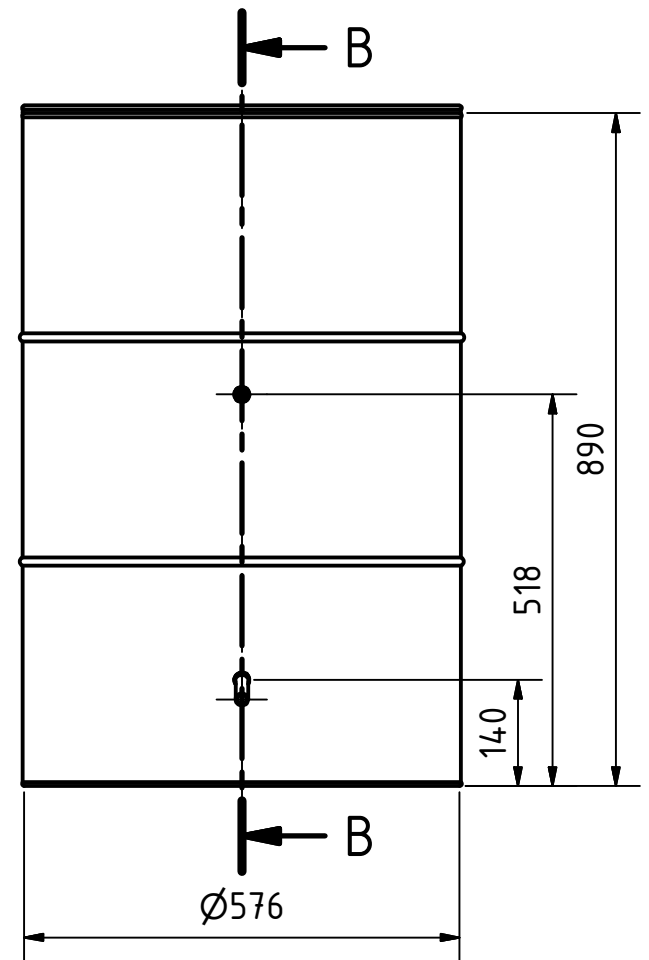
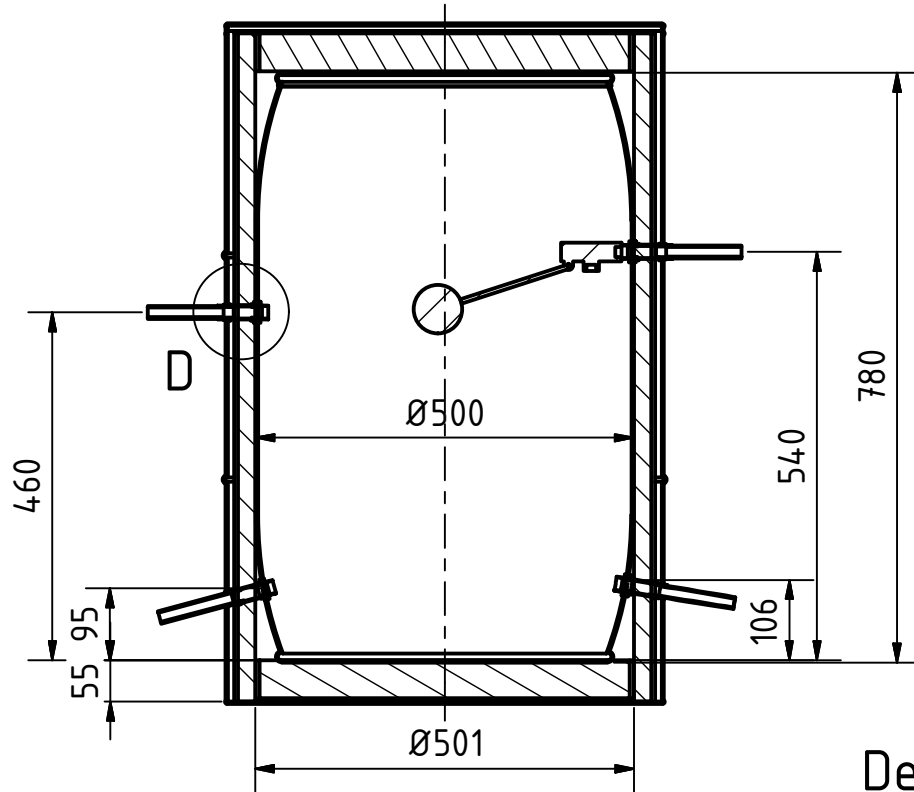
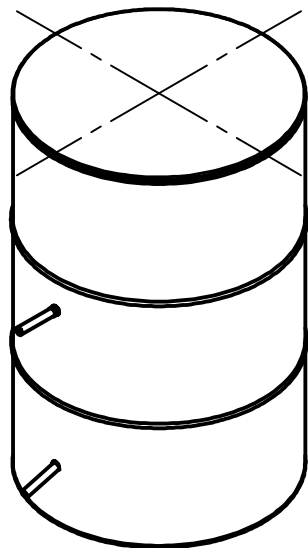
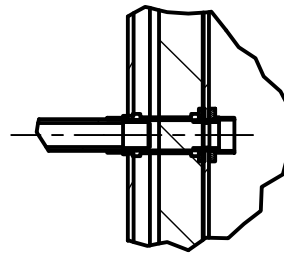



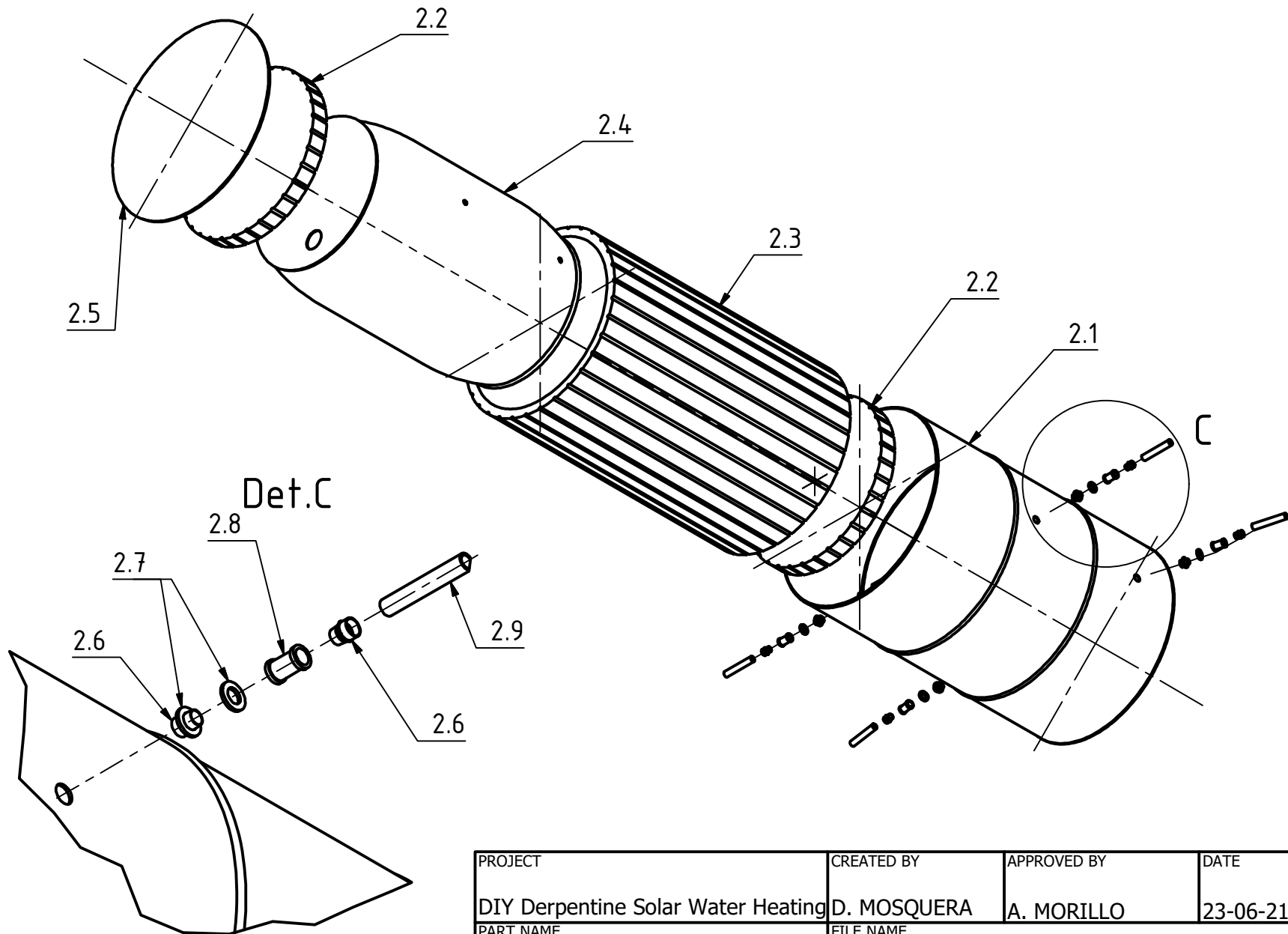
# Secc.B-B



## Det.D



PROJECT	CREATED BY	APPROVED BY	DATE	VERSION
DIY Derpentine Solar Water Heating	D. MOSQUERA	A. MORILLO	23-06-21	1.0
PART NAME	FILE NAME			PART CODE
Hot water tank	aid_dswh_hot-water-tank.iam			2.0
DEVELOPED BY	REDESIGNED BY	DOC. TYPE	MATERIAL	QUANTITY
Appropriate Infrastructure Development Group	 OSEG	ASSEMBLY		1
		LICENCE	SCALE	SHEET
		CC-BY-SA 4.0	1:10	17 /30



PROJECT	CREATED BY	APPROVED BY	DATE	VERSION
DIY Derpentine Solar Water Heating	D. MOSQUERA	A. MORILLO	23-06-21	1.0
PART NAME	FILE NAME			PART CODE
Hot water tank	aid_dswh_hot-water-tank.ipn			2.0
DEVELOPED BY	REDESIGNED BY	DOC. TYPE	MATERIAL	QUANTITY
		ASSEMBLY		1
Appropriate Infrastructure Development Group	OSEG	LICENCE	SCALE	SHEET
		CC-BY-SA 4.0	1:15	18 /30