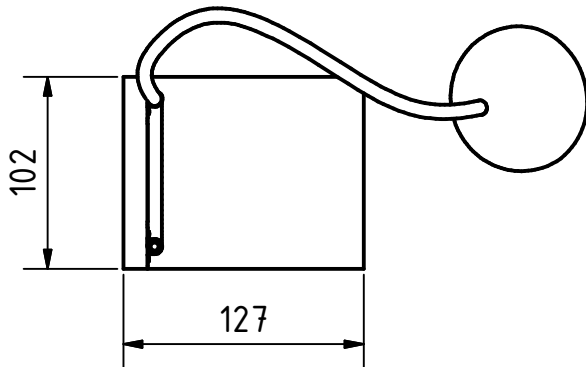



ELEVATION (1 : 4)

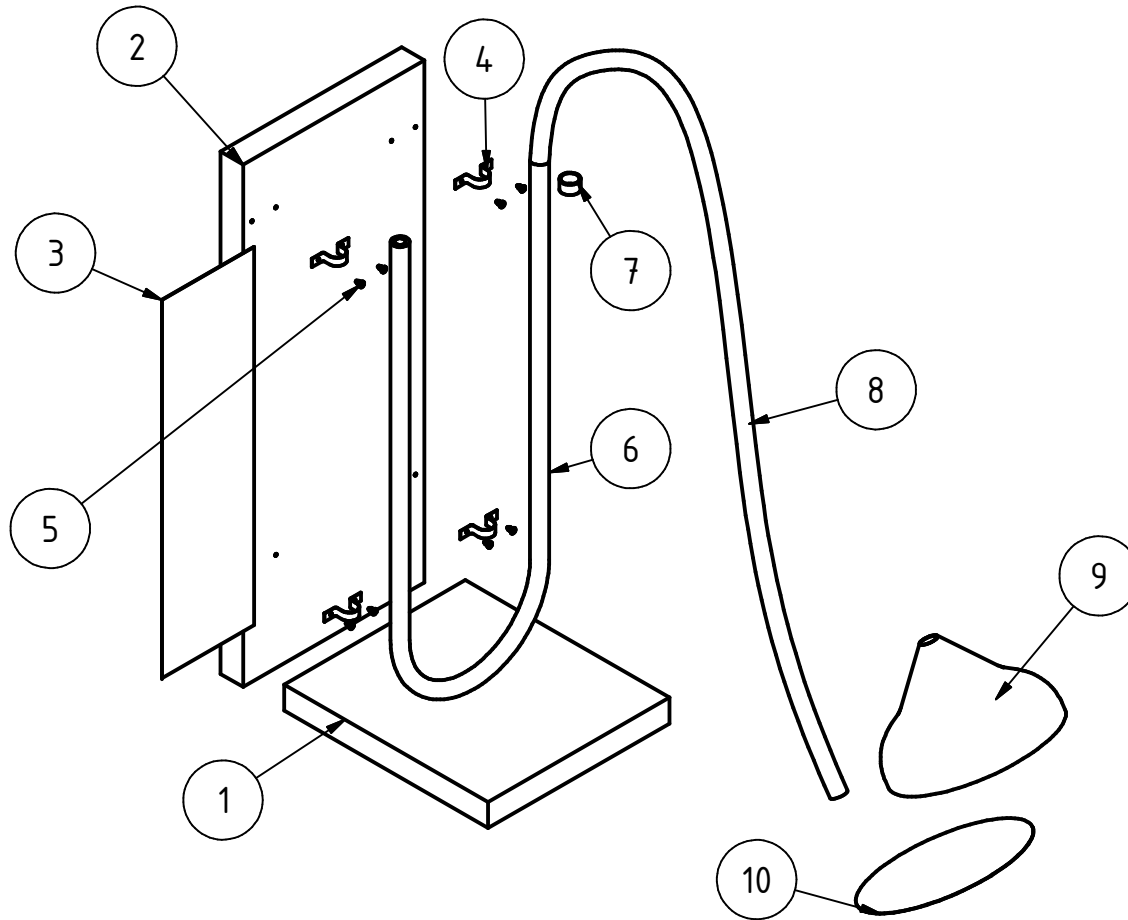


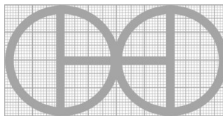
PLAN (1 : 4)

Note: all units are in mm

PROJECT		CREATED BY		APPROVED BY		DATE		VERSION		
TUBE MANOMETER		J. ZERON		D. JAEGER		30-05-2021		1.0		
PART NAME		FILE NAME								PART CODE
3D Views		tube-manometer.iam								A1
DEVELOPED BY		REDESIGNED BY		SUPPORTED BY		DOC. TYPE		MATERIAL		QUANTITY
						ASSEMBLY				
AMERICAN PEACE CORPS		OHO e.V.				LICENCE		SCALE		SHEET
						CC-BY-SA 4.0		1:4		1 / 5

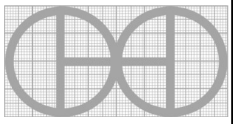
EXPLOSION (1 : 3)



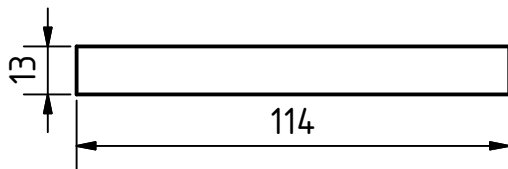
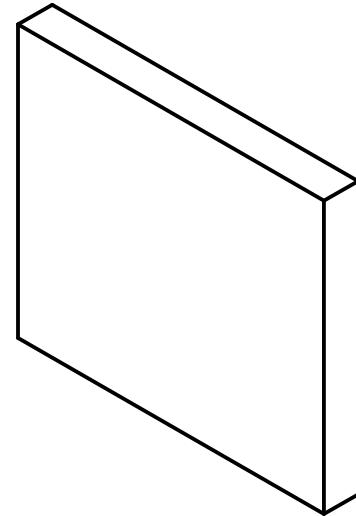
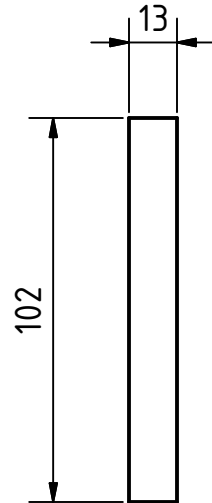
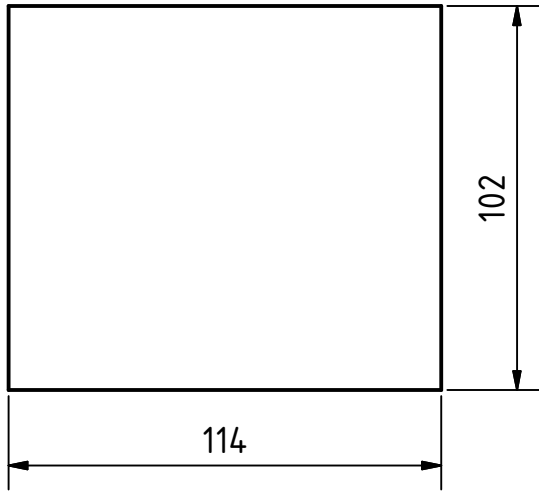
PROJECT		CREATED BY		APPROVED BY		DATE		VERSION	
TUBE MANOMETER		J. ZERON		D. JAEGER		30-05-2021		1.0	
PART NAME				FILE NAME				PART CODE	
Exploded 3D View				tube-manometer.ipn				A2	
DEVELOPED BY		REDESIGNED BY		SUPPORTED BY		DOC. TYPE		MATERIAL	
						ASSEMBLY			
AMERICAN PEACE CORPS		OHO e.V.				LICENCE		SCALE	
						CC-BY-SA 4.0		1:3	
								QUANTITY	
								-	
								SHEET	
								2 / 5	

PARTS LIST

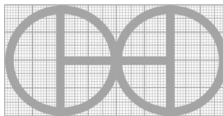
POS	QTY	PART NAME	FILE NAME	PART TYPE	SPECIFICATIONS	SHEET
A1	-	3D Views	tube-manometer.iam	-	-	1
A2	-	Exploded 3D View	tube-manometer.ipn	-	-	2
B1	-	Part List	apc_tm_tube-manometer.csv	-	-	3
1	1	Base	Base.ipt	Production	Plywood 13 mm	4
2	1	Vertical Support	Vertical Support.ipt	Production	Plywood 13 mm	5
3	1	Panel	Panel.ipt	Buy	Graph Paper	6
4	4	Zuncho Clip	Zuncho Clip.ipt	Buy	Spring steel, Length 38 mm	-
5	8	ANSI B18.6.4 - 0.48 - 0,125	-	Standard	Slotted Courtersunk Flat Head Self Tapping Screw - Type BT	-
6	1	Polyethylene Hose	Polyethylene Hose.ipt	Buy	Diemeter 1" - Length 500 mm	-
7	1	Hose Connector	Hose Connector.ipt	Buy	Diameter 1"	-
8	1	Rubber Hose	Rubber Hose.ipt	Buy	Diameter 1" - Length 600 mm	-
9	1	Funnel	Funnel.ipt	Buy	Diameter 75 mm	-
10	1	Rubber Ballon	Rubber Ballon.ipt	Buy	-	-

PROJECT		CREATED BY	APPROVED BY	DATE	VERSION
TUBE MANOMETER		J. ZERON	D. JAEGER	30-05-2021	1.0
PART NAME		FILE NAME			PART CODE
Part List		apc_tm_tube-manometer.csv			B1
DEVELOPED BY	REDESIGNED BY	SUPPORTED BY	DOC. TYPE	MATERIAL	QUANTITY
			PART LIST		-
AMERICAN PEACE CORPS		OHO e.V.		LICENCE	SCALE
		CC-BY-SA 4.0			SHEET
					3 / 5

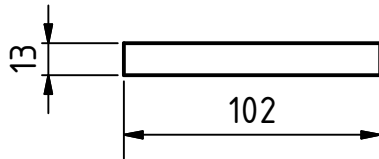
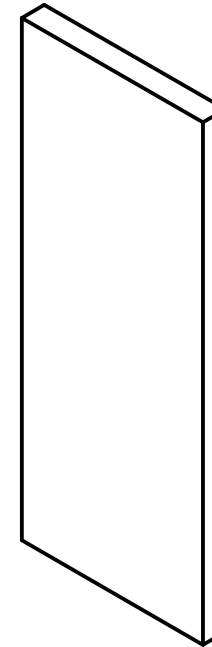
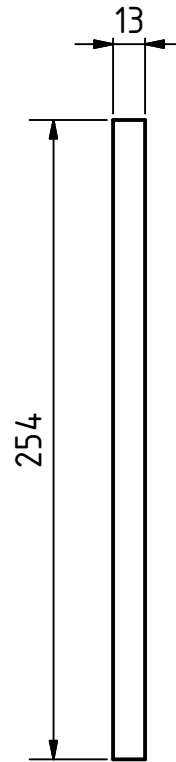
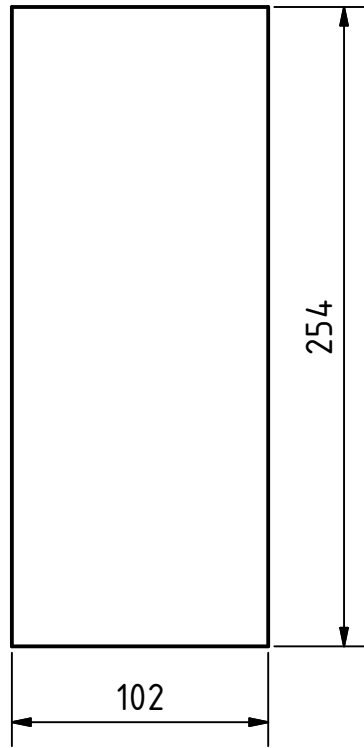
PLAN (1 : 2)



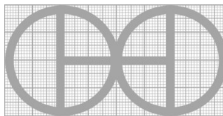
Note: All units are in mm

PROJECT		CREATED BY	APPROVED BY	DATE	VERSION
TUBE MANOMETER		J. ZERON	D. JAEGER	30-05-2021	1.0
PART NAME		FILE NAME			PART CODE
Base		Base.ipt			1
DEVELOPED BY	REDESIGNED BY	SUPPORTED BY	DOC. TYPE	MATERIAL	QUANTITY
			PART	Plywood	1
AMERICAN PEACE CORPS		OHO e.V.	LICENCE	SCALE	SHEET
			CC-BY-SA 4.0	1:2	4 / 5

PLAN (1 : 3)



Note: All units are in mm

PROJECT		CREATED BY	APPROVED BY	DATE	VERSION
TUBE MANOMETER		J. ZERON	D. JAEGER	30-05-2021	1.0
PART NAME		FILE NAME			PART CODE
Vertical Support		Vertical Support.ipt			2
DEVELOPED BY	REDESIGNED BY	SUPPORTED BY	DOC. TYPE	MATERIAL	QUANTITY
			PART	Plywood	1
AMERICAN PEACE CORPS OHO e.V.			LICENCE	SCALE	SHEET
			CC-BY-SA 4.0	1:3	5 / 5