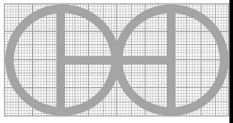
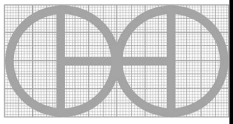
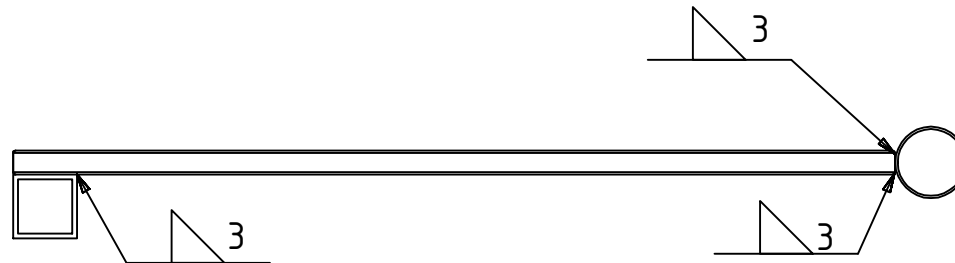
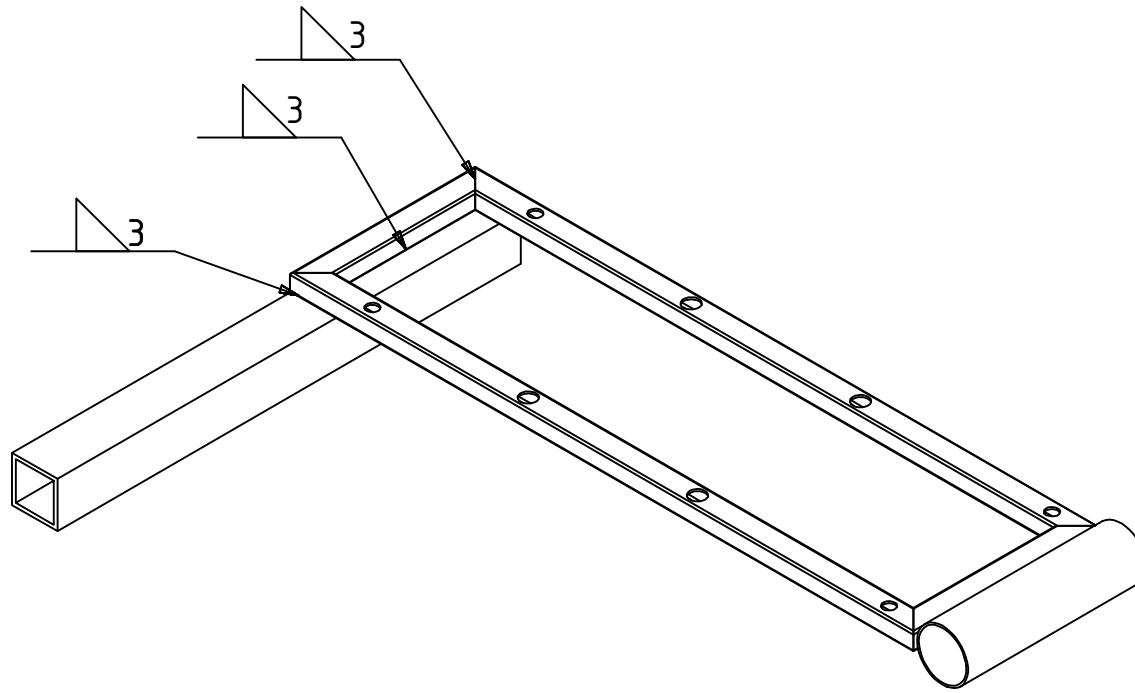
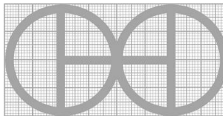


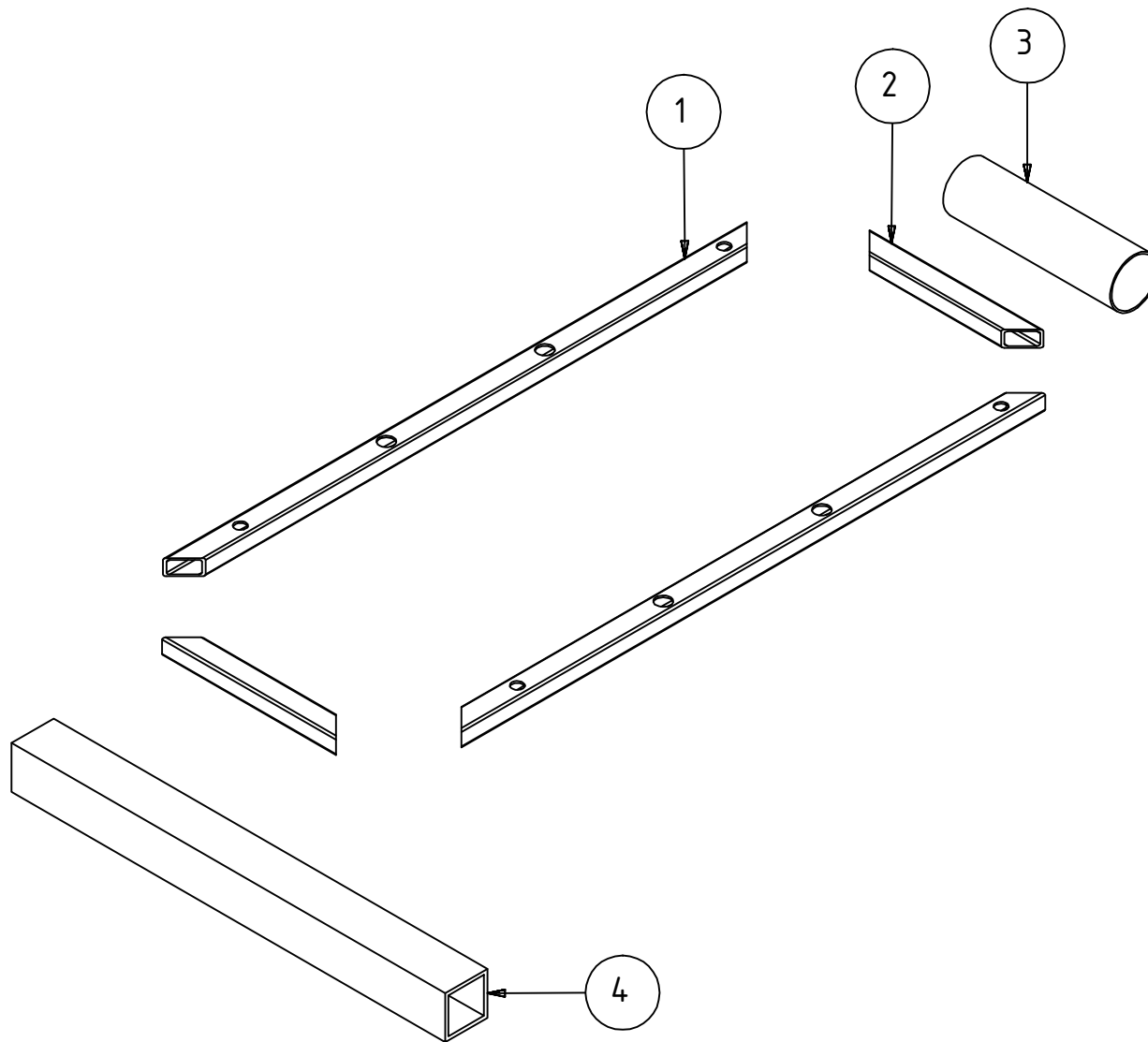
PROJECT		CREATED BY	APPROVED BY	DATE	VERSION
PROJECT NAME		A. PARDO	D. JAEGER	01/05/2018	1.0
PART NAME		FILE NAME			PART CODE
CORN MILL		molino.iam			A1
DEVELOPED BY	REDESIGNED BY	SUPPORTED BY	DOC. TYPE	MATERIAL	QUANTITY
			ASSEMBLY		1
	OH0 e.V.		LICENCE	SCALE	SHEET
			CC-BY-SA 4.0		1 /32

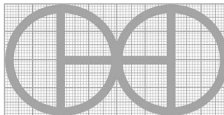
PART LIST							
POS	POS.OLD	QTY	PART NAME	FILE NAME	PART TYPE	SPECIFICATIONS	SHEET
A1		1	CORN MILL	molino.iam			1
B1			PART LIST				2
1.0		1	Base Frame	marco base.iam			3-4
1.1		2	Profile1.1	marco1.ipt	Production	A36	5
1.2		2	Profile1.3	marco2.ipt	Production	A36	6
1.3		1	Profile1.3	Tube redondo 1 1_8.ipt	Production	A36, Tube 1 1/8	7
1.4		1	Profile1.4	Tube1x1.ipt	Production	A36, 1*1"	8
2.0		1	Lower duct				9-10
2.1		2	Plate1	tolba inferior2.ipt	Production	C45	11
2.2		2	Plate2	tolba inferior1.ipt	Production	C45	12
2.3		2	Profile2.3		Production	A36	13
2.4		2	Profile2.4		Production	A36	14
3.0		1	Disc-pulley	dico polea.ipn			15
3.1		1	Pulley	Polea Doble.ipt	Buy	C45	16
3.2		1	Shaft	eje.ipt	Production	C45 Hardened	17
3.3		5	Pin	pasador.ipt	Standard	Pin, 47*11	
3.4		2	Key	cuna.ipt	Standard	Key, 41*6	
3.5		8	Hammer	martillo.ipt	Production	C45 Hardened	18
3.6		5	Disc	dico polea.ipt	Production	C45	19
3.7		1	Bush Tapered	bocina.ipt	Buy	20*32*52, Bronze	20
3.8		4	Spacer	separador.ipt	Production	C45	21
4.0		1	Upper Hoper				22
4.1		2	Sheet1	lateral tolba1.ipt	Production	C45	23
4.2		2	Sheet2		Production	C45	24
4.3		2	Sheet3	lateral tolba3.ipt	Production	C45	25
4.4		2	Sheet4	lateral tolba4.ipt	Production	C45	26
4.5		4	Sheet5	lateral tolba5.ipt	Production	C45	27
4.6		1	Sheet6	lateral tolba6.ipt	Production	C45	28
4.7		1	Sheet7	lateral tolba7.ipt	Production	C45	29
4.8		1	Sheet8	lateral tolba8.ipt	Production	C45	30
4.9		1	Gate	compuerta.ipt	Production	C45	31
4.10		1	Lever	palanca.ipt	Production	A36	32

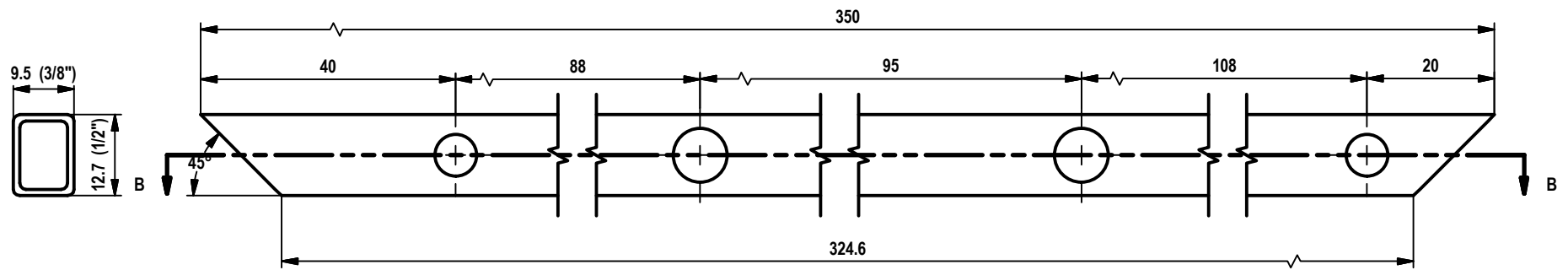
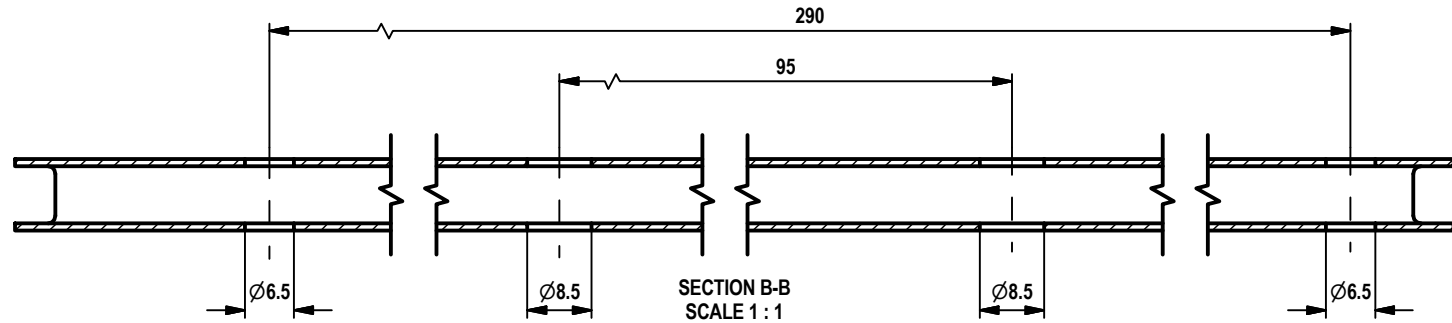
PROJECT		CREATED BY	APPROVED BY	DATE	VERSION
PROJECT NAME		A. PARDO	D. JAEGER	01/05/2018	1.0
PART NAME		FILE NAME			PART CODE
PART LIST					B1
DEVELOPED BY	REDESIGNED BY	SUPPORTED BY	DOC. TYPE	MATERIAL	QUANTITY
			PART LIST		
	OH0 e.V.		LICENCE	SCALE	SHEET
			CC-BY-SA 4.0		2 /32

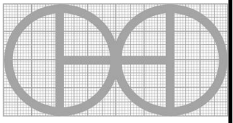


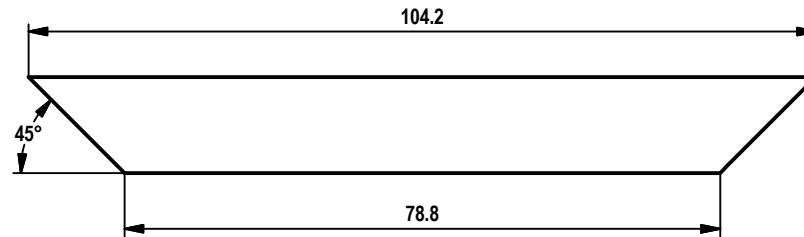
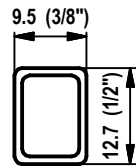
PROJECT		CREATED BY	APPROVED BY	DATE	VERSION
PROJECT NAME		A. PARDO	D. JAEGER	01/05/2018	1.0
PART NAME		FILE NAME			PART CODE
Base Frame		marco base.iam			1.0
DEVELOPED BY	REDESIGNED BY	SUPPORTED BY	DOC. TYPE	MATERIAL	QUANTITY
			ASSEMBLY		1
	OHO e.V.		LICENCE	SCALE	SHEET
			CC-BY-SA 4.0		3 /32

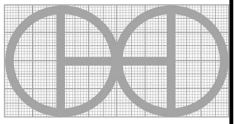


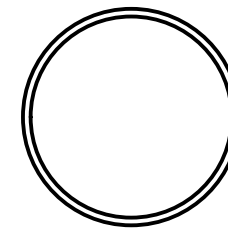
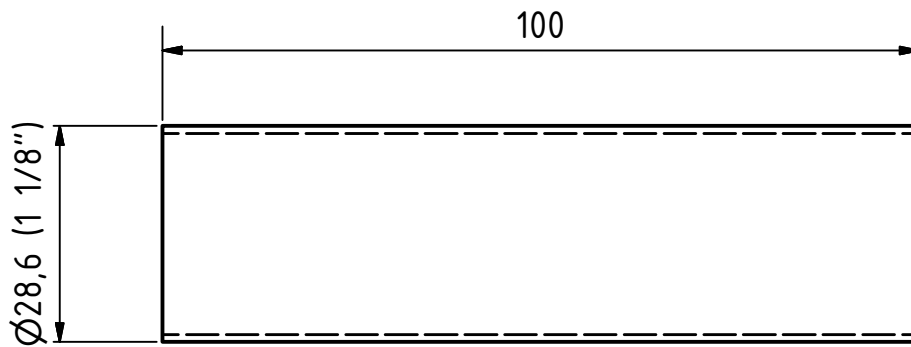
PROJECT		CREATED BY	APPROVED BY	DATE	VERSION
PROJECT NAME		A. PARDO	D. JAEGER	01/05/2018	1.0
PART NAME		FILE NAME			PART CODE
Base Frame		marco base.iam			1.0
DEVELOPED BY	REDESIGNED BY	SUPPORTED BY	DOC. TYPE	MATERIAL	QUANTITY
			ASSEMBLY		1
	OH0 e.V.		LICENCE	SCALE	SHEET
			CC-BY-SA 4.0		4 /32

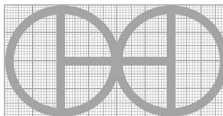


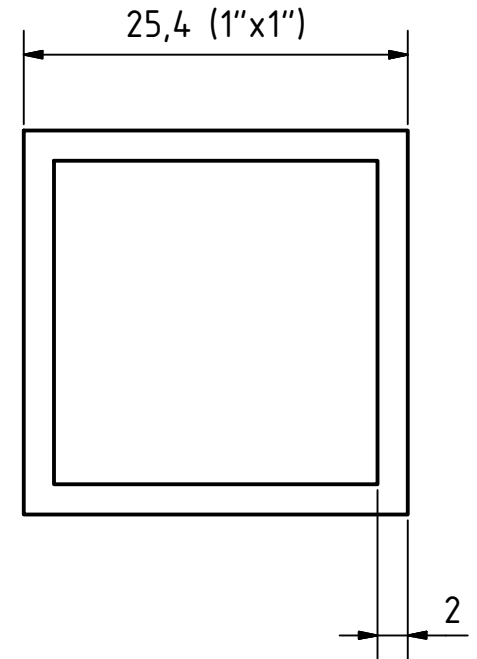
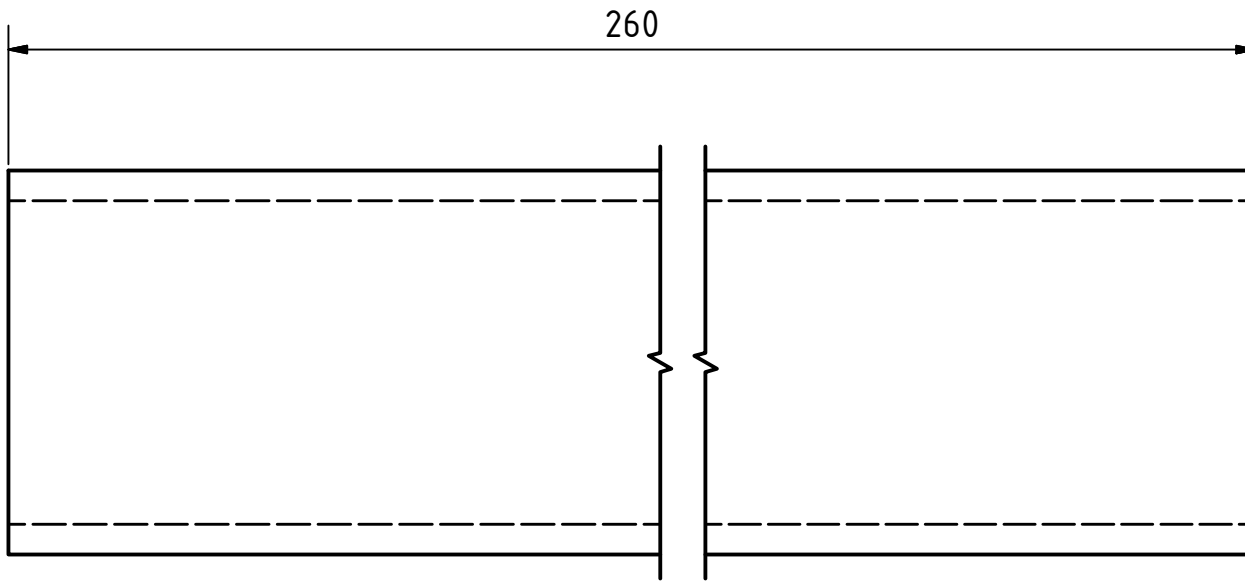
PROJECT		CREATED BY	APPROVED BY	DATE	VERSION
PROJECT NAME		A. PARDO	D. JAEGER	01/05/2018	1.0
PART NAME		FILE NAME			PART CODE
Profile1.1		marco1.ipt			1.1
DEVELOPED BY	REDESIGNED BY	SUPPORTED BY	DOC. TYPE	MATERIAL	QUANTITY
			PART	A36	2
	OHO e.V.		LICENCE	SCALE	SHEET
			CC-BY-SA 4.0		5 /32

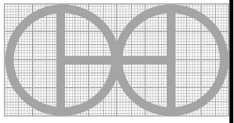


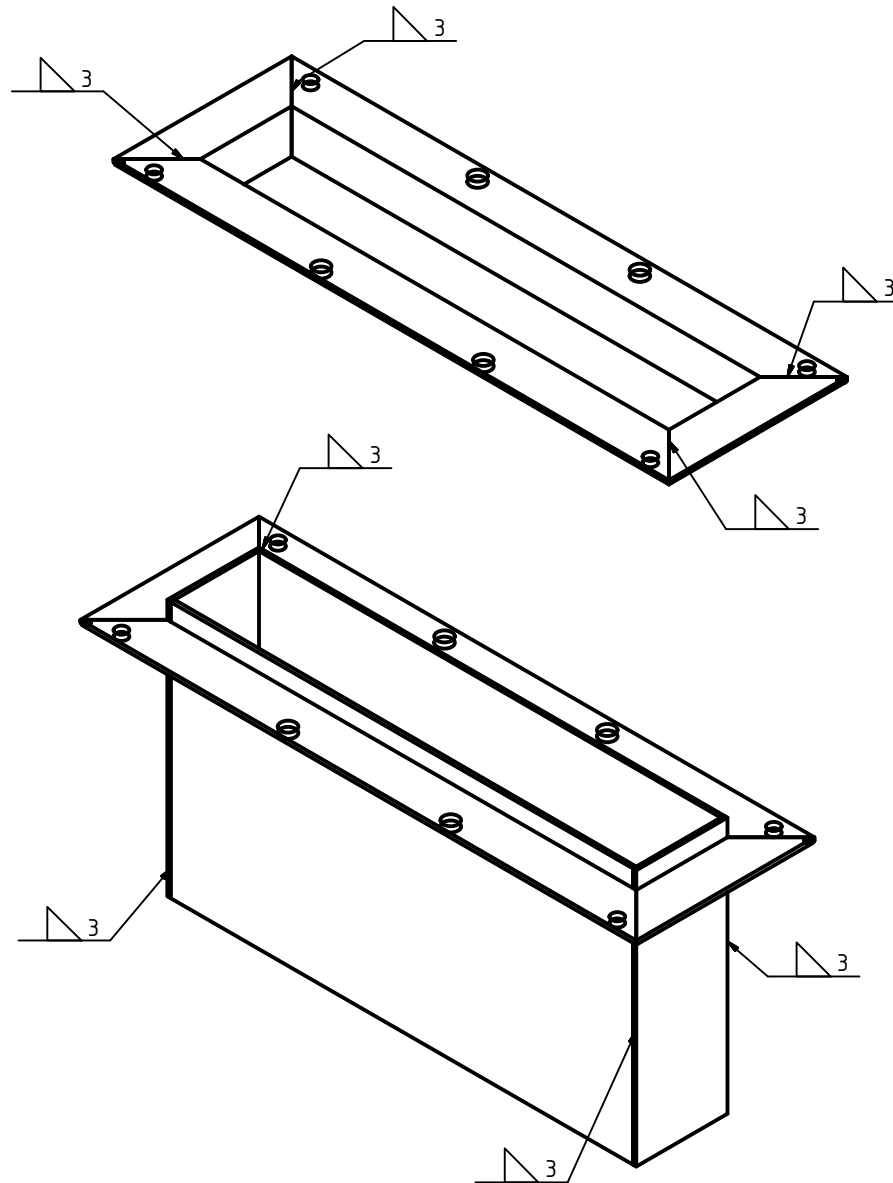
PROJECT		CREATED BY	APPROVED BY	DATE	VERSION
PROJECT NAME		A. PARDO	D. JAEGER	01/05/2018	1.0
PART NAME		FILE NAME			PART CODE
Profile1.2		marco2.ipt			1.2
DEVELOPED BY	REDESIGNED BY	SUPPORTED BY	DOC. TYPE	MATERIAL	QUANTITY
	 OHO e.V.		PART	A36	2
			LICENCE	SCALE	SHEET
			CC-BY-SA 4.0		6 /32

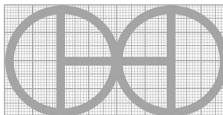


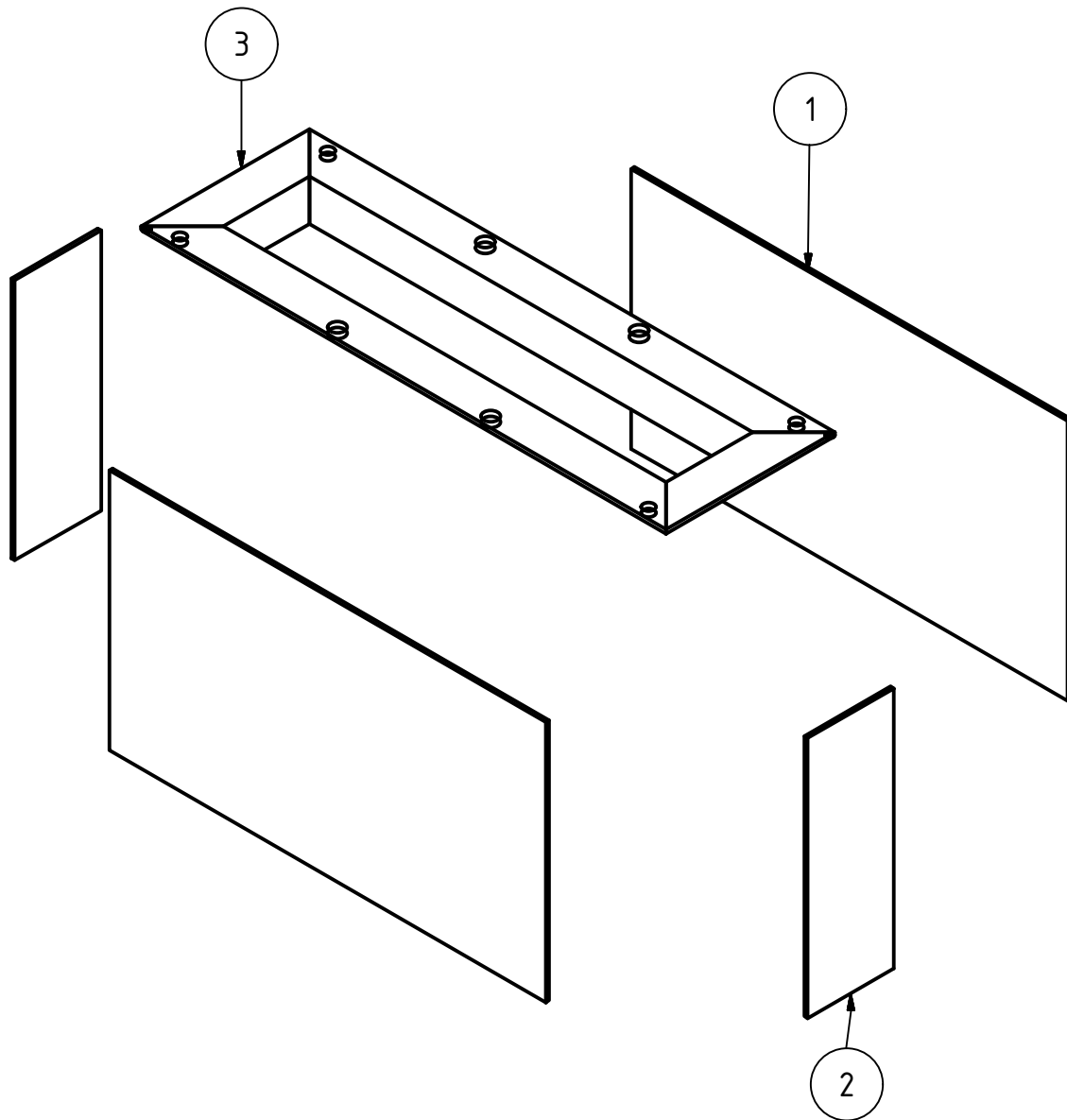
PROJECT		CREATED BY	APPROVED BY	DATE	VERSION
PROJECT NAME		A. PARDO	D. JAEGER	01/05/2018	1.0
PART NAME		FILE NAME			PART CODE
Profile1.3		Tubo redondo 1 1_8.ipt			1.3
DEVELOPED BY	REDESIGNED BY	SUPPORTED BY	DOC. TYPE	MATERIAL	QUANTITY
			PART	A36	1
	OHO e.V.		LICENCE	SCALE	SHEET
			CC-BY-SA 4.0		7 /32

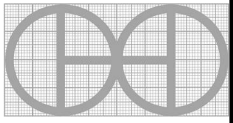


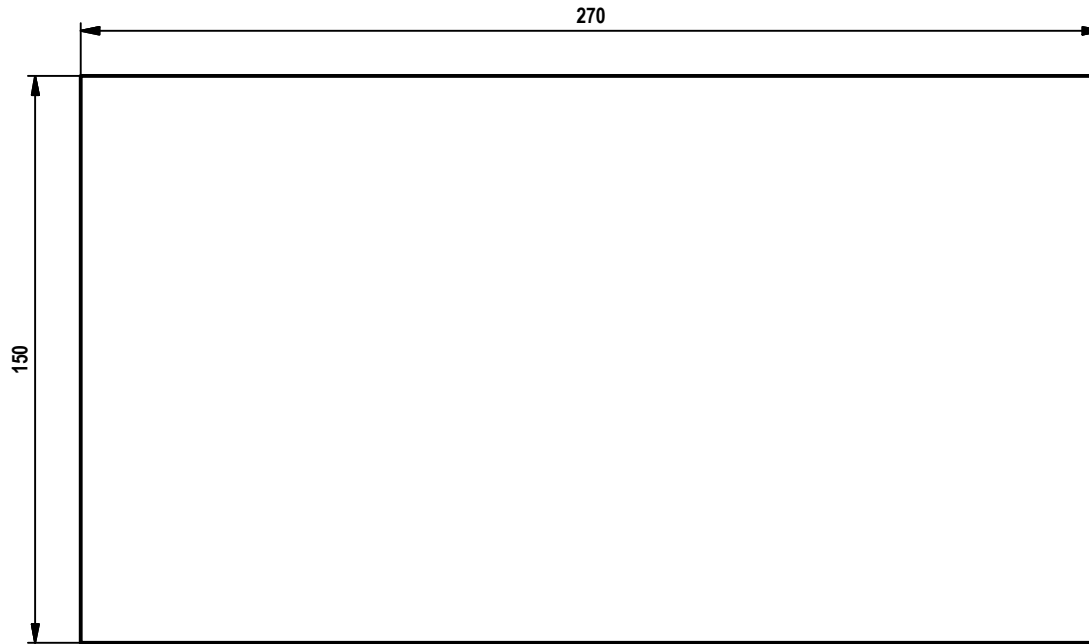
PROJECT		CREATED BY	APPROVED BY	DATE	VERSION
PROJECT NAME		A. PARDO	D. JAEGER	01/05/2018	1.0
PART NAME		FILE NAME			PART CODE
Profile1.4		Tubo1x1.ipt			1.4
DEVELOPED BY	REDESIGNED BY	SUPPORTED BY	DOC. TYPE	MATERIAL	QUANTITY
			PART	A36	1
	OHO e.V.		LICENCE	SCALE	SHEET
			CC-BY-SA 4.0	1:1	8 /32

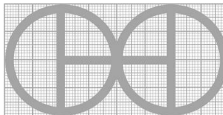


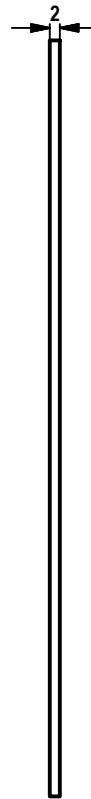
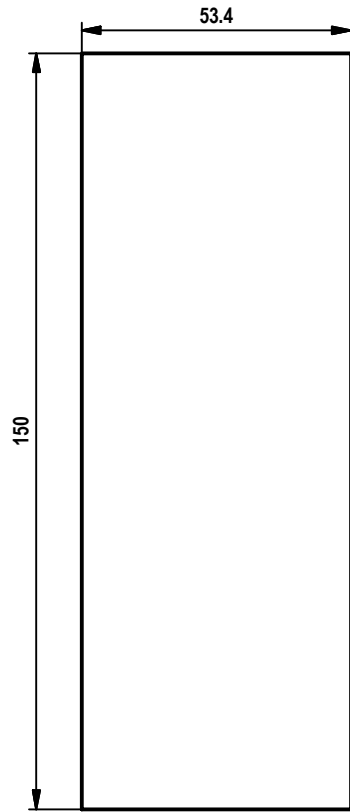
PROJECT		CREATED BY	APPROVED BY	DATE	VERSION
PROJECT NAME		A. PARDO	D. JAEGER	01/05/2018	1.0
PART NAME		FILE NAME			PART CODE
Lower duct					2.0
DEVELOPED BY	REDESIGNED BY	SUPPORTED BY	DOC. TYPE	MATERIAL	QUANTITY
			ASSEMBLY		1
	OH0 e.V.		LICENCE	SCALE	SHEET
			CC-BY-SA 4.0		9 /32

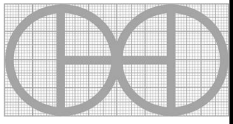


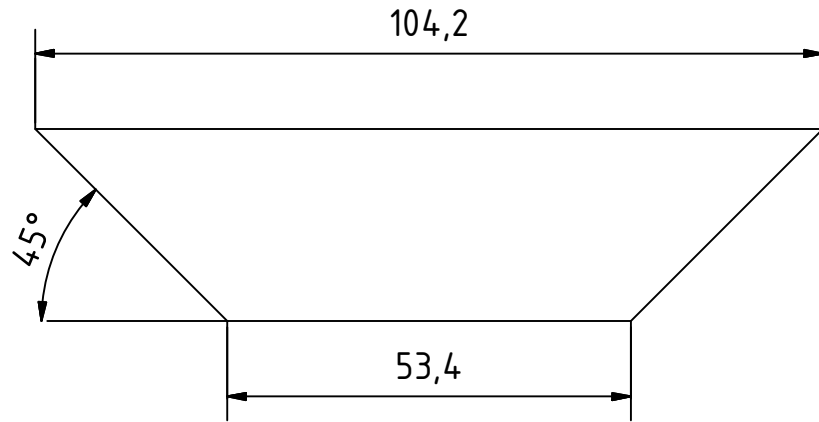
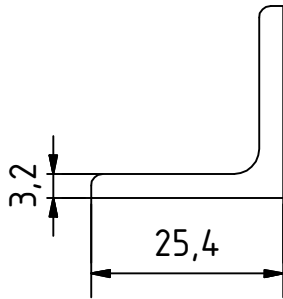
PROJECT		CREATED BY	APPROVED BY	DATE	VERSION
PROJECT NAME		A. PARDO	D. JAEGER	01/05/2018	1.0
PART NAME		FILE NAME			PART CODE
Lower duct					2.0
DEVELOPED BY	REDESIGNED BY	SUPPORTED BY	DOC. TYPE	MATERIAL	QUANTITY
			ASSEMBLY		1
	OH0 e.V.		LICENCE	SCALE	SHEET
			CC-BY-SA 4.0		10 /32

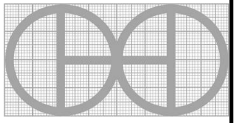


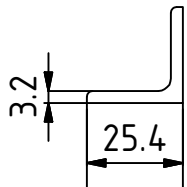
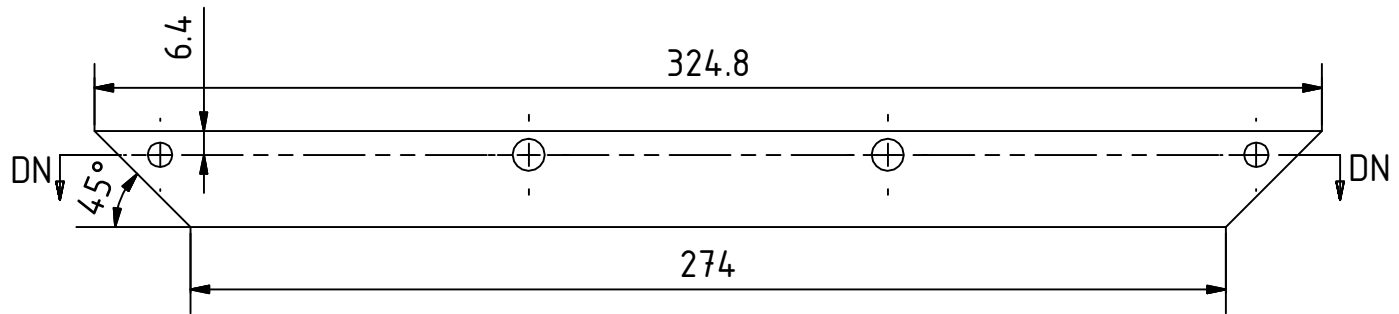
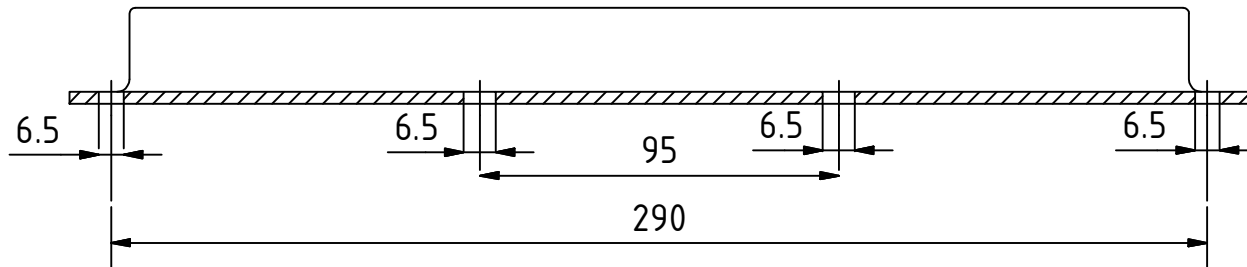
PROJECT		CREATED BY	APPROVED BY	DATE	VERSION
PROJECT NAME		A. PARDO	D. JAEGER	01/05/2018	1.0
PART NAME		FILE NAME			PART CODE
Plate1		tolba inferior2.ipt			2.1
DEVELOPED BY	REDESIGNED BY	SUPPORTED BY	DOC. TYPE	MATERIAL	QUANTITY
			PART	C45	2
	OHO e.V.		LICENCE	SCALE	SHEET
			CC-BY-SA 4.0		11 /32

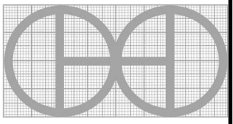


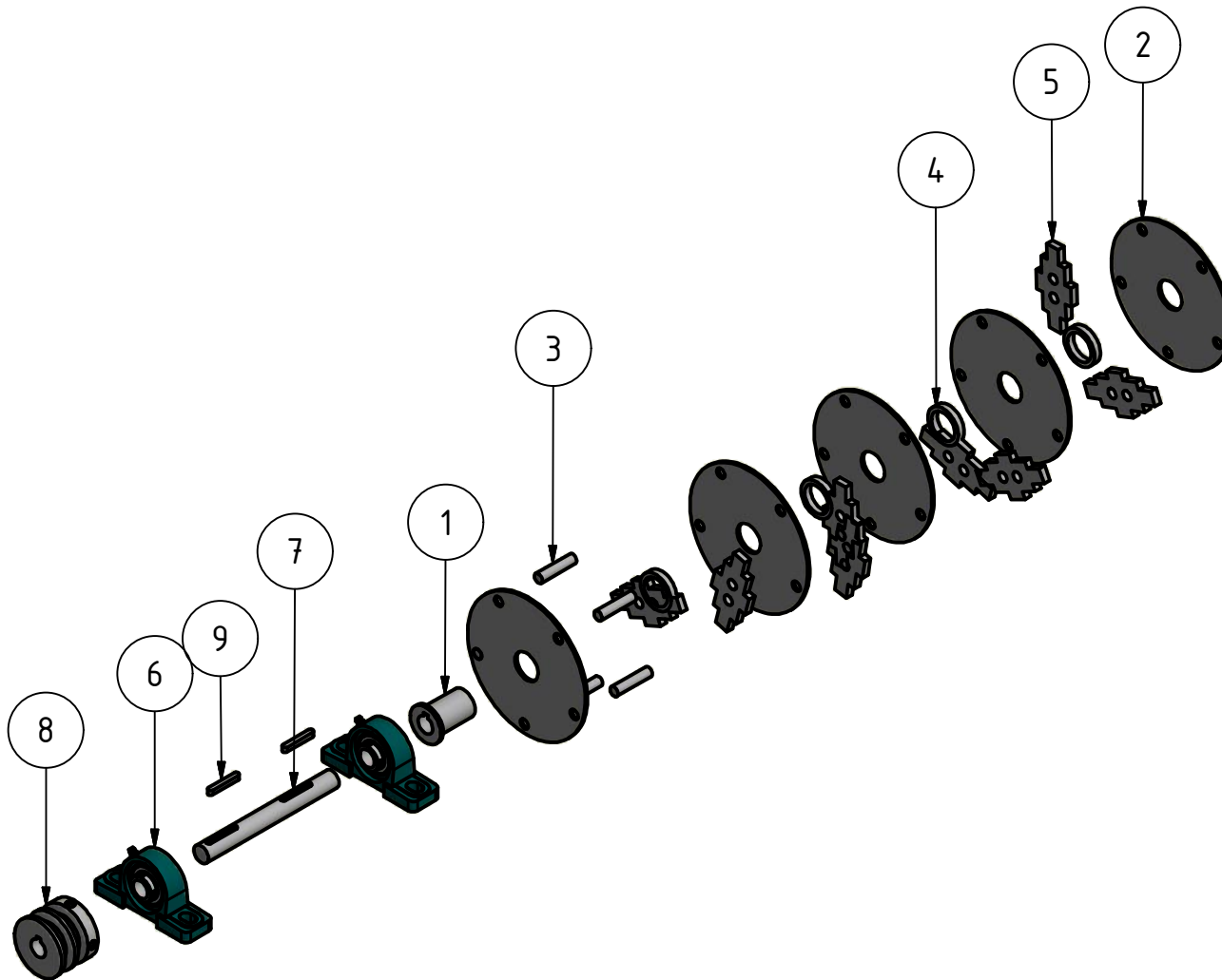
PROJECT		CREATED BY	APPROVED BY	DATE	VERSION
PROJECT NAME		A. PARDO	D. JAEGER	01/05/2018	1.0
PART NAME		FILE NAME			PART CODE
Plate2		tolba inferior1.ipt			2.2
DEVELOPED BY	REDESIGNED BY	SUPPORTED BY	DOC. TYPE	MATERIAL	QUANTITY
			PART	C45	2
	OHO e.V.		LICENCE	SCALE	SHEET
			CC-BY-SA 4.0		12 /32

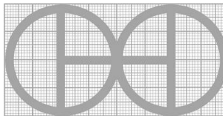


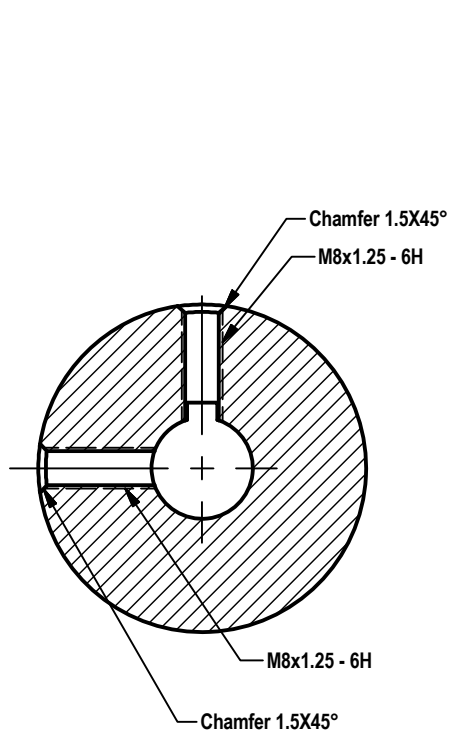
PROJECT		CREATED BY	APPROVED BY	DATE	VERSION
PROJECT NAME		A. PARDO	D. JAEGER	01/05/2018	1.0
PART NAME		FILE NAME			PART CODE
Profile2.3					2.3
DEVELOPED BY	REDESIGNED BY	SUPPORTED BY	DOC. TYPE	MATERIAL	QUANTITY
			PART	A36	2
	OHO e.V.		LICENCE	SCALE	SHEET
			CC-BY-SA 4.0		13 /32



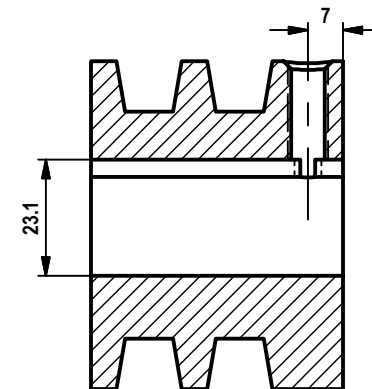
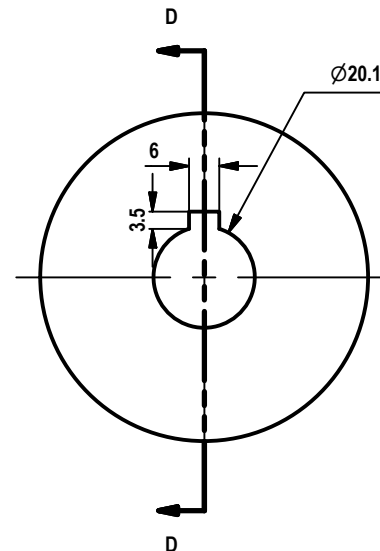
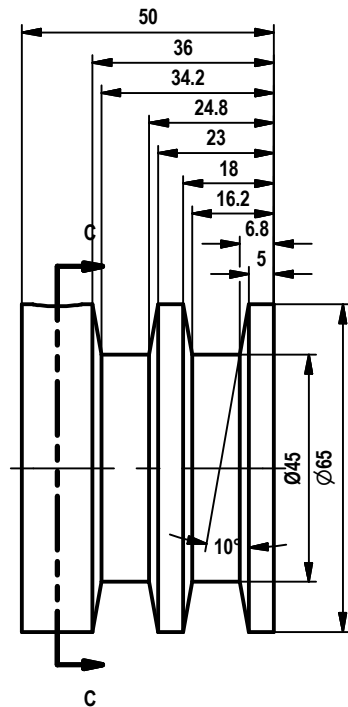
PROJECT		CREATED BY	APPROVED BY	DATE	VERSION
PROJECT NAME		A. PARDO	D. JAEGER	01/05/2018	1.0
PART NAME		FILE NAME			PART CODE
Profile2.4					2.4
DEVELOPED BY	REDESIGNED BY	SUPPORTED BY	DOC. TYPE	MATERIAL	QUANTITY
			PART	A36	2
	OHO e.V.		LICENCE	SCALE	SHEET
			CC-BY-SA 4.0		14 /32



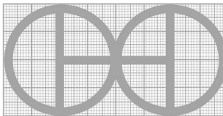
PROJECT		CREATED BY	APPROVED BY	DATE	VERSION
PROJECT NAME		A. PARDO	D. JAEGER	01/05/2018	1.0
PART NAME		FILE NAME			PART CODE
Disc-pulley		dico polea.ipn			3.0
DEVELOPED BY	REDESIGNED BY	SUPPORTED BY	DOC. TYPE	MATERIAL	QUANTITY
			ASSEMBLY		1
	OHO e.V.		LICENCE	SCALE	SHEET
			CC-BY-SA 4.0		15 /32

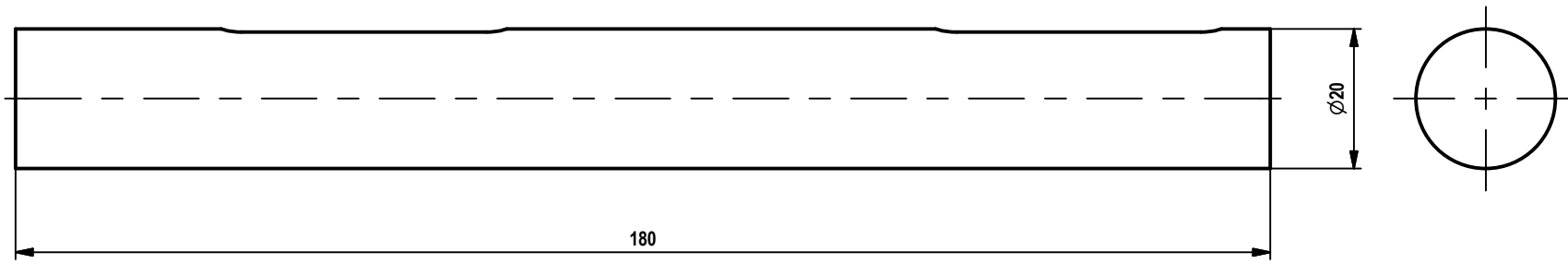
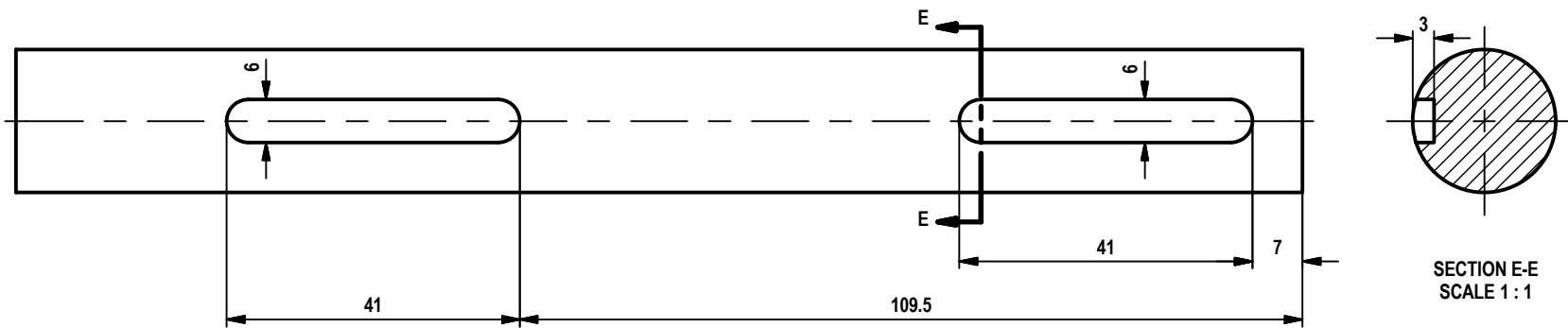


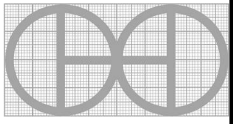
SECTION C-C
SCALE 1 : 1.5

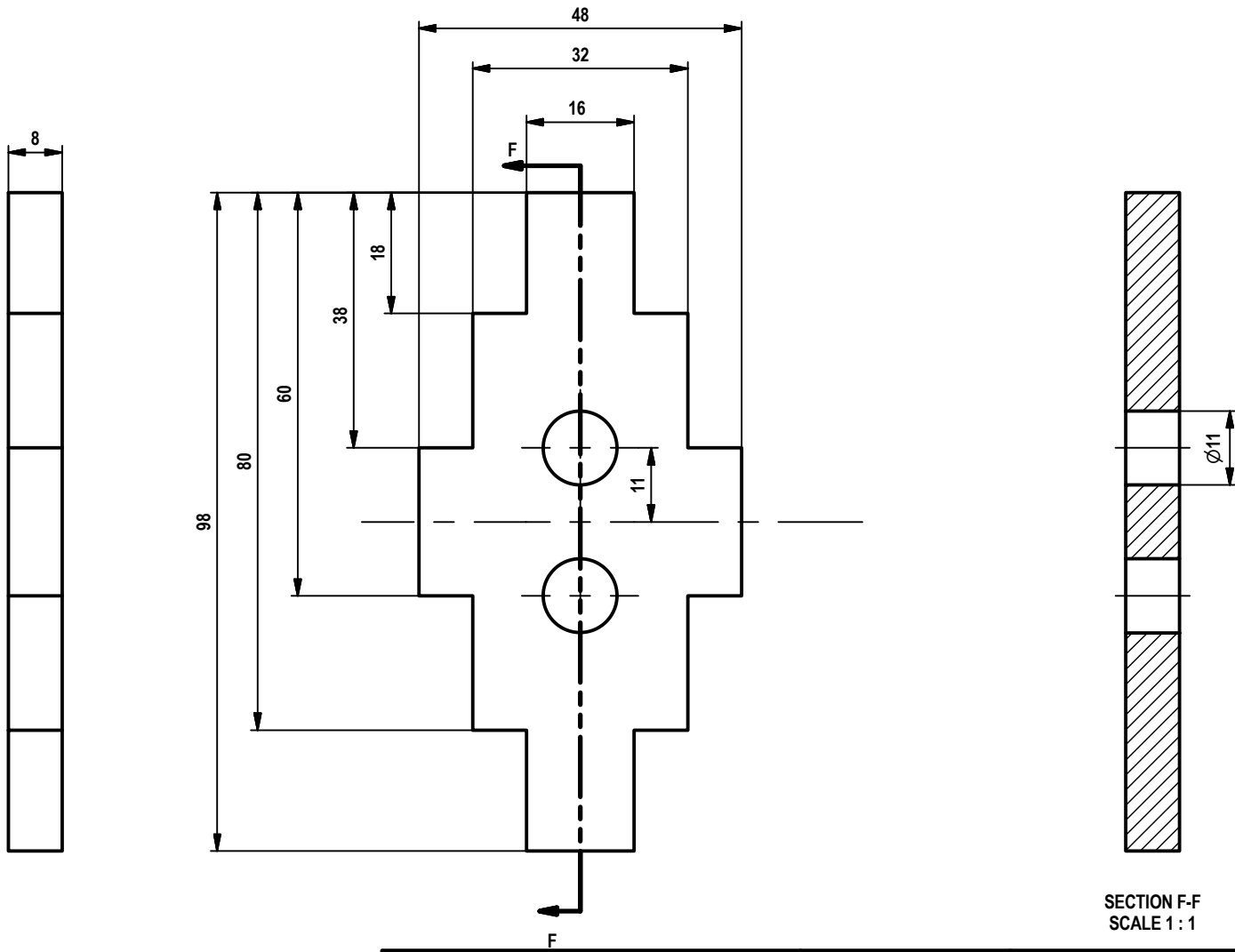


SECTION D-D
SCALE 1 : 1.5

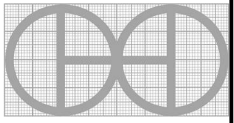
PROJECT		CREATED BY	APPROVED BY	DATE	VERSION
PROJECT NAME		A. PARDO	D. JAEGER	01/05/2018	1.0
PART NAME		FILE NAME			PART CODE
Pulley		Polea Doble.ipt			3.1
DEVELOPED BY	REDESIGNED BY	SUPPORTED BY	DOC. TYPE	MATERIAL	QUANTITY
			PART	C45	1
	OHO e.V.		LICENCE	SCALE	SHEET
			CC-BY-SA 4.0		16 /32

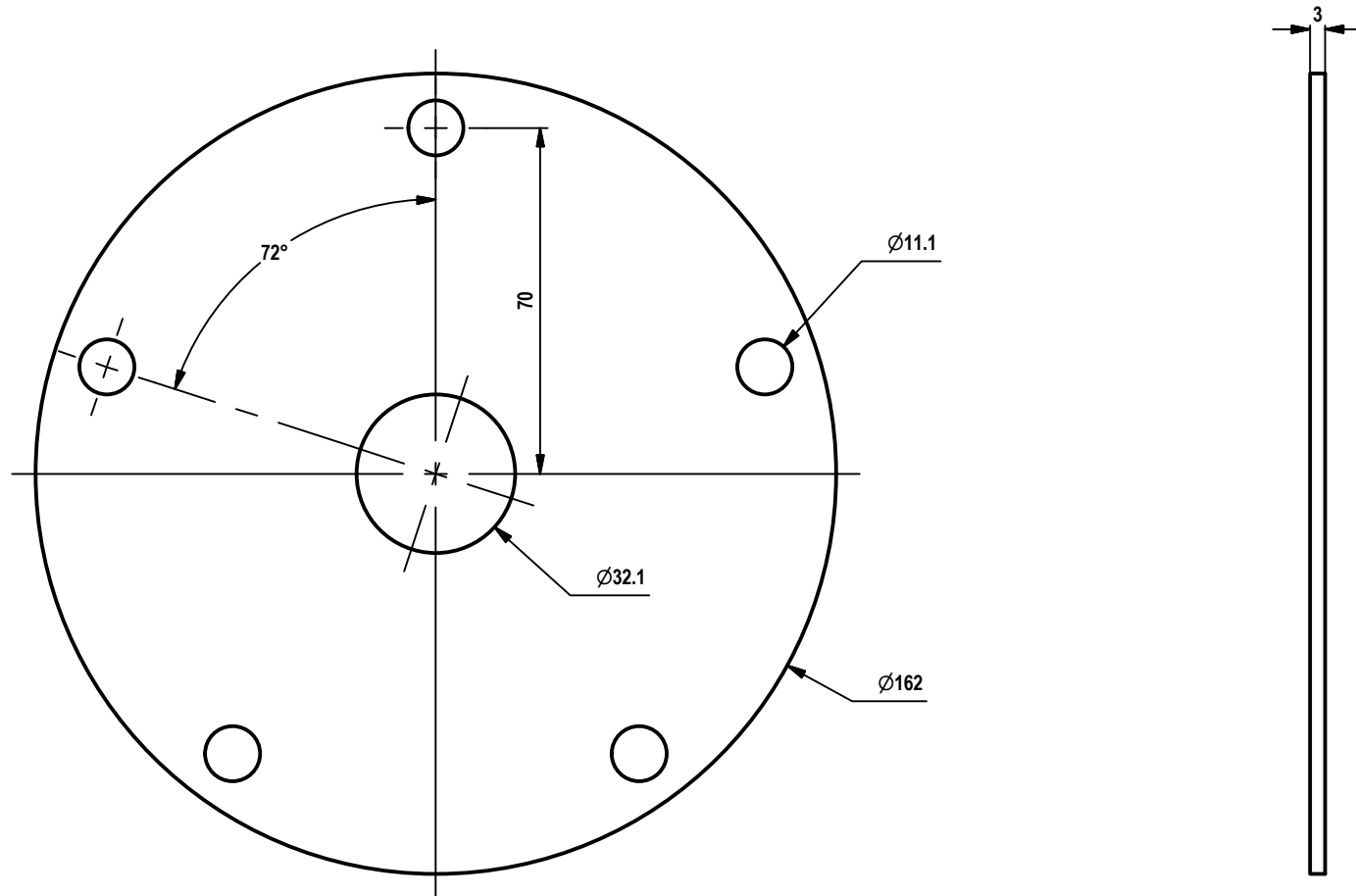


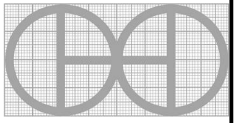
PROJECT		CREATED BY	APPROVED BY	DATE	VERSION
PROJECT NAME		A. PARDO	D. JAEGER	01/05/2018	1.0
PART NAME		FILE NAME			PART CODE
Shaft		eje.ipt			3.2
DEVELOPED BY	REDESIGNED BY	SUPPORTED BY	DOC. TYPE	MATERIAL	QUANTITY
			PART	C45 Hardened	1
	OHO e.V.		LICENCE	SCALE	SHEET
			CC-BY-SA 4.0		17 /32

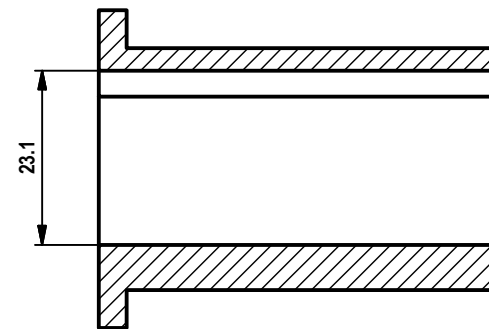
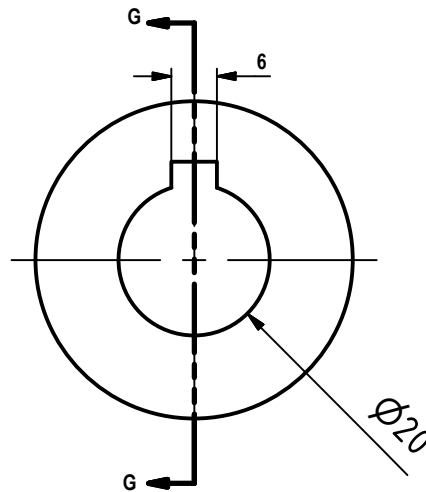
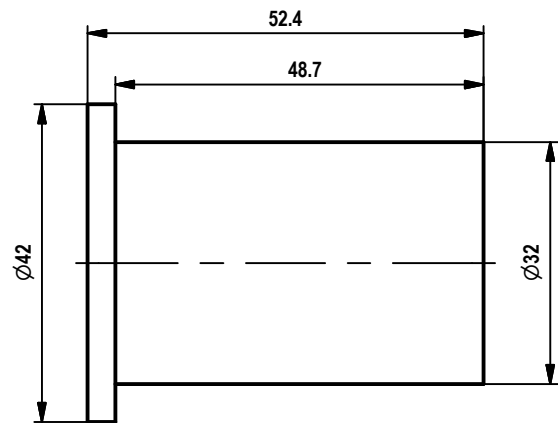


SECTION F-F
SCALE 1:1

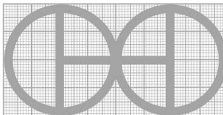
PROJECT		CREATED BY	APPROVED BY	DATE	VERSION
PROJECT NAME		A. PARDO	D. JAEGER	01/05/2018	1.0
PART NAME		FILE NAME			PART CODE
Hammer		martillo.ipt			3.5
DEVELOPED BY	REDESIGNED BY	SUPPORTED BY	DOC. TYPE	MATERIAL	QUANTITY
			PART	C45 Hardened	8
	OHO e.V.		LICENCE	SCALE	SHEET
			CC-BY-SA 4.0		18 /32

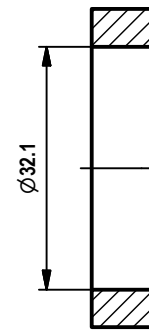
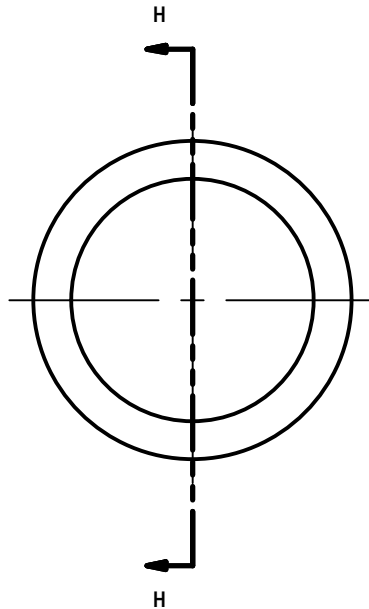
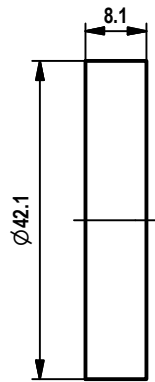


PROJECT		CREATED BY	APPROVED BY	DATE	VERSION
PROJECT NAME		A. PARDO	D. JAEGER	01/05/2018	1.0
PART NAME		FILE NAME			PART CODE
Disc		dico polea.ipt			3.6
DEVELOPED BY	REDESIGNED BY	SUPPORTED BY	DOC. TYPE	MATERIAL	QUANTITY
			PART	C45	5
	OHO e.V.		LICENCE	SCALE	SHEET
			CC-BY-SA 4.0		19 /32

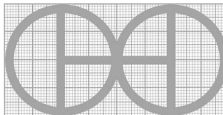


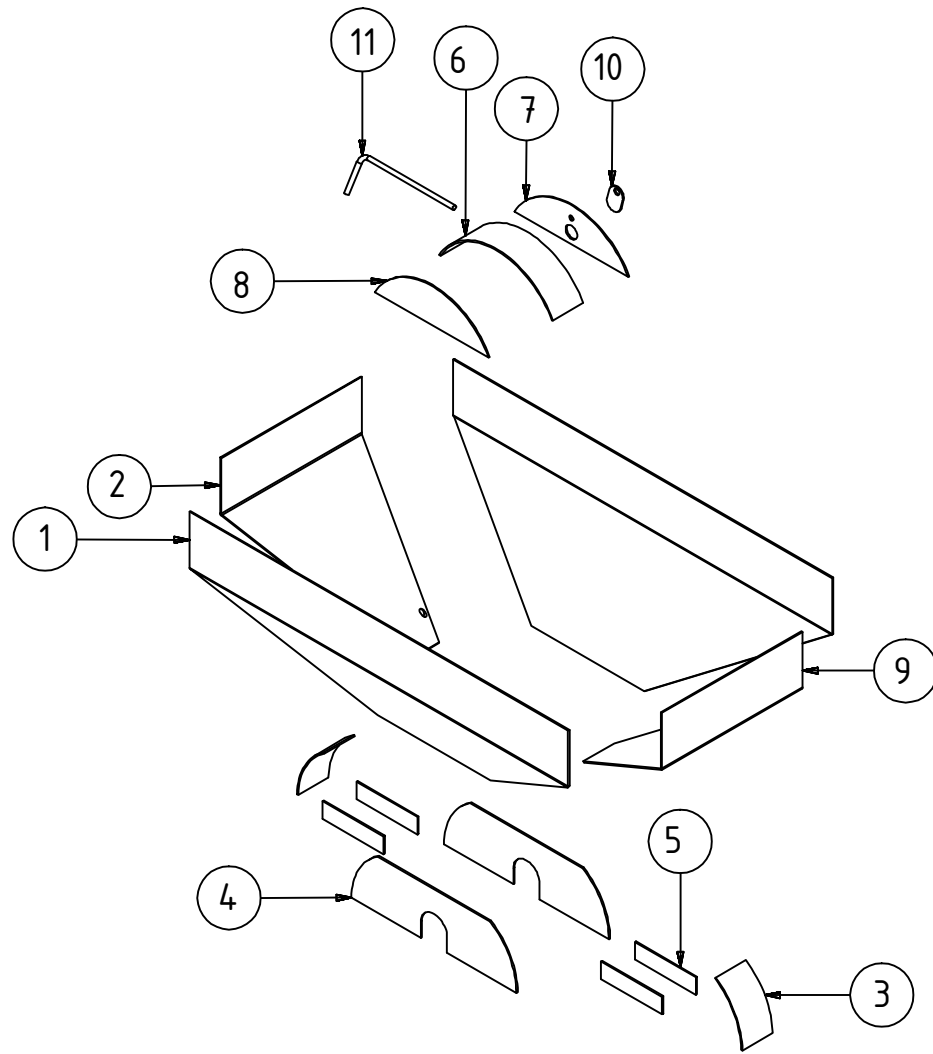
SECTION G-G
SCALE 1 : 1

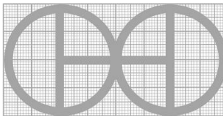
PROJECT		CREATED BY	APPROVED BY	DATE	VERSION
PROJECT NAME		A. PARDO	D. JAEGER	01/05/2018	1.0
PART NAME		FILE NAME			PART CODE
Bush Tapered		bocina.ipt			3.7
DEVELOPED BY	REDESIGNED BY	SUPPORTED BY	DOC. TYPE	MATERIAL	QUANTITY
	 OH0 e.V.		PART	Bronze	1
			LICENCE	SCALE	SHEET
			CC-BY-SA 4.0		20 /32

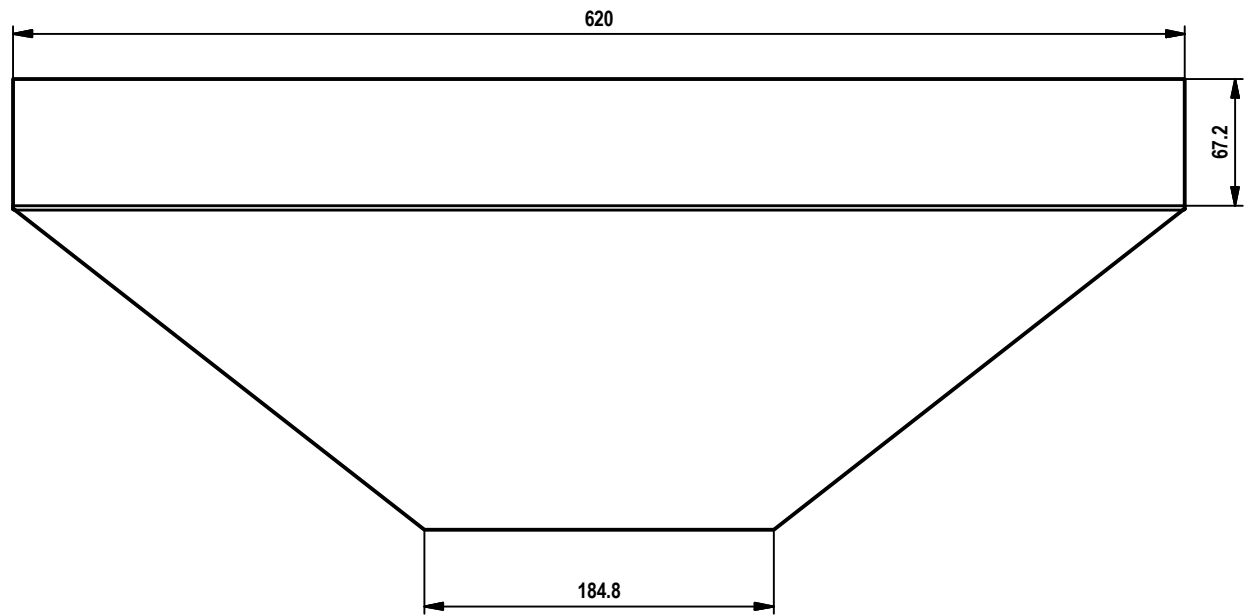
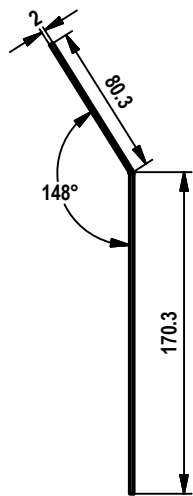


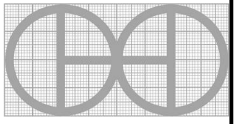
SECTION H-H
SCALE 1 : 1

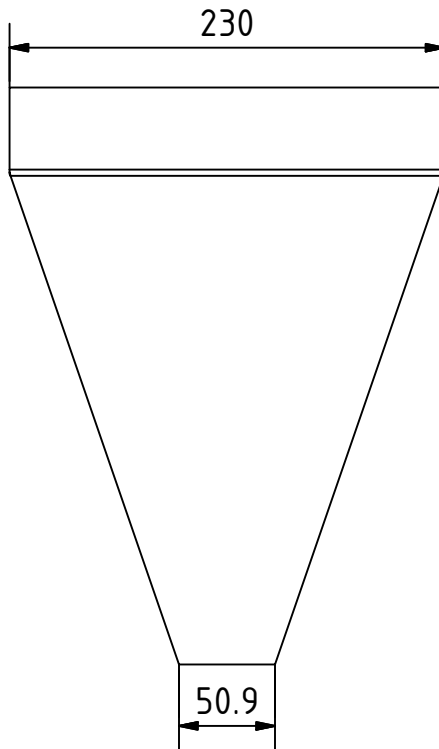
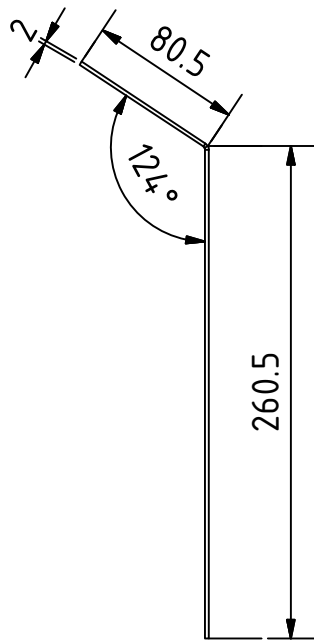
PROJECT		CREATED BY	APPROVED BY	DATE	VERSION
PROJECT NAME		A. PARDO	D. JAEGER	01/05/2018	1.0
PART NAME		FILE NAME			PART CODE
Spacer		separador.ipt			3.8
DEVELOPED BY	REDESIGNED BY	SUPPORTED BY	DOC. TYPE	MATERIAL	QUANTITY
			PART	C45	4
	OHO e.V.		LICENCE	SCALE	SHEET
			CC-BY-SA 4.0		21 /32

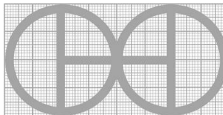


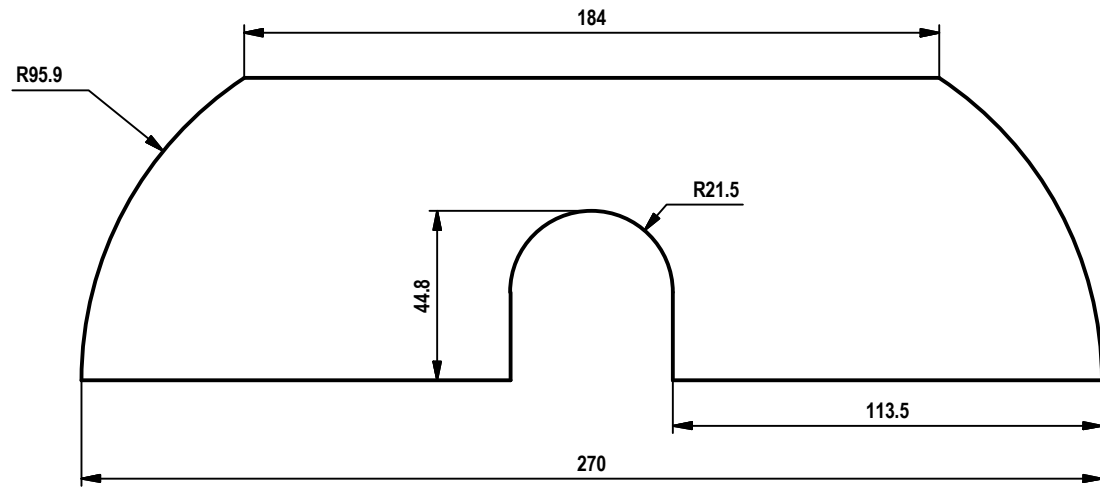
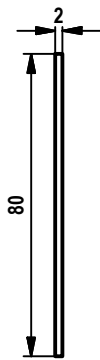
PROJECT		CREATED BY	APPROVED BY	DATE	VERSION
PROJECT NAME		A. PARDO	D. JAEGER	01/05/2018	1.0
PART NAME		FILE NAME			PART CODE
Upper Hoper					4.0
DEVELOPED BY	REDESIGNED BY	SUPPORTED BY	DOC. TYPE	MATERIAL	QUANTITY
			ASSEMBLY		1
	OHO e.V.		LICENCE	SCALE	SHEET
			CC-BY-SA 4.0		22 /32

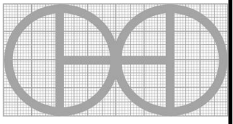


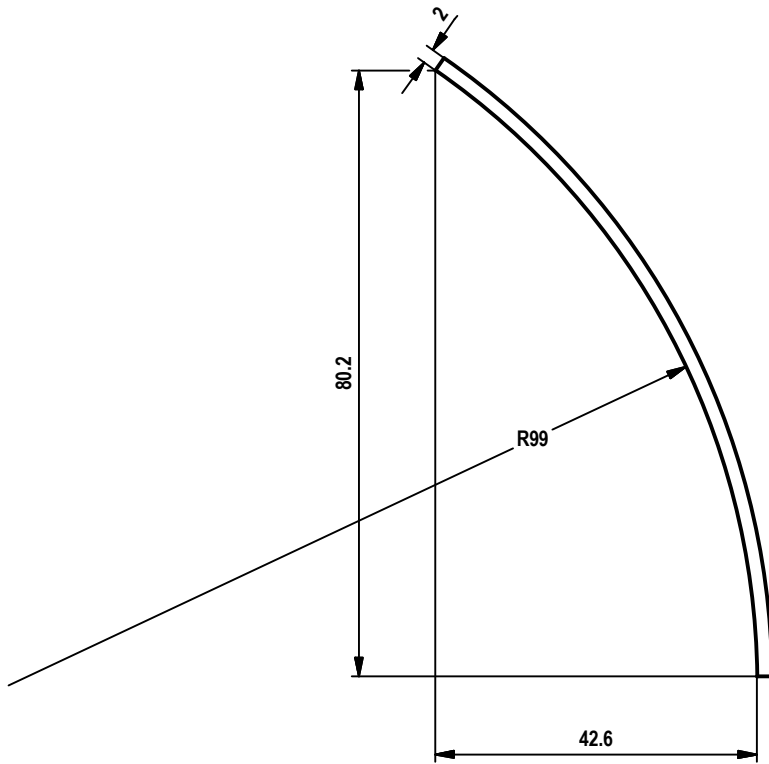
PROJECT		CREATED BY	APPROVED BY	DATE	VERSION
PROJECT NAME		A. PARDO	D. JAEGER	01/05/2018	1.0
PART NAME		FILE NAME			PART CODE
Sheet1		lateral tolba1.ipt			4.1
DEVELOPED BY	REDESIGNED BY	SUPPORTED BY	DOC. TYPE	MATERIAL	QUANTITY
			PART	C45	2
	OHO e.V.		LICENCE	SCALE	SHEET
			CC-BY-SA 4.0		23 /32

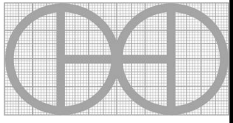


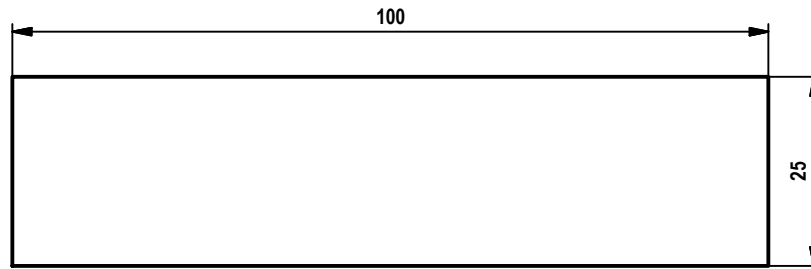
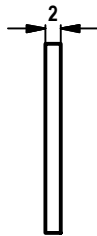
PROJECT		CREATED BY	APPROVED BY	DATE	VERSION
PROJECT NAME		A. PARDO	D. JAEGER	01/05/2018	1.0
PART NAME		FILE NAME			PART CODE
Sheet2					4.2
DEVELOPED BY	REDESIGNED BY	SUPPORTED BY	DOC. TYPE	MATERIAL	QUANTITY
			PART	C45	2
	OHO e.V.		LICENCE	SCALE	SHEET
			CC-BY-SA 4.0		24 /32

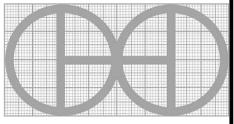


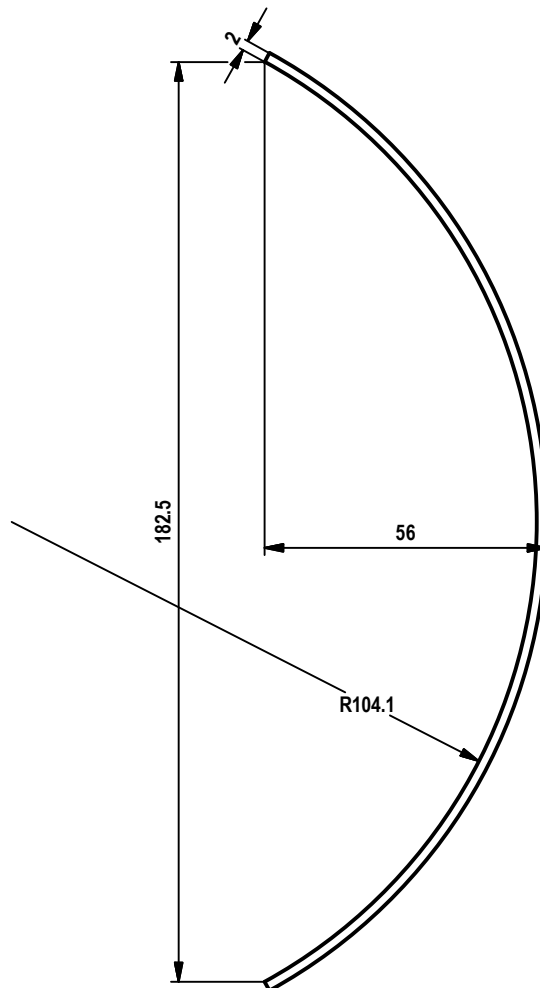
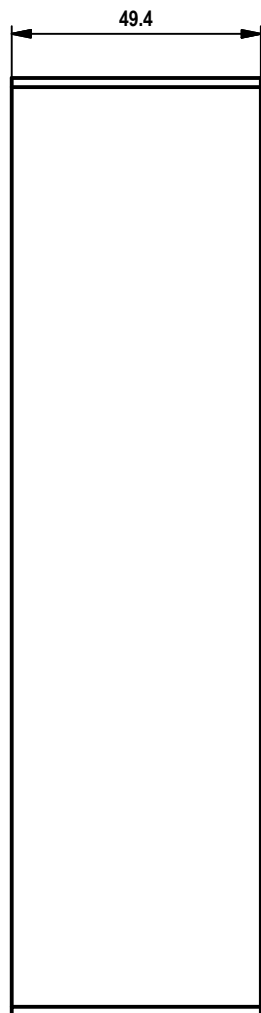
PROJECT		CREATED BY	APPROVED BY	DATE	VERSION
PROJECT NAME		A. PARDO	D. JAEGER	01/05/2018	1.0
PART NAME		FILE NAME			PART CODE
Sheet3		lateral tolba3.ipt			4.3
DEVELOPED BY	REDESIGNED BY	SUPPORTED BY	DOC. TYPE	MATERIAL	QUANTITY
			PART	C45	2
	OHO e.V.		LICENCE	SCALE	SHEET
			CC-BY-SA 4.0		25 /32

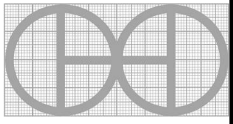


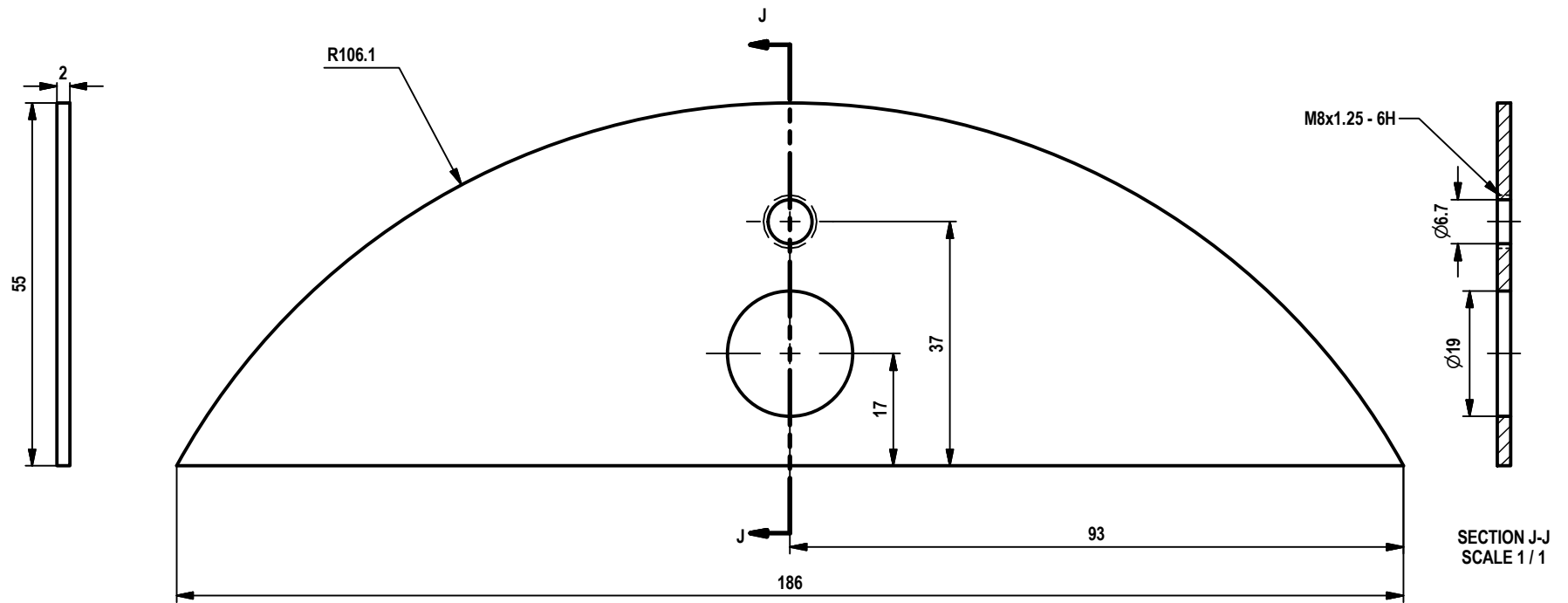
PROJECT		CREATED BY	APPROVED BY	DATE	VERSION
PROJECT NAME		A. PARDO	D. JAEGER	01/05/2018	1.0
PART NAME		FILE NAME			PART CODE
Sheet4		lateral tolba4.ipt			4.4
DEVELOPED BY	REDESIGNED BY	SUPPORTED BY	DOC. TYPE	MATERIAL	QUANTITY
			PART	C45	2
	OHO e.V.		LICENCE	SCALE	SHEET
			CC-BY-SA 4.0		26 /32

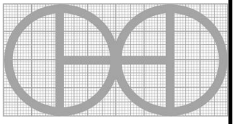


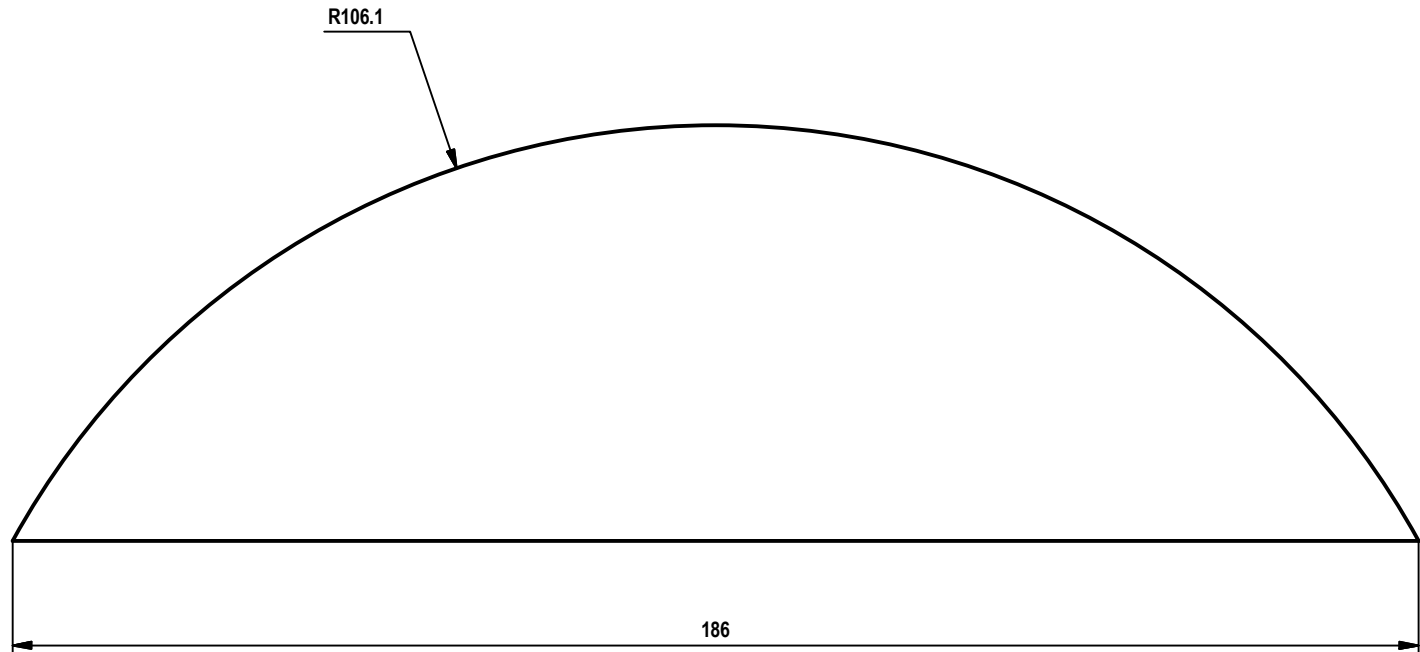
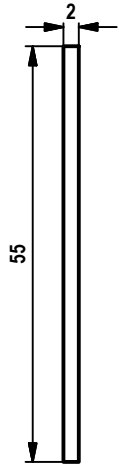
PROJECT		CREATED BY	APPROVED BY	DATE	VERSION
PROJECT NAME		A. PARDO	D. JAEGER	01/05/2018	1.0
PART NAME		FILE NAME			PART CODE
Sheet5		lateral tolba5.ipt			4.5
DEVELOPED BY	REDESIGNED BY	SUPPORTED BY	DOC. TYPE	MATERIAL	QUANTITY
			PART	C45	4
	OHO e.V.		LICENCE	SCALE	SHEET
			CC-BY-SA 4.0		27 /32

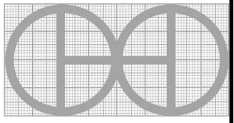


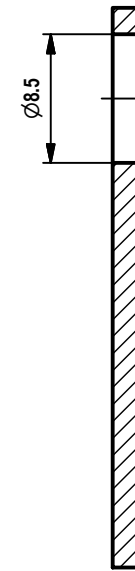
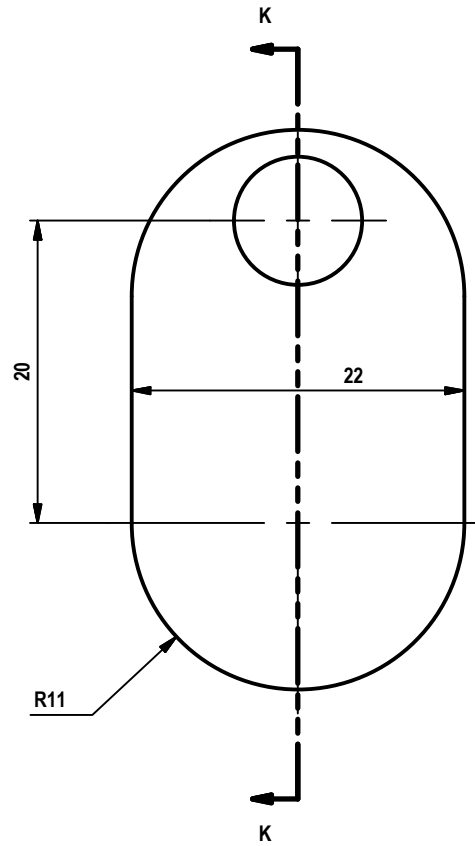
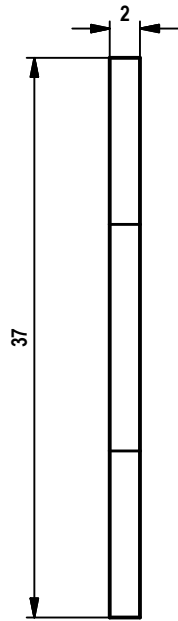
PROJECT		CREATED BY	APPROVED BY	DATE	VERSION
PROJECT NAME		A. PARDO	D. JAEGER	01/05/2018	1.0
PART NAME		FILE NAME			PART CODE
Sheet6		lateral tolba6.ipt			4.6
DEVELOPED BY	REDESIGNED BY	SUPPORTED BY	DOC. TYPE	MATERIAL	QUANTITY
			PART	C45	1
	OHO e.V.		LICENCE	SCALE	SHEET
			CC-BY-SA 4.0		28 /32



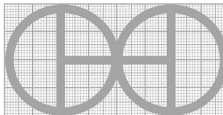
PROJECT		CREATED BY	APPROVED BY	DATE	VERSION
PROJECT NAME		A. PARDO	D. JAEGER	01/05/2018	1.0
PART NAME		FILE NAME			PART CODE
Sheet7		lateral tolba7.ipt			4.7
DEVELOPED BY	REDESIGNED BY	SUPPORTED BY	DOC. TYPE	MATERIAL	QUANTITY
			PART	C45	1
	OHO e.V.		LICENCE	SCALE	SHEET
			CC-BY-SA 4.0		29 /32

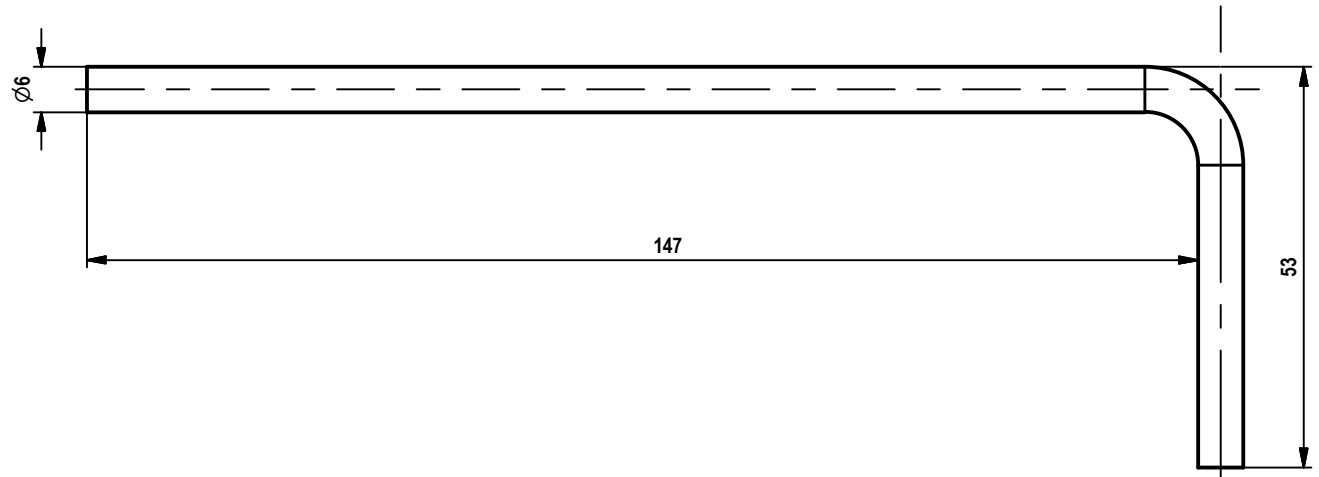
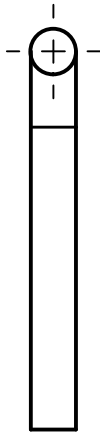


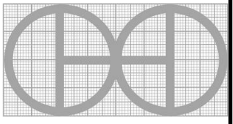
PROJECT		CREATED BY	APPROVED BY	DATE	VERSION
PROJECT NAME		A. PARDO	D. JAEGER	01/05/2018	1.0
PART NAME		FILE NAME			PART CODE
Sheet8		lateral tolba8.ipt			4.8
DEVELOPED BY	REDESIGNED BY	SUPPORTED BY	DOC. TYPE	MATERIAL	QUANTITY
			PART	C45	1
	OHO e.V.		LICENCE	SCALE	SHEET
			CC-BY-SA 4.0		30 /32



SECTION K-K
SCALE 2 : 1

PROJECT		CREATED BY	APPROVED BY	DATE	VERSION
PROJECT NAME		A. PARDO	D. JAEGER	01/05/2018	1.0
PART NAME		FILE NAME			PART CODE
Gate		compuerta.ipt			4.9
DEVELOPED BY	REDESIGNED BY	SUPPORTED BY	DOC. TYPE	MATERIAL	QUANTITY
			PART	C45	1
	OHO e.V.		LICENCE	SCALE	SHEET
			CC-BY-SA 4.0		31 /32



PROJECT		CREATED BY	APPROVED BY	DATE	VERSION
PROJECT NAME		A. PARDO	D. JAEGER	01/05/2018	1.0
PART NAME		FILE NAME			PART CODE
Lever		palanca.ipt			4.10
DEVELOPED BY	REDESIGNED BY	SUPPORTED BY	DOC. TYPE	MATERIAL	QUANTITY
			PART	A36	1
	OHO e.V.		LICENCE	SCALE	SHEET
			CC-BY-SA 4.0		32 /32