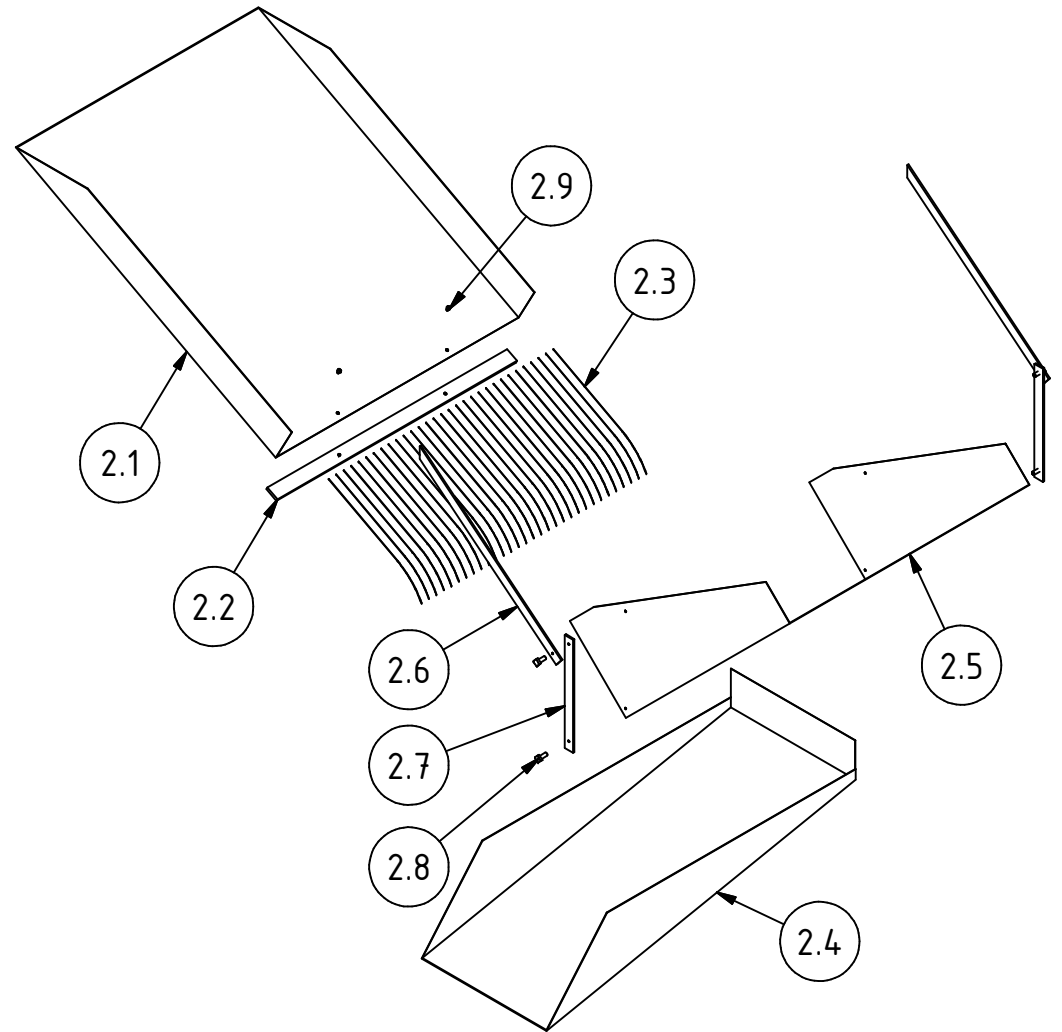
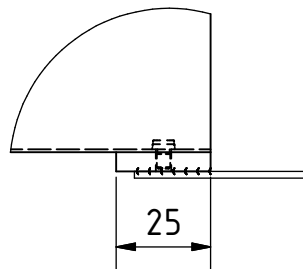
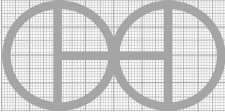


A (1 : 2)



All metal parts are welded.
Note: All units in mm.

PROJECT Power Thresher for rice and wheat	CREATED BY J. Zeron	APPROVED BY A. Morillo	DATE 30/08/2021	VERSION 1.0
PART NAME Tray system	FILE NAME Tray system.ipn			POS 2.0
DEVELOPED BY	REDESIGNED BY 	DOC. TYPE Assembly	MATERIAL	QUANTITY 1
Practical Action	OHO e.V.	LICENCE CC-BY-SA 4.0	SCALE 1:12	SHEET 14 /43