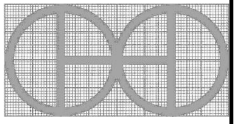
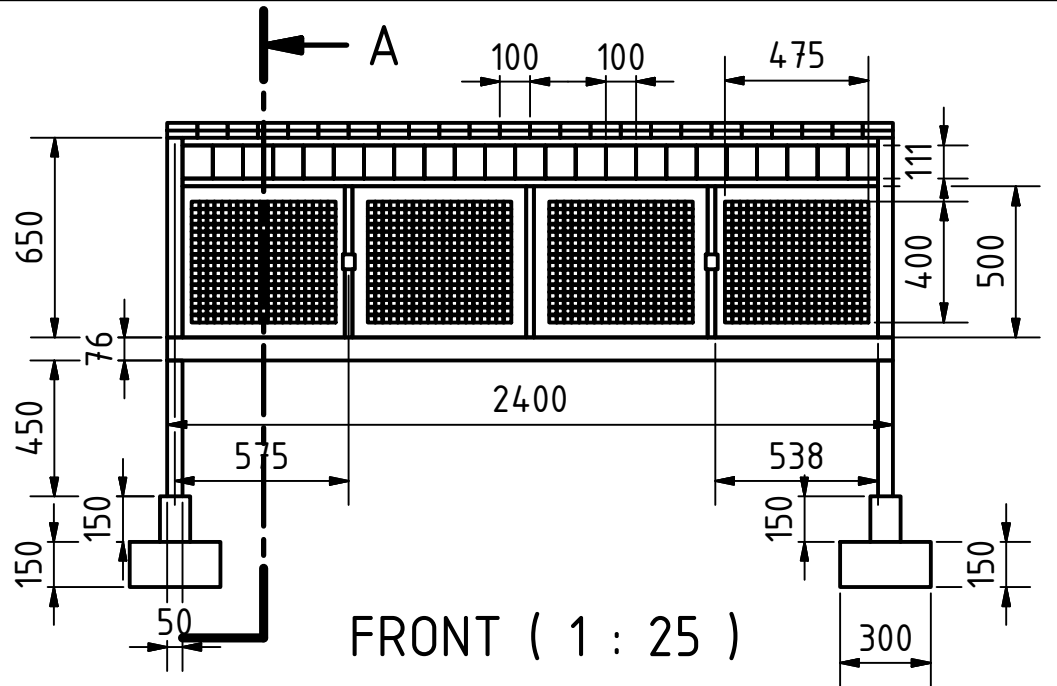
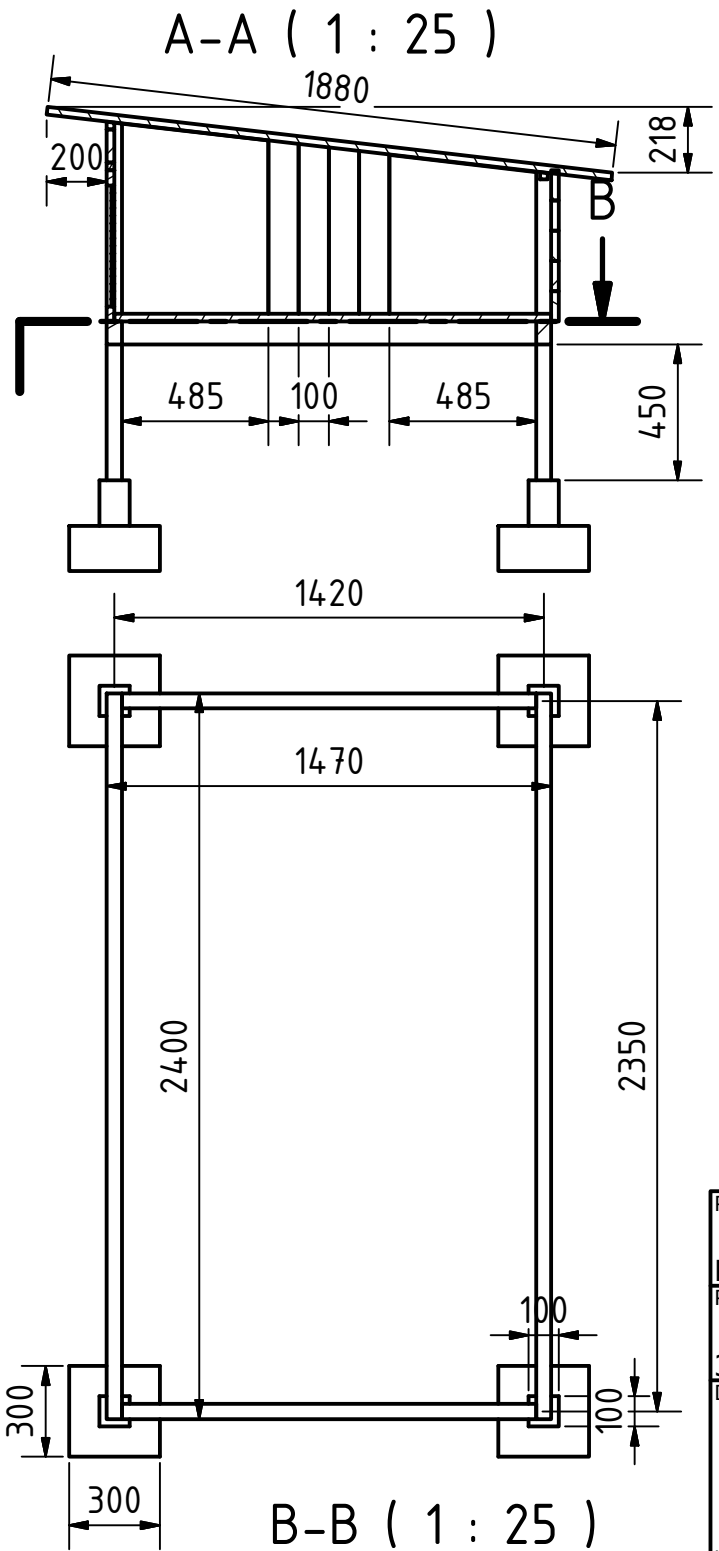
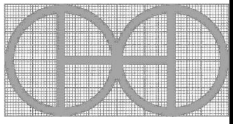


ISOMETRIC ( 1 : 15 )

PROJECT		CREATED BY	APPROVED BY	DATE	VERSION
PROJECT NAME		J. ZERON	A. MORILLO	30-05-2021	1.0
PART NAME		FILE NAME			PART CODE
3D VIEW		safe-and-sturdy-shelter.iam			A1
DEVELOPED BY	REDESIGNED BY	SUPPORTED BY	DOC. TYPE	MATERIAL	QUANTITY
			ASSEMBLY		1
UNIVERSITY OF GHANA		OHO e.V.	LICENCE	SCALE	SHEET
			CC-BY-SA 4.0	1:15	1 /24



Note: all units are in mm

PROJECT		CREATED BY	APPROVED BY	DATE	VERSION
PROJECT NAME		J. ZERON	A. MORILLO	30-05-2021	1.0
PART NAME		FILE NAME			PART CODE
3D Views		safe-and-sturdy-shelter.iam			A1
DEVELOPED BY	REDESIGNED BY	SUPPORTED BY	DOC. TYPE	MATERIAL	QUANTITY
			ASSEMBLY		1
UNIVERSITY OF GHANA		OHO e.V.	LICENCE	SCALE	SHEET
			CC-BY-SA 4.0	1:25	2 /24