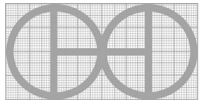

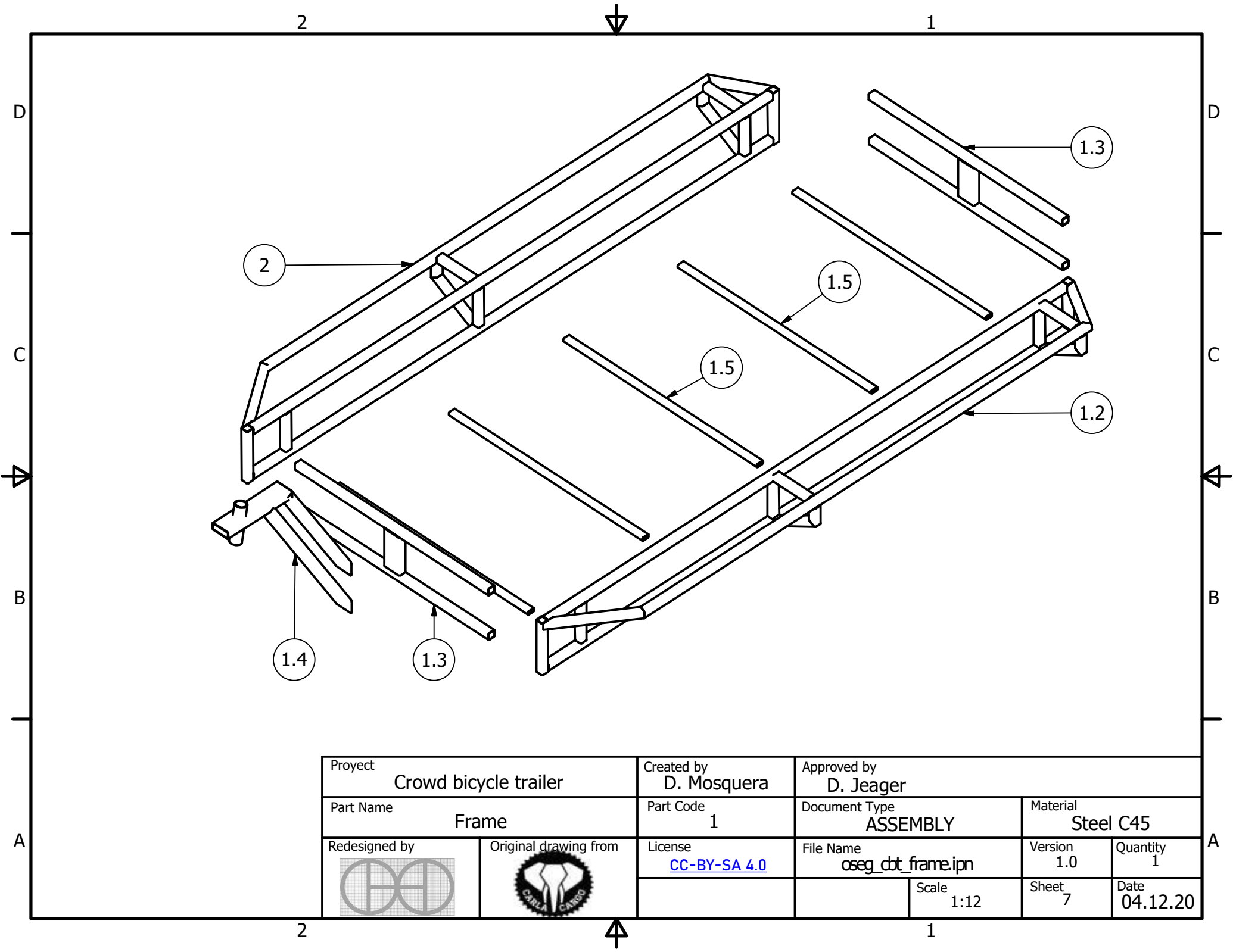
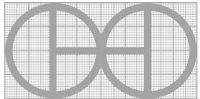



Project Crowd bicycle trailer		Created by D. Mosquera		Approved by D. Jeager	
Part Name Frame		Part Code 1		Document Type ASSEMBLY	
Redesigned by 		Original drawing from 		File Name oseg_dct_frame.iam	
		License CC-BY-SA 4.0		Version 1.0	
		Scale 1:12		Quantity 1	
				Sheet 6	
				Date 04.12.20	



Project Crowd bicycle trailer		Created by D. Mosquera		Approved by D. Jeager	
Part Name Frame		Part Code 1	Document Type ASSEMBLY		Material Steel C45
Redesigned by 	Original drawing from 	License CC-BY-SA 4.0	File Name oseg_cbt_frame.ipn		Version 1.0
			Scale 1:12	Sheet 7	Date 04.12.20