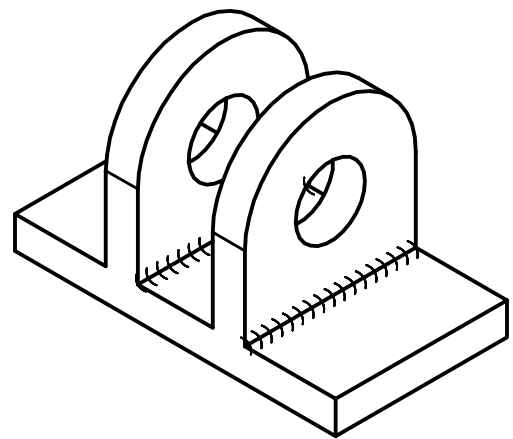
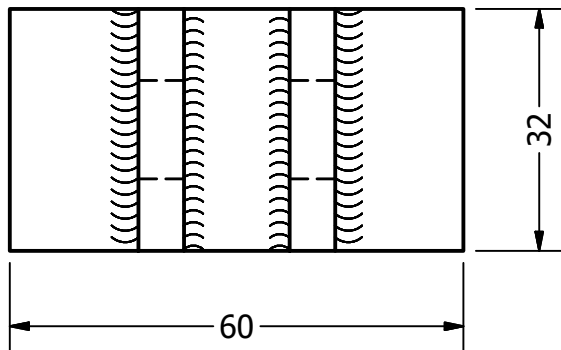
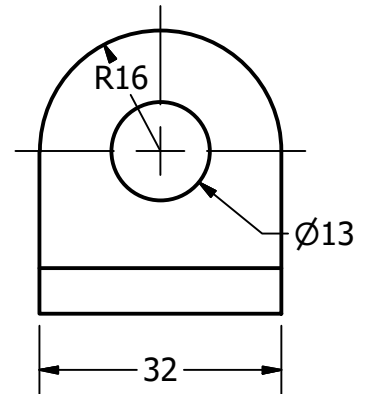
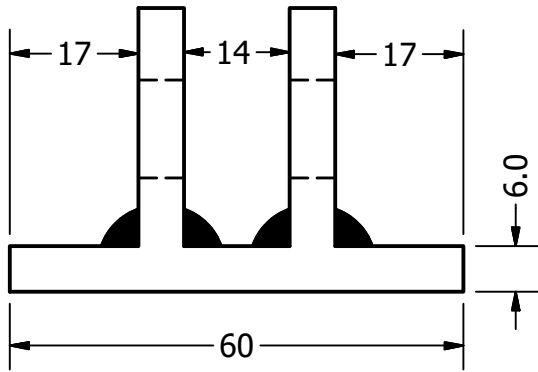


2

1

D

D



C



C

B

B

A

A

Proyect Wind Mill Pump		Created by D. Mosquera		Approved by D. Jaeger	
Part Name pivot plate		Part Code 3.4		Document Type part	
Material Steel C45		Version 1.0		Quantity 	
Redesigned by  OPEN SOURCE ECOLOGY GERMANY	Supported by  E.ON STIFTUNG	License CC BY-SA 4.0	File Name oseg_wmp_pivot-plate.ipt	Scale 1 : 1	Date 28.02.21

2

1

4