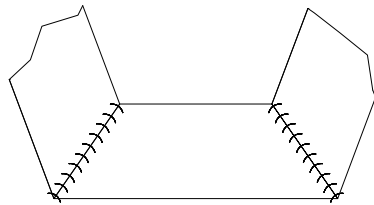
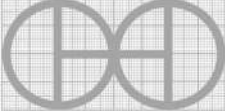


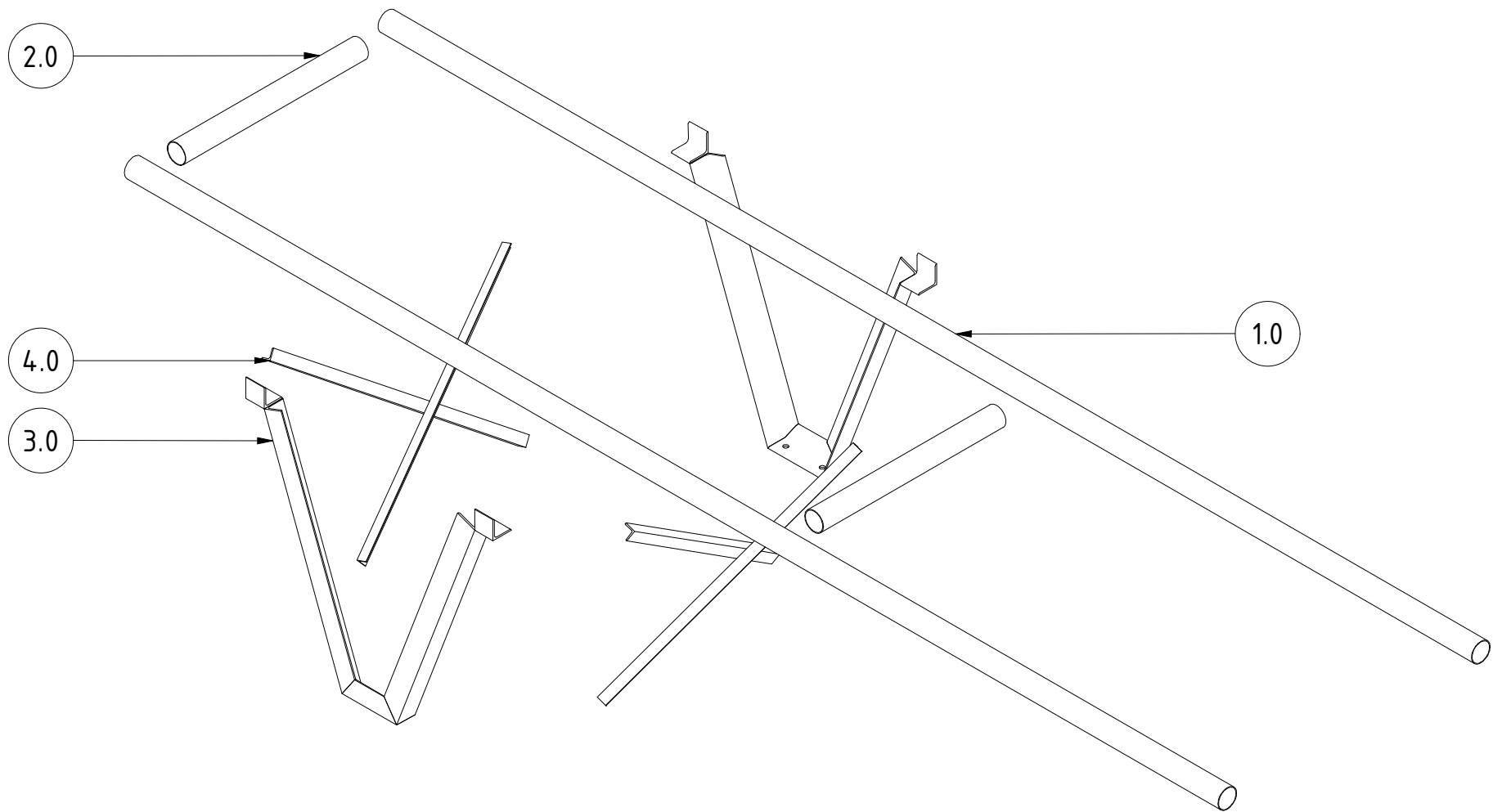
B ( 1 : 3 )

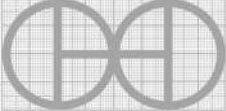


A ( 1 : 4 )

Note: All units in mm.

PROJECT	CREATED BY	APPROVED BY	DATE	VERSION
The donkey cart ambulance	J. Rosciano	A. Morillo	29/07/2021	1.1
PART NAME	FILE NAME			POS
Frame assembly	1.0_Frame assembly.iam			1.0
DEVELOPED BY	REDESIGNED BY	DOC. TYPE	MATERIAL	QUANTITY
		Assembly		1
Practical Action	OHO e.V.	LICENCE	SCALE	SHEET
		CC-BY-SA 4.0	1/22	7 /37



PROJECT	CREATED BY	APPROVED BY	DATE	VERSION
The donkey cart ambulance	J. Rosciano	A. Morillo	29/07/2021	1.1
PART NAME	FILE NAME			POS
Frame assembly	1.0_Frame assembly.ipn			1.0
DEVELOPED BY	REDESIGNED BY	DOC. TYPE	MATERIAL	QUANTITY
		Assembly		1
Practical Action	OHO e.V.	LICENCE	SCALE	SHEET
		CC-BY-SA 4.0	1/12	8 /37