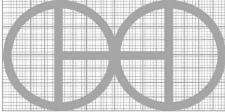
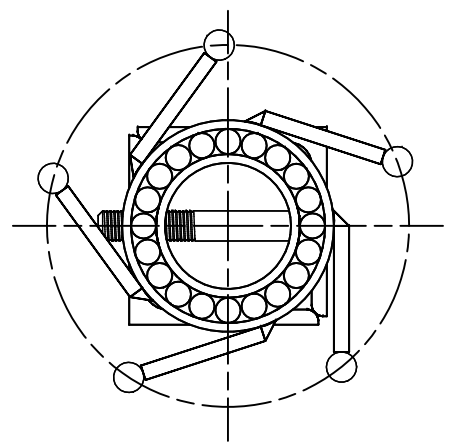
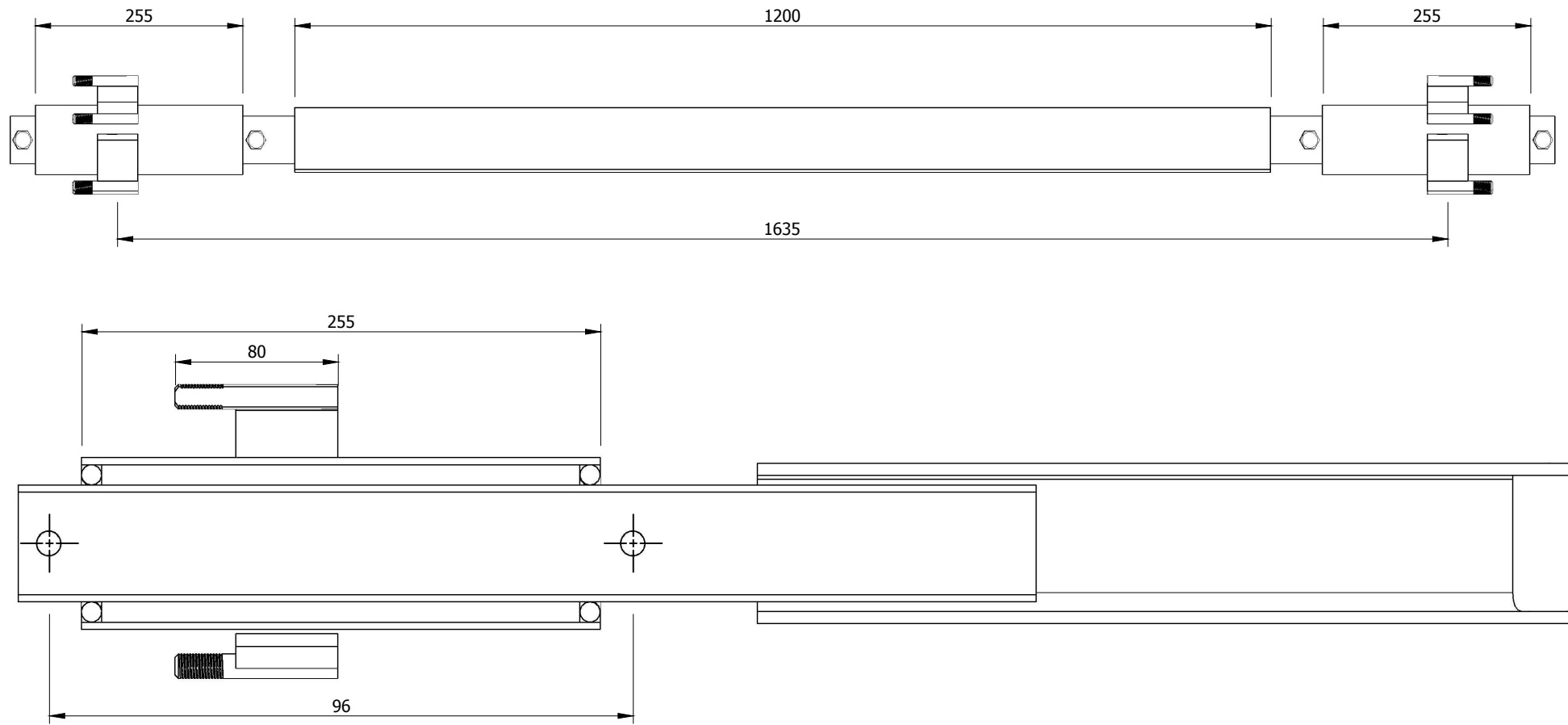


Note: All units in mm.

PROJECT	CREATED BY	APPROVED BY	DATE	VERSION
Pipe and roller axle for ox carts	E. Araujo	A. Morillo	28-06-21	1.0
PART NAME	FILE NAME	POS		
3d views	Pipe_and_rolle_axle_for_ox_carts.dwg	A1		
DEVELOPED BY	REDESIGNED BY	DOC. TYPE	MATERIAL	QUANTITY
Practical Action	 OHO e.V.	Assembly		1
		LICENCE	SCALE	SHEET
		CC-BY-SA 4.0	1:4	1/11



Note: All units in mm.

PROJECT	CREATED BY	APPROVED BY	DATE	VERSION
Pipe and roller axle for ox carts	E. Araujo	A. Morillo	28-06-2021	1.0
PART NAME	FILE NAME			POS
3d views	Pipe_and_rolle_axle_for_ox_carts.dwg			A1
DEVELOPED BY	REDESIGNED BY	DOC. TYPE	MATERIAL	QUANTITY
Practical Action	OHO e.V.	Assembly		1
		LICENCE	SCALE	SHEET
		CC-BY-SA 4.0	1:4	2/11