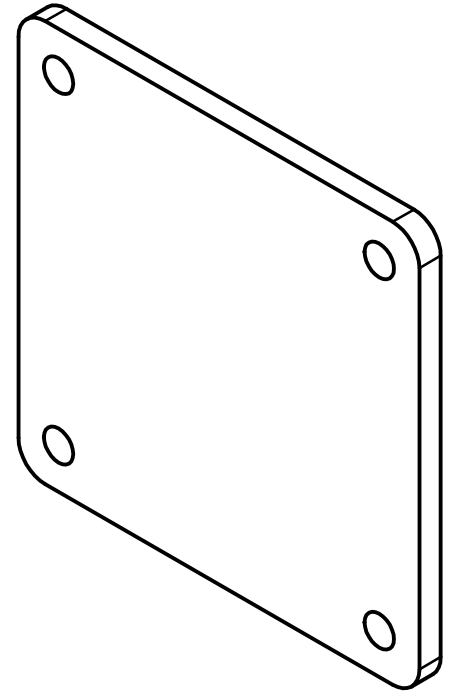
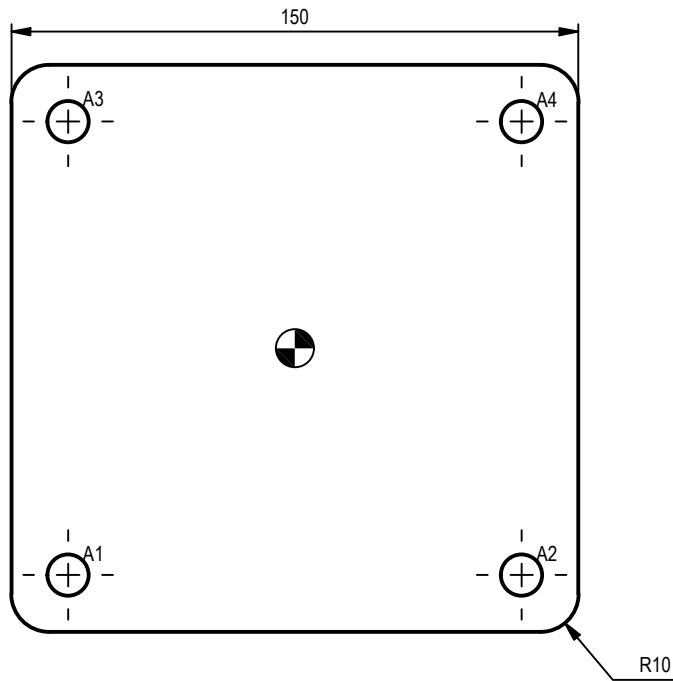
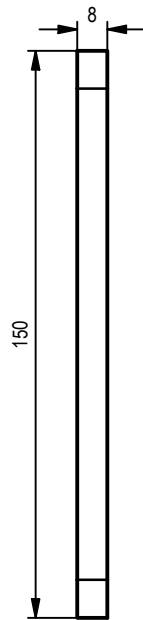




HOLE TABLE			
HOLE	XDIM	YDIM	DESCRIPTION
A1	-60.00	-60.00	Ø11 THRU
A2	60.00	-60.00	Ø11 THRU
A3	-60.00	60.00	Ø11 THRU
A4	60.00	60.00	Ø11 THRU



PROJECT BENCH VICE	CREATED BY A. PARDO	APPROVED BY		
PART NAME BASE	PART CODE 3.1	DOCUMENT TYPE PART	MATERIAL STEEL METAL	
 <small>OPEN SOURCE ECOLOGY GERMANY</small>	LICENSE 	FILE NAME base.ipt	VERSION 1.0	QUANTITY 1
		SCALE 1 : 2	SHEET 16/21	DATE 29/3/2020