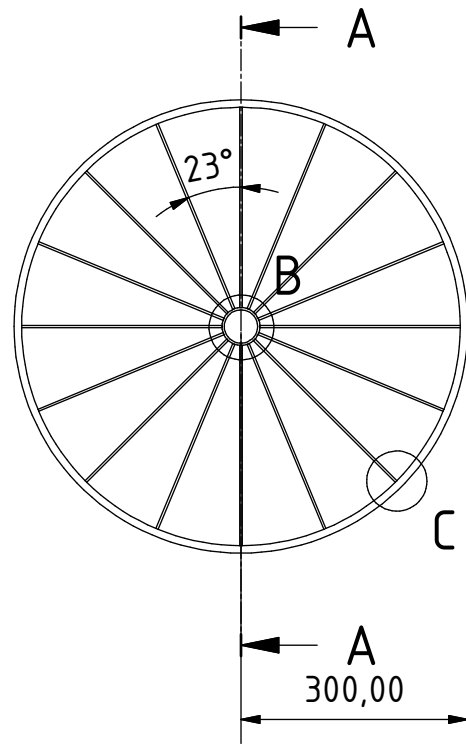
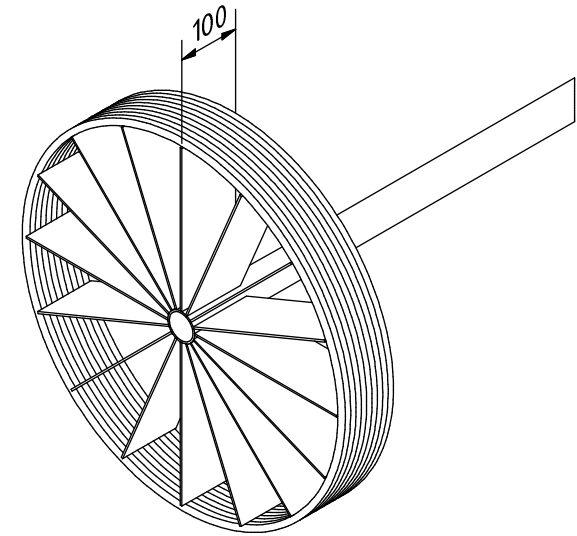
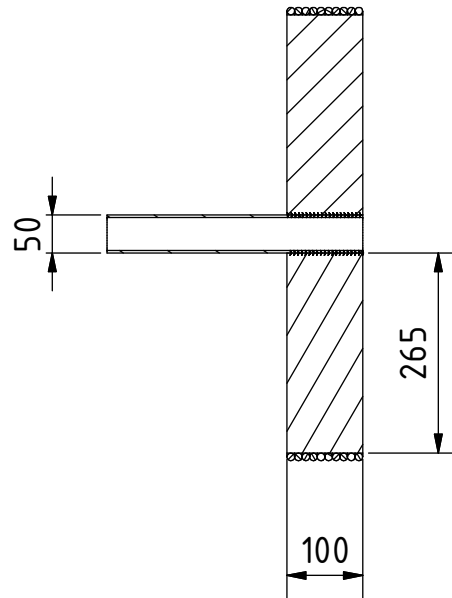


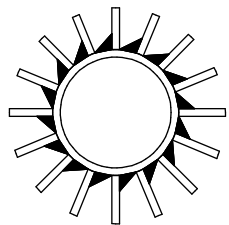
ELEVATION (1 : 10)



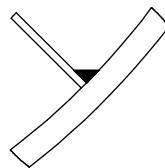
A-A (1 : 10)



B (1 : 3)



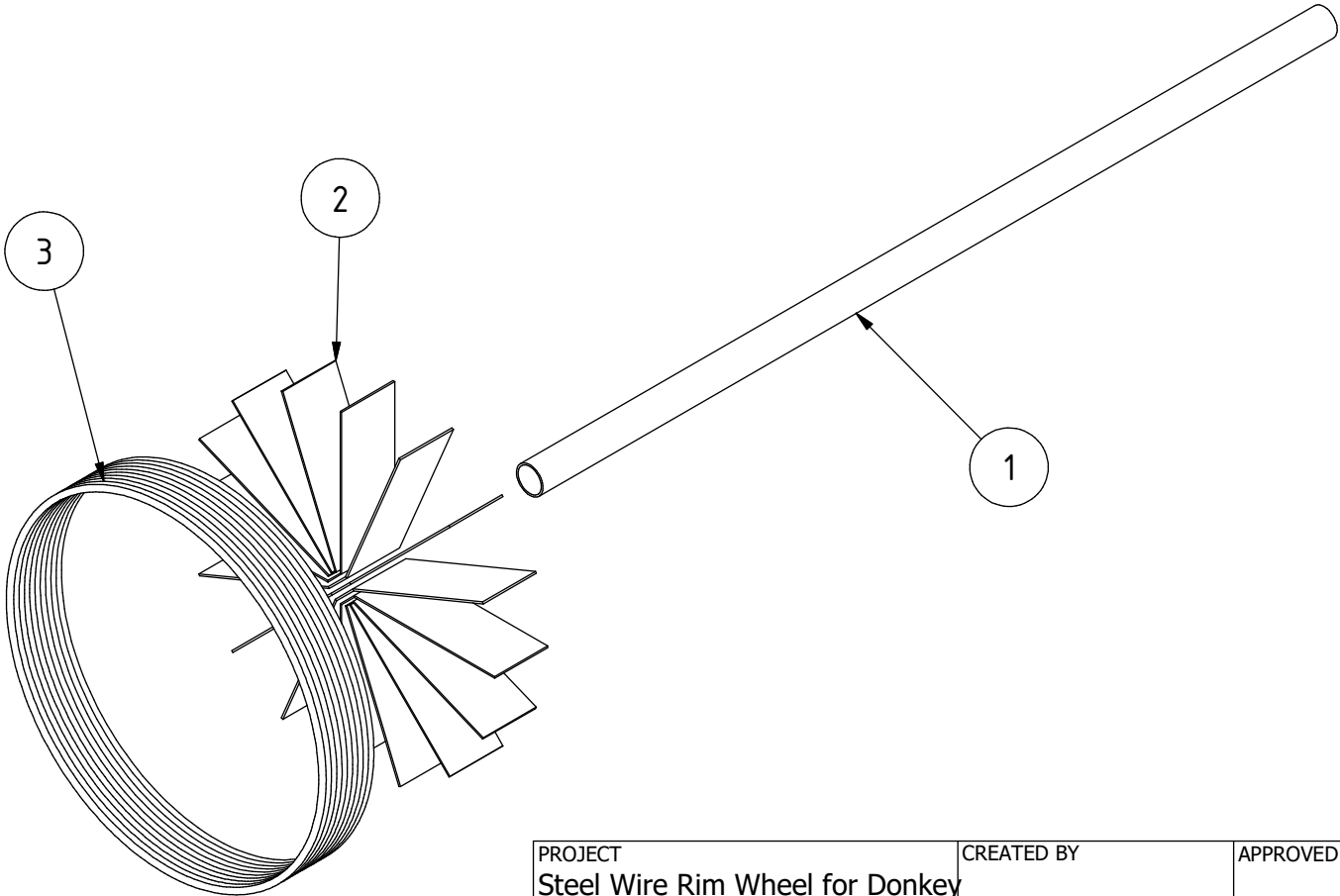
C (1 : 3)

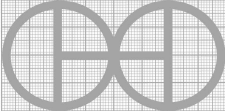


Note: All units in mm.

PROJECT Steel Wire Rim Wheel for Donkey Carts		CREATED BY J. Zeron	APPROVED BY A. Morillo	DATE 31/07/2021	VERSION 1.0
PART NAME		FILE NAME uwd_wdc_steel-wire-rim-wheel-for-donkey-carts.iam			POS A1
3d views					QUANTITY 1
DEVELOPED BY	REDESIGNED BY	DOC. TYPE Assembly	MATERIAL	SHEET	
University of Warwick, DTU	OHO e.V.	LICENCE CC-BY-SA 4.0	SCALE 1:10	SHEET 1 / 4	

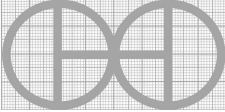
EXPLOSION (1 : 10)



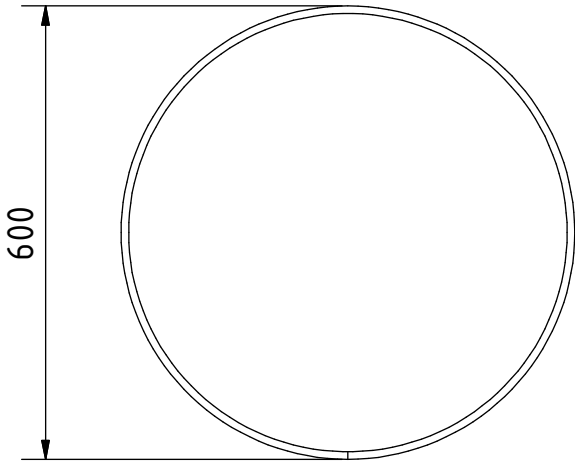
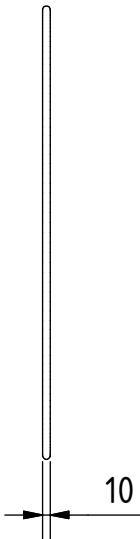
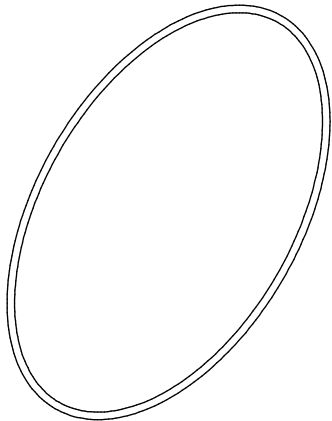
PROJECT Steel Wire Rim Wheel for Donkey Carts		CREATED BY J. Zeron	APPROVED BY A. Morillo	DATE 31/07/2021	VERSION 1.0
PART NAME Exploded 3d view		FILE NAME uwd_wdc_steel-wire-rim-wheel-for-donkey-carts.ipn			POS A2
DEVELOPED BY	REDESIGNED BY	DOC. TYPE	MATERIAL	QUANTITY	
		Assembly		1	
University of Warwick, DTU		LICENCE	SCALE	SHEET	
OHO e.V.		CC-BY-SA 4.0	1:10	2 / 4	

Parts list

POS	QTY	PART NAME	FILE NAME	PART TYPE	SPECIFICATIONS	SHEET
A1	-	3d views	uwd_wdc_steel-wire-rim-wheel-for-donkey-carts.iam	Assembly	-	1
A2	-	Exploded 3d view	uwd_wdc_steel-wire-rim-wheel-for-donkey-carts.ipn	Assembly	-	2
B1	-	Parts list	uwd_wdc_steel-wire-rim-wheel-for-donkey-carts.csv	-	-	3
1	1	Tube	-	Production	Black iron 2 inch schedule 40 L:1500mm	-
2	16	Flat	-	Production	Steel C45 sheet 3x100x265mm	-
3	10	Bar	Bar.ipt	Production	Steel A36 bar 10mm	4

PROJECT Steel Wire Rim Wheel for Donkey Carts		CREATED BY J. Zeron	APPROVED BY A. Morillo	DATE 31/07/2021	VERSION 1.0
PART NAME Parts list		FILE NAME uwd_wdc_steel-wire-rim-wheel-for-donkey-carts.csv			POS B1
DEVELOPED BY University of Warwick, DTU	REDESIGNED BY 	DOC. TYPE Parts list	MATERIAL	QUANTITY	
OHO e.V.		LICENCE CC-BY-SA 4.0	SCALE	SHEET 3 / 4	

ELEVATION (1 : 10)



Note: All units in mm.

PROJECT Steel Wire Rim Wheel for Donkey Carts		CREATED BY J. Zeron	APPROVED BY A. Morillo	DATE 31/07/2021	VERSION 1.0
PART NAME Bar		FILE NAME Bar.ipt			POS 3
DEVELOPED BY	REDESIGNED BY	DOC. TYPE Part	MATERIAL Steel A36	QUANTITY 10	
University of Warwick, DTU		OHO e.v.	LICENCE CC-BY-SA 4.0	SCALE 1:10	SHEET 4 / 4

