
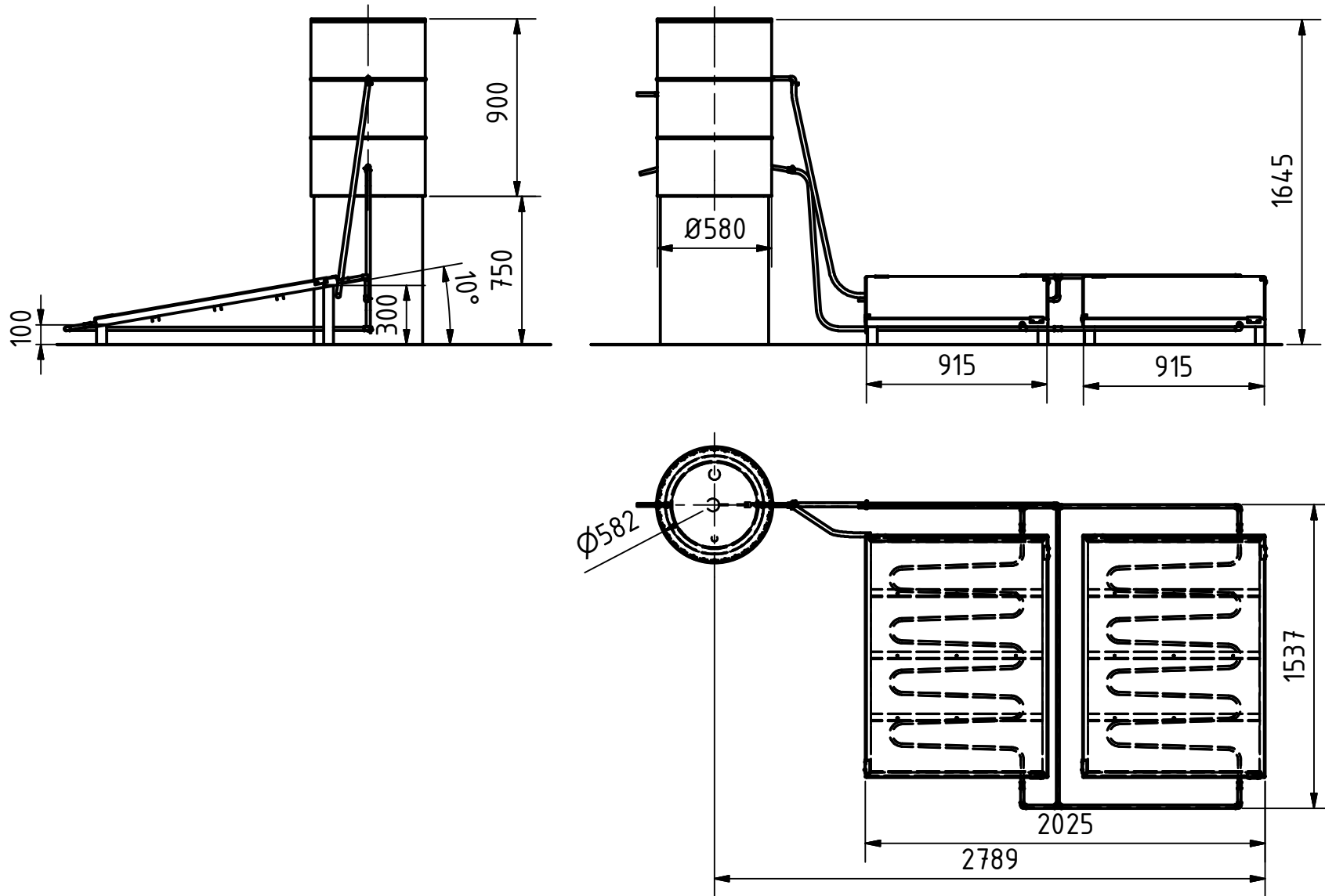

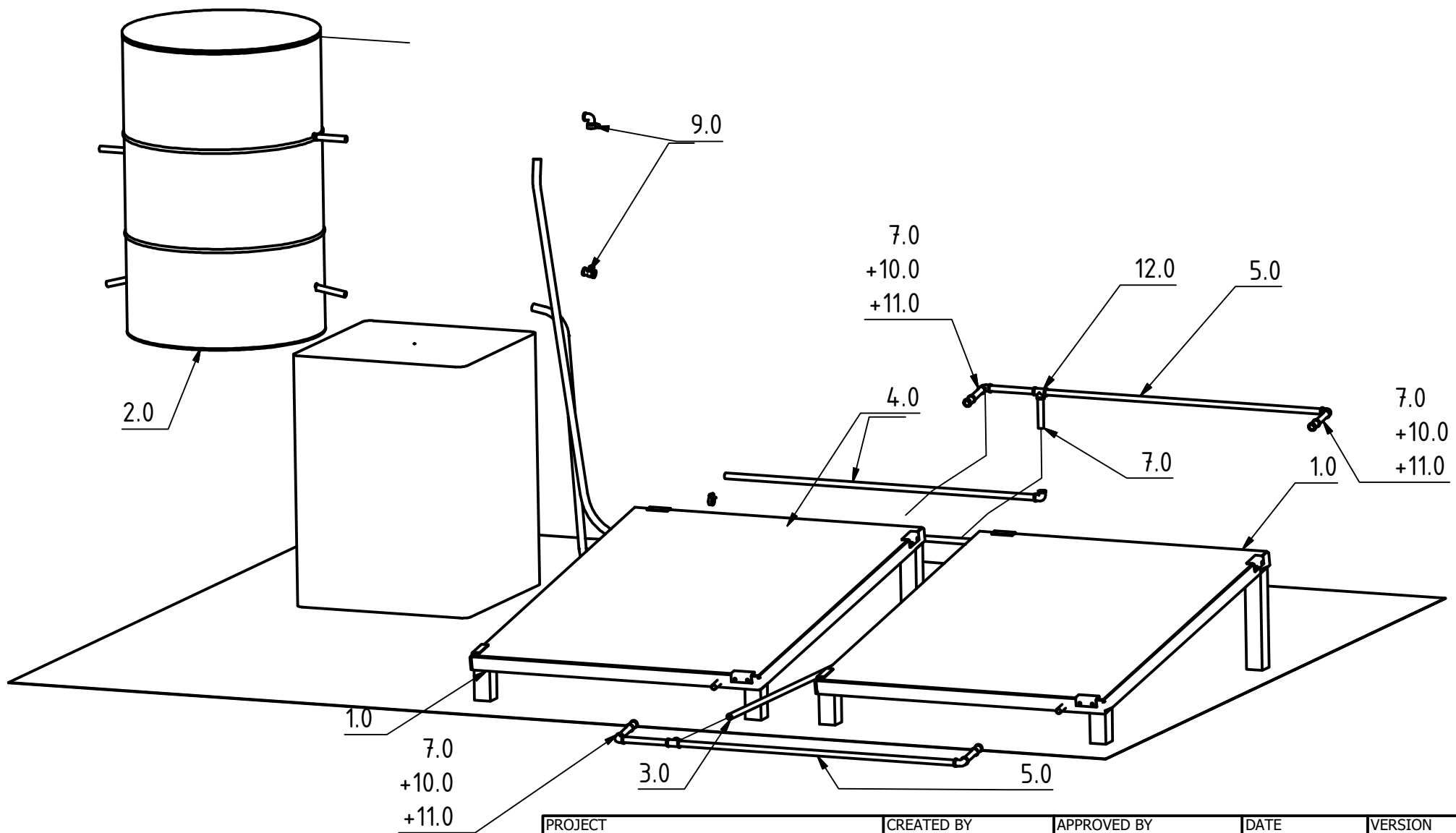



PROJECT	CREATED BY	APPROVED BY	DATE	VERSION
DIY Derpentine Solar Water Heating	D. MOSQUERA	A. MORILLO	23-06-21	1.0
PART NAME	FILE NAME			PART CODE
3d views	aid_dswh_A1_serpentine-solar-water-heating.iam			A1
DEVELOPED BY	REDESIGNED BY	DOC. TYPE	MATERIAL	QUANTITY
Appropriate Infrastructure Development Group	 OPEN SOURCE ECOLOGY GERMANY OSEG	ASSEMBLY		1
		LICENCE	SCALE	SHEET
		CC-BY-SA 4.0	1:20	1 /30




PROJECT		CREATED BY		APPROVED BY		DATE		VERSION	
DIY Derpentine Solar Water Heating		D. MOSQUERA		A. MORILLO		23-06-21		1.0	
PART NAME				FILE NAME				PART CODE	
3d views				aid_dswh_A1_serpentine-solar-water-heating.iam				A1	
DEVELOPED BY			REDESIGNED BY			DOC. TYPE		MATERIAL	
Appropriate Infrastructure Development Group			 OPEN SOURCE ECOLOGY GERMANY OSEG			ASSEMBLY			
						LICENCE		SCALE	
						CC-BY-SA 4.0		1:30	
								QUANTITY	
								1	
								SHEET	
								2 /30	




PROJECT	CREATED BY	APPROVED BY	DATE	VERSION
DIY Derpentine Solar Water Heating	D. MOSQUERA	A. MORILLO	23-06-21	1.0
PART NAME	FILE NAME	PART CODE		
Explode 3d view	aid_dswh_A1_serpentine-solar-water-heating.ipn	A2		
DEVELOPED BY	REDESIGNED BY	DOC. TYPE	MATERIAL	QUANTITY
Appropriate Infrastructure Development Group	 OPEN SOURCE ECOLOGY GERMANY OSEG	ASSEMBLY		1
		LICENCE	SCALE	SHEET
		CC-BY-SA 4.0	1:15	3 /30

PART LIST							
POS	POS.OLD	QTY	PART NAME	FILE NAME	PART TYP	SPECIFICATIONS	SHEET
A1		1	3d views	aid_dswh_A1_serpentine-solar-water-heating.iam			1
A1		1	3d views	aid_dswh_A1_serpentine-solar-water-heating.iam			2
A2		1	Explode 3d view	aid_dswh_A1_serpentine-solar-water-heating.ipn			3
B1			PART LIST				4
B2			PART LIST				5
C1			TECH NOTES				6
1.0		1	Serpentine collector	aid_dswh_serpentine-collector.iam			7
1.0		1	Serpentine collector	aid_dswh_serpentine-collector.ipn			8
1.1		1	Backing plate	aid_dswh_backing-plate.ipt	Production	Galvanized Steel	9
1.2		1	sections continuous	aid_dswh_sections-continuous.ipt	Production	U profile, Galvanized Steel #20	10
1.3		1	Top section	aid_dswh_top-section.ipt	Production	U profile, Galvanized Steel #20	11
1.4		3	Spacers	aid_dswh_spacers.ipt	Production	U profile, Galvanized Steel #20	12
1.5		1	Zig-zag 1/2 " pipe	aid_dswh_absorber-pipe-1-2.ipt	Production	pipe sch:1mm, Galvanized Steel	13
1.6		1	Ter-flex frame	aid_dswh_ter-flex-frame.ipt	Production	rubber	14
1.7		1	ter-flex backing	aid_dswh_ter-flex-backing.ipt	Standard	ter-flex backing, Rubber	
1.8		1	cover glass	aid_dswh_cover-glass.ipt	Production	Glass	15
1.9		4	angle 25 x 25	aid_dswh_angle25.ipt	Production	Steel C45	16
1.10		18	Rivet-6x6x3	aid_dswh_rivet-6x6x3.ipt	Standard	Rivet-6x6x3	
2.0		1	Hot water tank	aid_dswh_hot-water-tank.iam			17
2.0		1	hot water tank	aid_dswh_hot-water-tank.ipn			18
2.1		1	Metal drum	aid_dswh_metal-drum-55g.ipt	Production		19
2.2		2	Ter-flex up tank	aid_dswh_ter-flex-up-tank.ipt	Production	Termaflex	20
2.3		1	Ter flex tank	aid_dswh_ter-flex-tank.ipt	Production	Termaflex	21
2.4		1	barrel plastic + lid	aid_dswh_barrel-tank-35g.ipt	Production	HDPE	22
2.5		1	Cover metal drum	aid_dswh_cover-metal-drum-55g.ipt	Production		23
2.6		2	adaptor 1/2"	aid_dswh_adaptor-1-2..ipt	Standard	threaded adaptor de PVC DN1/2"	
2.7		2	Rubber seals	aid_dswh_rubber-seals.ipt	Production	Rubber	24
2.8		4	Nipple 1/2"	aid_dswh_nipple-1-2.ipt	Standard	threaded coupling Galvanized steel,sch40	
2.9		4	Pipe 1/2 plg	aid_dswh_pipe-1-2plgx150.ipt	Production	Long 150 mm, Glvanized Steel,sch40	25
3.0		1	pipe 1/2"x1510	aid_dswh_pipe-1-2plgx1510.ipt	Production	Pipe PVC,sch40	26
4.0		2	Pipe 1/2" x1000	aid_dswh_pipe-1-2plgx1000.ipt	Production	Pipe PVC,sch40	27
5.0		2	Pipe 1/2"x900	aid_dswh_pipe-1-2plgx900.ipt	Production	Pipe PVC,sch40	28

PROJECT		CREATED BY	APPROVED BY	DATE	VERSION
DIY Derpentine Solar Water Heating		D. MOSQUERA	A. MORILLO	23-06-21	1.0
PART NAME		FILE NAME			PART CODE
PART LIST					B1
DEVELOPED BY		REDESIGNED BY		DOC. TYPE	MATERIAL
		 <small>OPEN SOURCE ECOLOGY GERMANY</small>		PART LIST	QUANTITY
Appropriate Infrastructure Development Group		OSEG		LICENCE	SCALE
				CC-BY-SA 4.0	SHEET
					4 /30


PART LIST

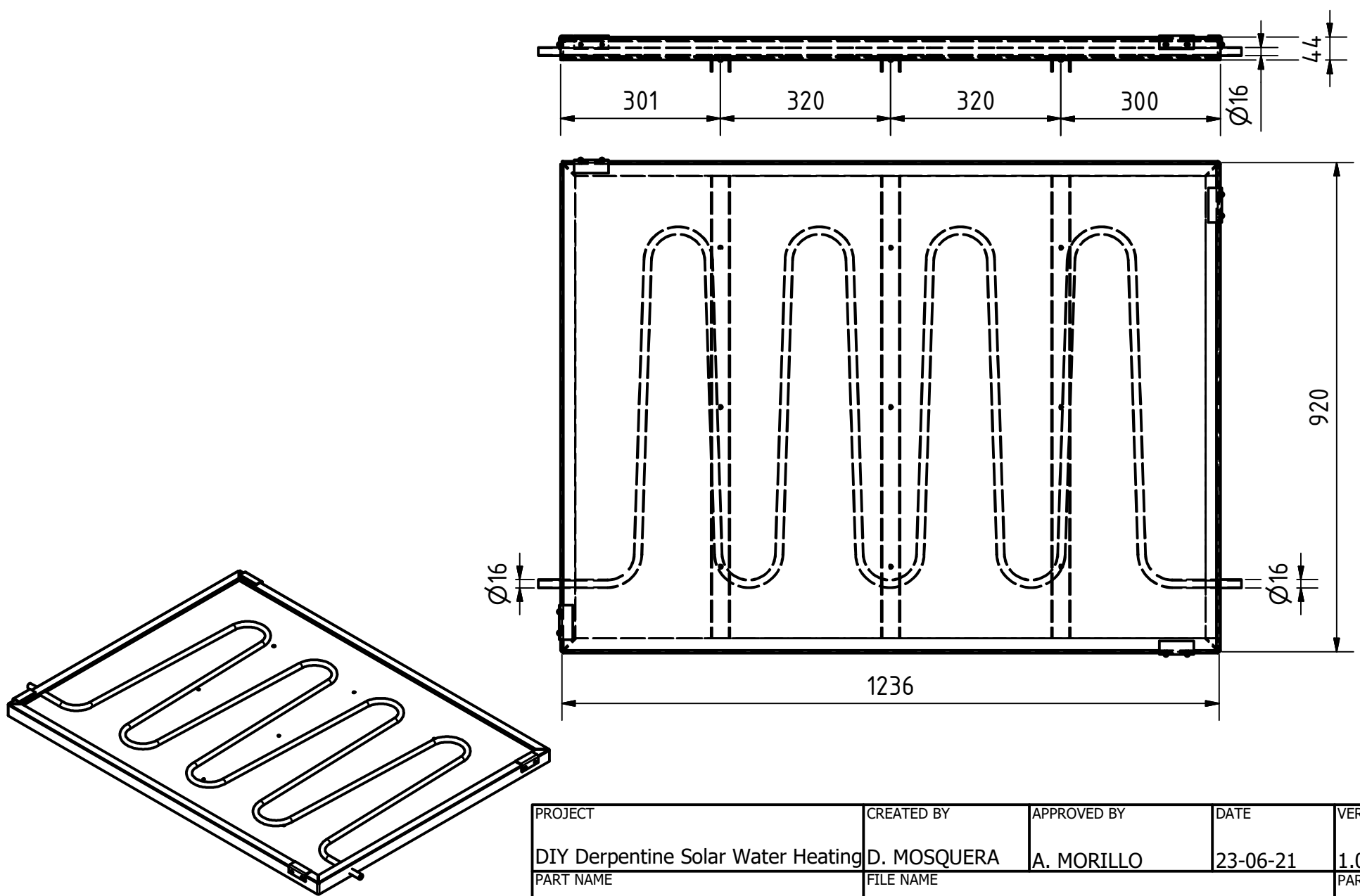
POS	POS.OLD	QTY	PART NAME	FILE NAME	PART TYP	SPECIFICATIONS	SHEET
6.0		2	Pipe 1/2"x350	aid_dswh_pipe-1-2plgx150.ipt	Production	Pipe PVC, sch40	29
7.0		5	pipe 1/2"x150	aid_dswh_pipe-1-2plgx100.ipt	Production	Pipe PVC, sch40	30
8.0		3,0m	Hose 1/2"	aid_dswh_pipe-flex-1-2.ipt	Standard	Rubber or vinyl	
9.0		4	clamp	aid_dswh_1-2hose-clamp.ipt	Standard	threaded clamp DN 1/2"	
10.0		7	Elbow 1/2"	aid_dswh_elbow-1-2.ipt	Standard	threaded Elbow DN1/2", Pipe PVC	
11.0		4	Nipple 1/2"	aid_dswh_nipple-1-2.ipt	Standard	threaded Nipple DN1/2", Pipe PVC	
12.0		2	Tee 1/2"	aid_dswh_tee-1-2.ipt	Standard	threaded Tee DN1/2", Pipe PVC	


PROJECT		CREATED BY	APPROVED BY	DATE	VERSION
DIY Derpentine Solar Water Heating		D. MOSQUERA	A. MORILLO	23-06-21	1.0
PART NAME		FILE NAME			PART CODE
PART LIST					B2
DEVELOPED BY		REDESIGNED BY		DOC. TYPE	MATERIAL
Appropriate Infrastructure Development Group		 OPEN SOURCE ECOLOGY GERMANY		PART LIST	
				LICENCE	SCALE
		OSEG		CC-BY-SA 4.0	5 /30

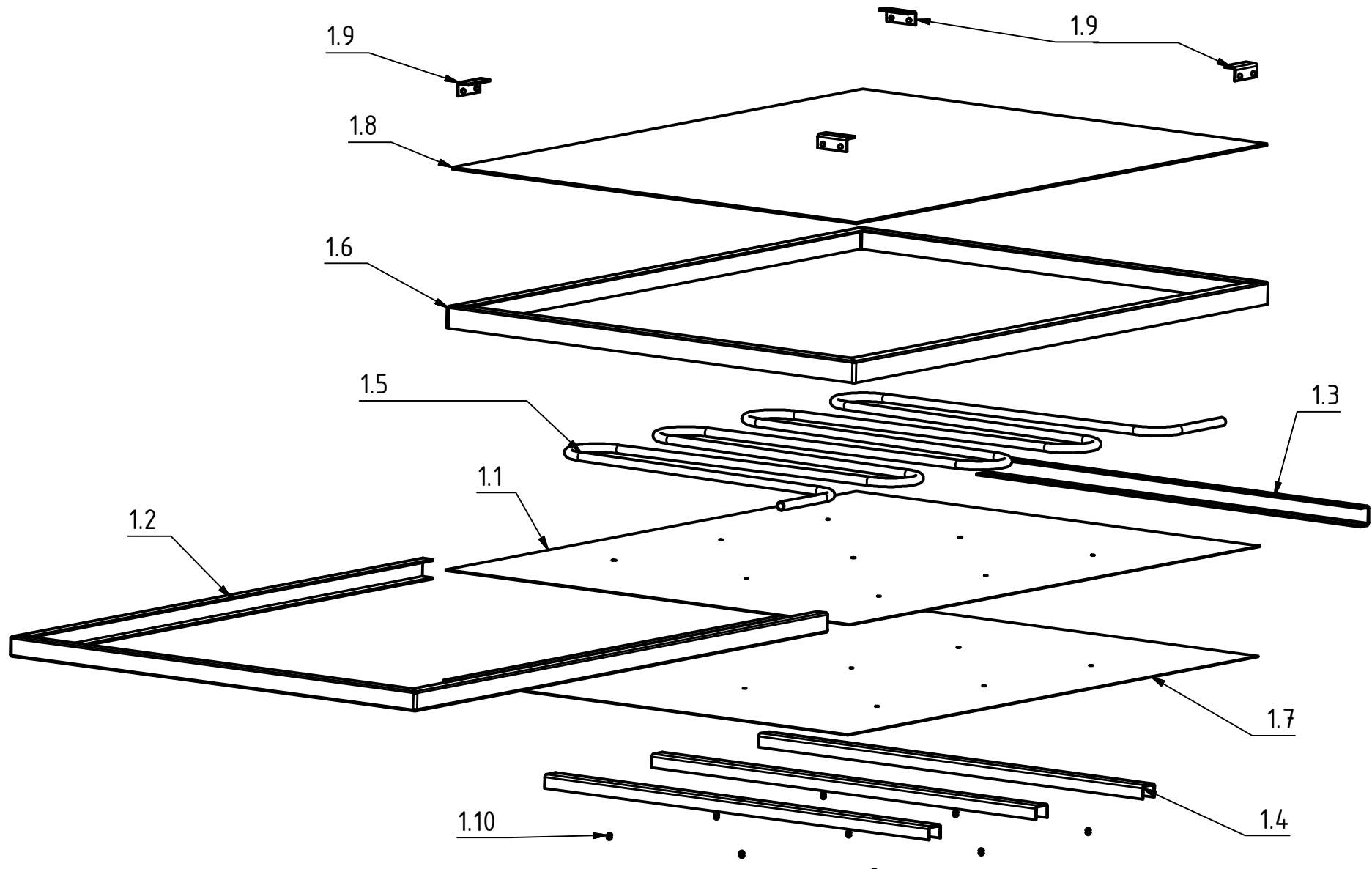
TECHNICAL NOTES


NOTES	CONTENT
GENERAL NOTES	
Metal structure treatment	Iron structures should be painted to prevent rust and improve equipment life. - Remove loose rust with a wire brush, sandpaper or chemical rust remover. - If applicable, sand areas where paint is chipping until surface is smooth. - Remove dust or oil with a degreaser or denatured alcohol. - Prime surface to protect against rust and corrosion
Foundations fixing	- The ground must be stable and have a low water table. - The structure must be fixed on firm oncrete soil or on poured footings with steel reinforcement. - The anchorage can be bolted with expansive ramplugs or welded.
...	...
...	...

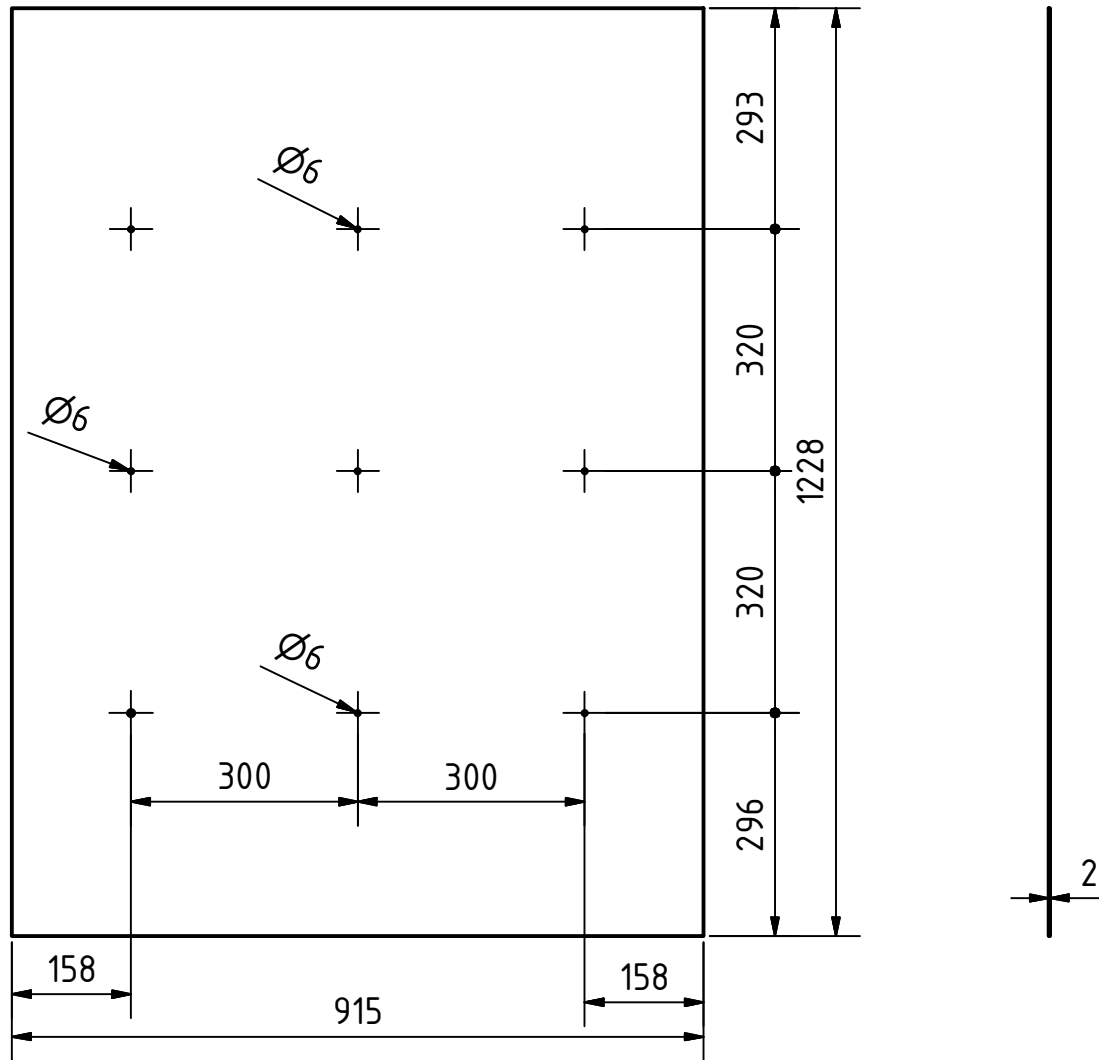
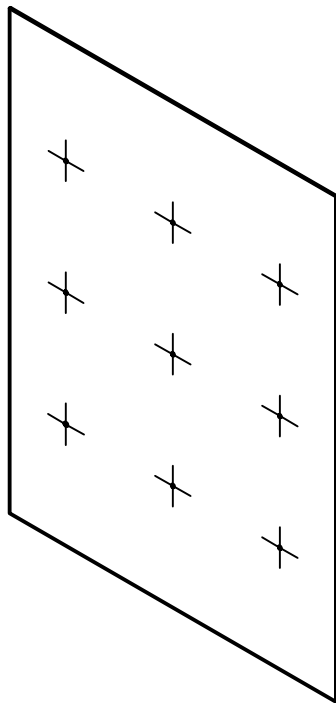
PROJECT	CREATED BY	APPROVED BY	DATE	VERSION
DIY Derpentine Solar Water Heating	D. MOSQUERA	A. MORILLO	23-06-21	1.0
PART NAME	FILE NAME			PART CODE
TECH NOTES				C1
DEVELOPED BY	REDESIGNED BY	DOC. TYPE	MATERIAL	QUANTITY
Appropriate Infrastructure Development Group	 OPEN SOURCE ECOLOGY GERMANY OSEG	TECH NOTES		
		LICENCE	SCALE	SHEET
		CC-BY-SA 4.0		6 /30




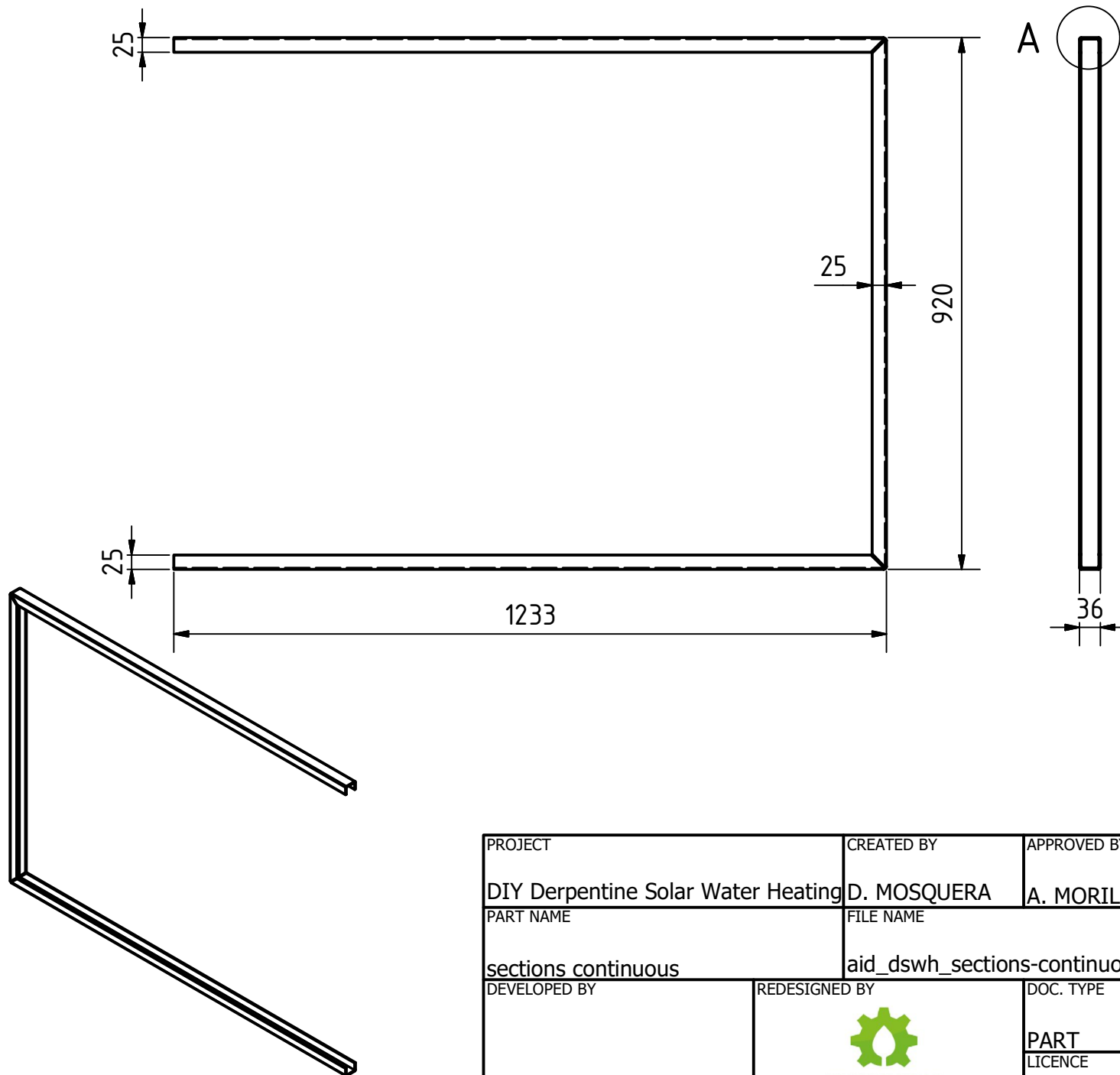
PROJECT	CREATED BY	APPROVED BY	DATE	VERSION
DIY Derpentine Solar Water Heating	D. MOSQUERA	A. MORILLO	23-06-21	1.0
PART NAME	FILE NAME			PART CODE
Serpentine collector	aid_dswh_serpentine-collector.iam			1.0
DEVELOPED BY	REDESIGNED BY	DOC. TYPE	MATERIAL	QUANTITY
Appropriate Infrastructure Development Group	 OSEG	ASSEMBLY		1
		LICENCE	SCALE	SHEET
		CC-BY-SA 4.0	1:10	7 /30



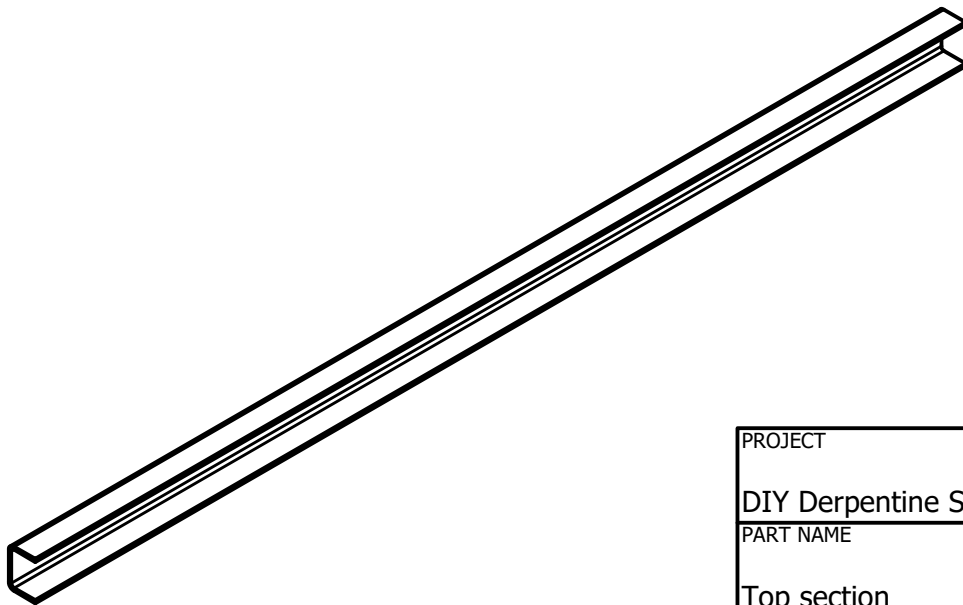
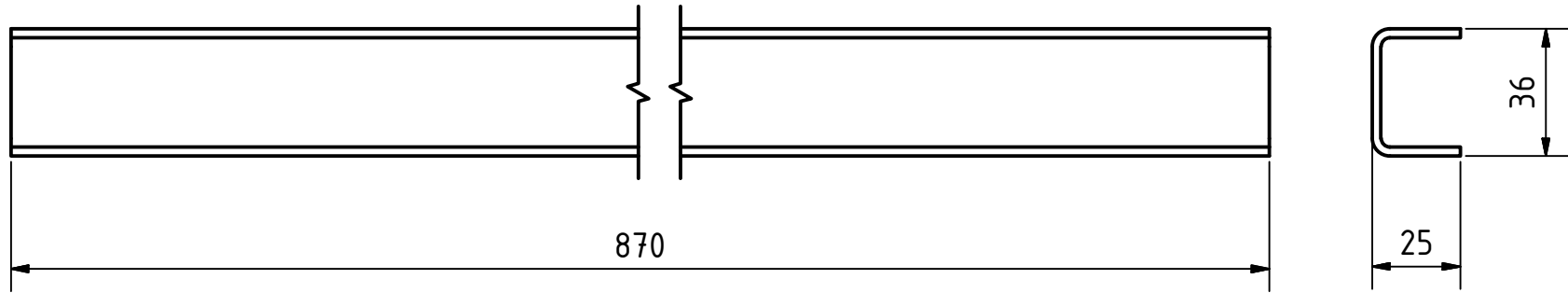
PROJECT	CREATED BY	APPROVED BY	DATE	VERSION
DIY Derpentine Solar Water Heating	D. MOSQUERA	A. MORILLO	23-06-21	1.0
PART NAME	FILE NAME			PART CODE
Serpentine collector	aid_dswh_serpentine-collector.ipn			1.0
DEVELOPED BY	REDESIGNED BY	DOC. TYPE	MATERIAL	QUANTITY
Appropriate Infrastructure Development Group	 OSEG	ASSEMBLY		1
		LICENCE	SCALE	SHEET
		CC-BY-SA 4.0	1:10	8 /30




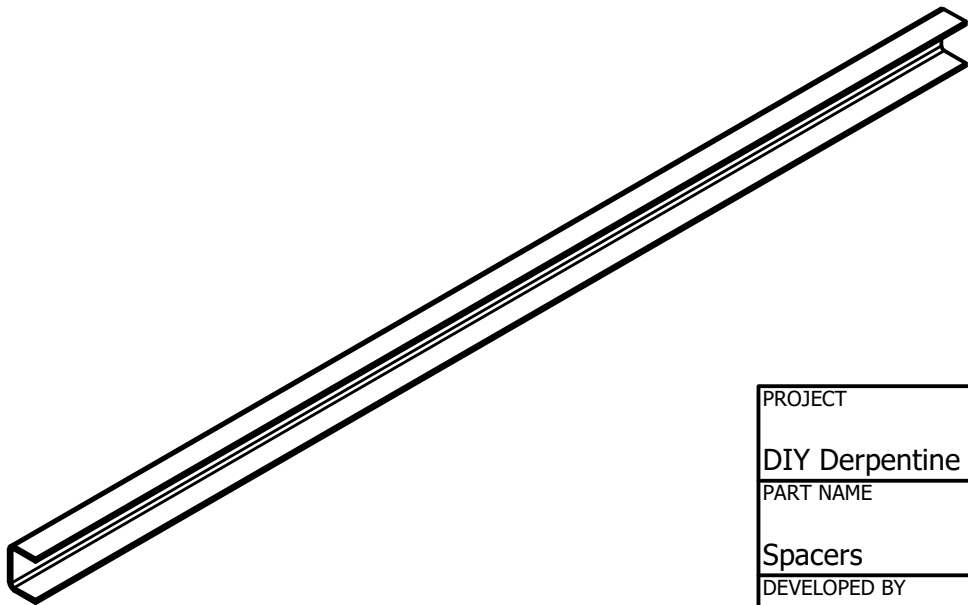
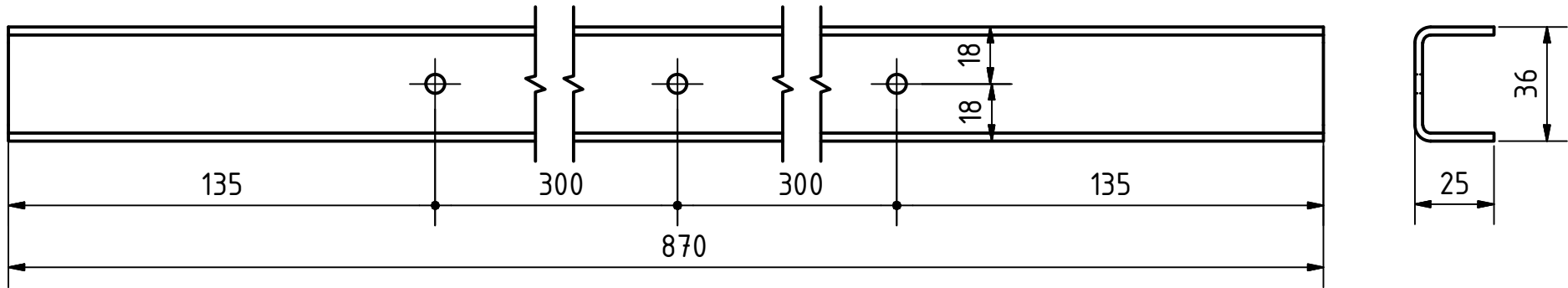
PROJECT		CREATED BY	APPROVED BY	DATE	VERSION
DIY Derpentine Solar Water Heating		D. MOSQUERA	A. MORILLO	23-06-21	1.0
PART NAME		FILE NAME			PART CODE
Backing plate		aid_dswh_backing-plate.ipt			1.1
DEVELOPED BY		REDESIGNED BY		DOC. TYPE	MATERIAL
Appropriate Infrastructure Development Group		 OPEN SOURCE ECOLOGY GERMANY		PART	Galvanized Steel
				LICENCE	SCALE
		OSEG		CC-BY-SA 4.0	1:10
					9 /30



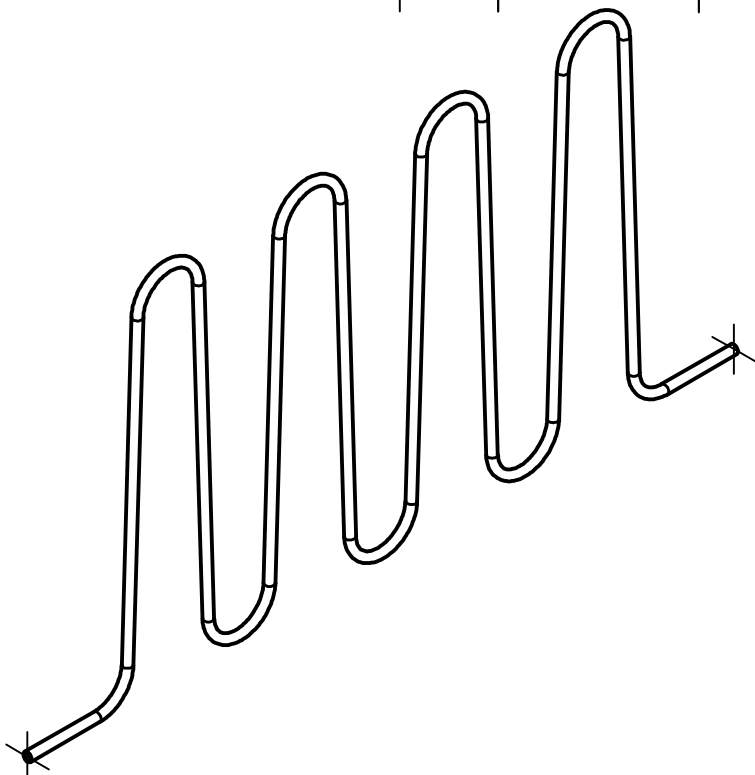
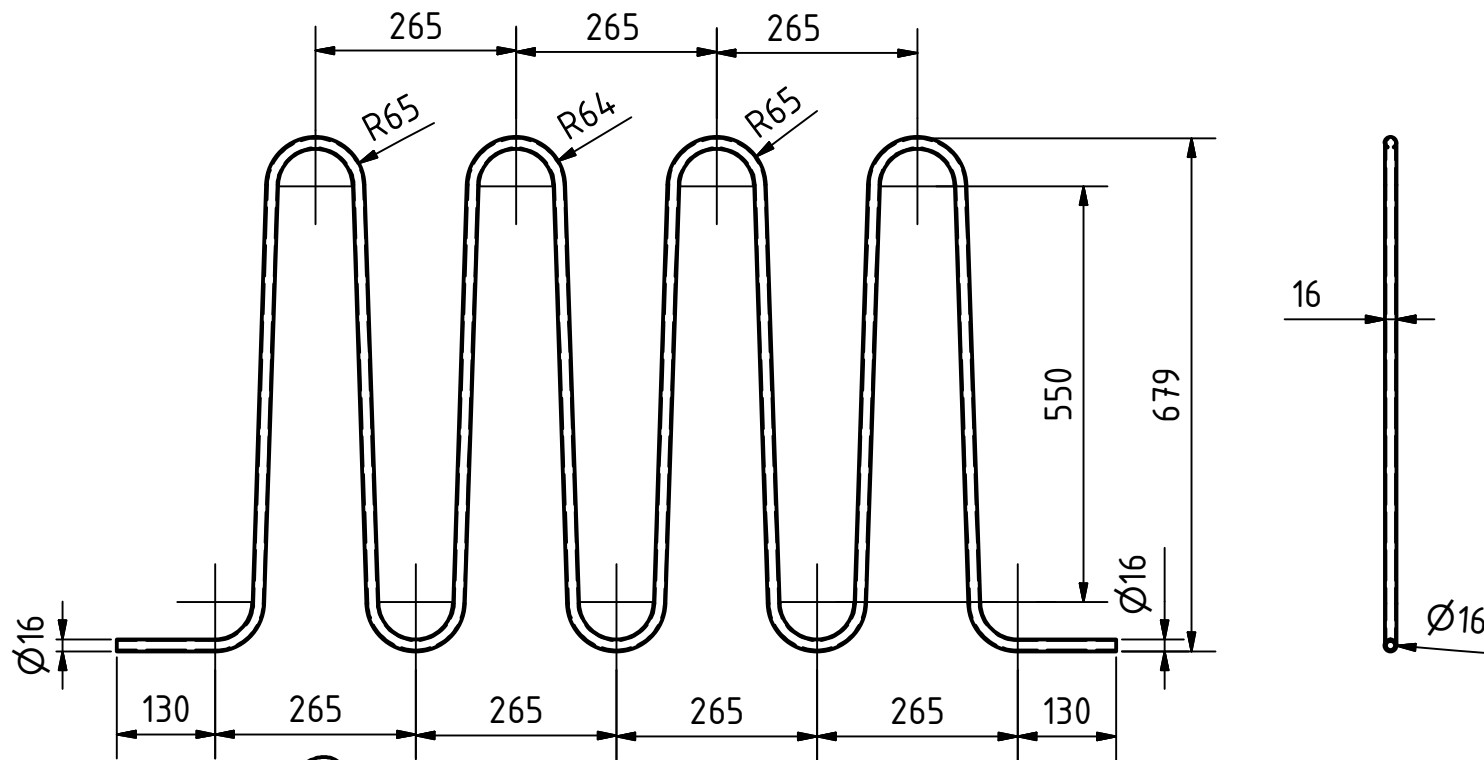
PROJECT	CREATED BY	APPROVED BY	DATE	VERSION
DIY Derpentine Solar Water Heating	D. MOSQUERA	A. MORILLO	23-06-21	1.0
PART NAME	FILE NAME			PART CODE
sections continuous	aid_dswh_sections-continuous.ipt			1.2
DEVELOPED BY	REDESIGNED BY	DOC. TYPE	MATERIAL	QUANTITY
Appropriate Infrastructure Development Group	 OSEG	PART	Galvanized Steel #20	1
		LICENCE	SCALE	SHEET
		CC-BY-SA 4.0	1:10	10 /30




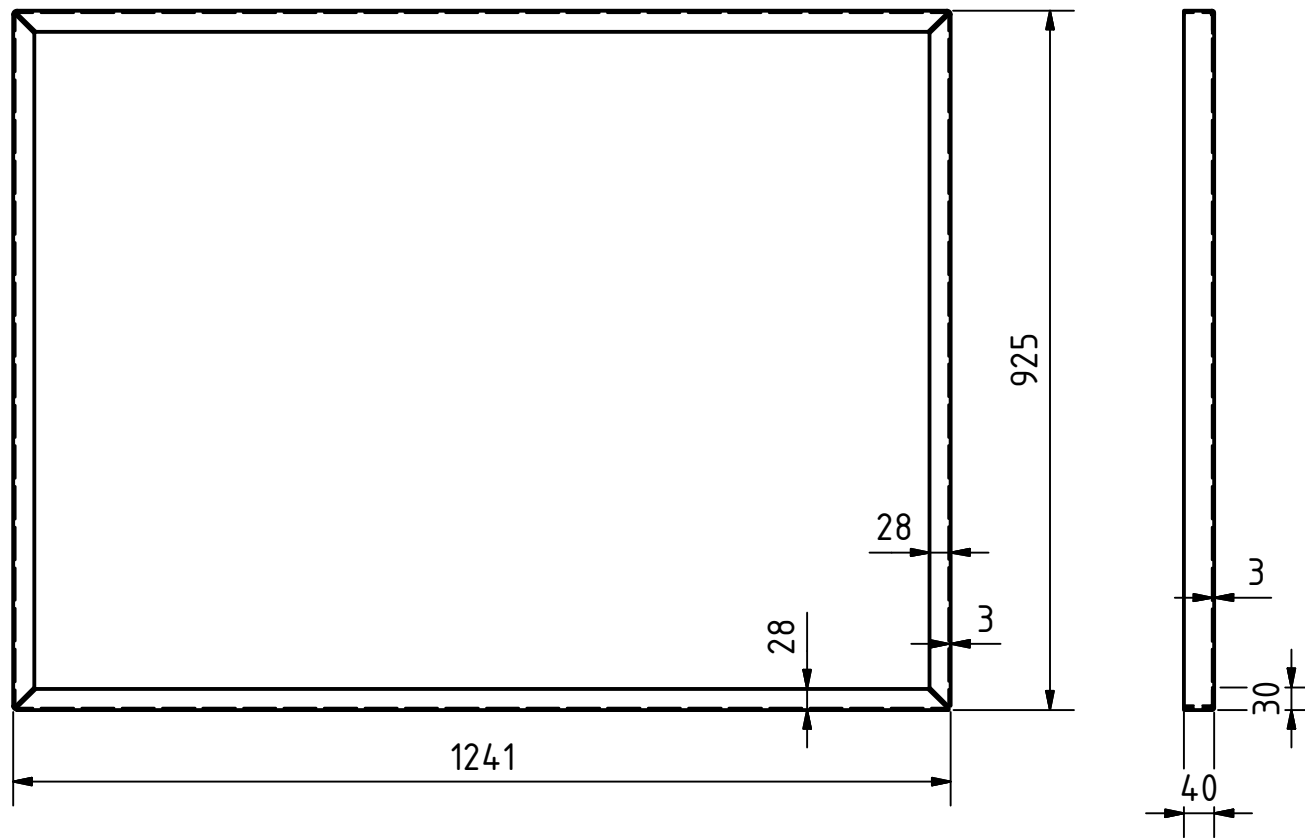
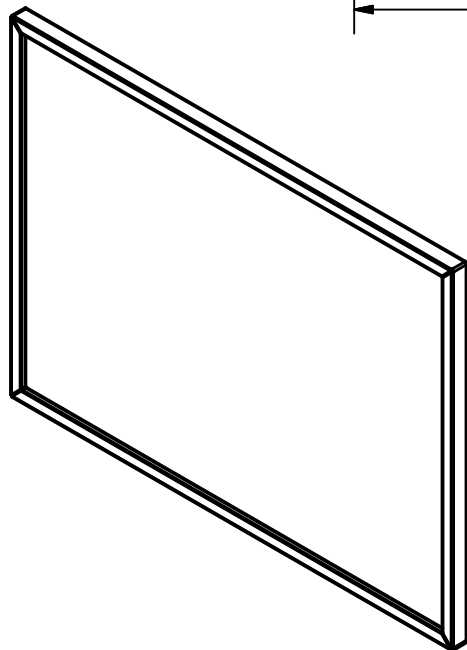
PROJECT	CREATED BY	APPROVED BY	DATE	VERSION
DIY Derpentine Solar Water Heating	D. MOSQUERA	A. MORILLO	23-06-21	1.0
PART NAME	FILE NAME			PART CODE
Top section	aid_dswh_top-section.ipt			1.3
DEVELOPED BY	REDESIGNED BY	DOC. TYPE	MATERIAL	QUANTITY
Appropriate Infrastructure Development Group	 <small>OPEN SOURCE ECOLOGY GERMANY</small> OSEG	PART	Galvanized Steel #20	1
		LICENCE	SCALE	SHEET
		CC-BY-SA 4.0	1:2	11 /30




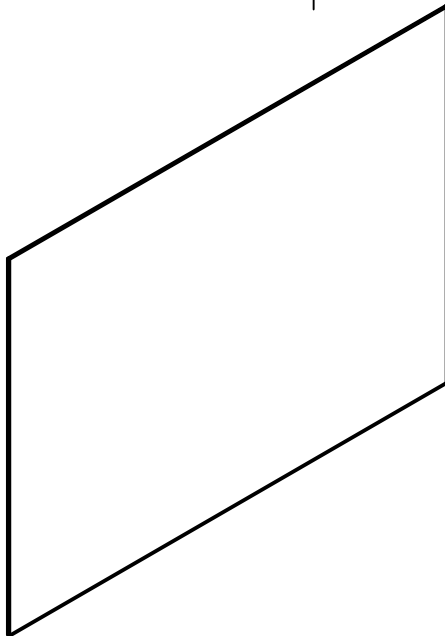
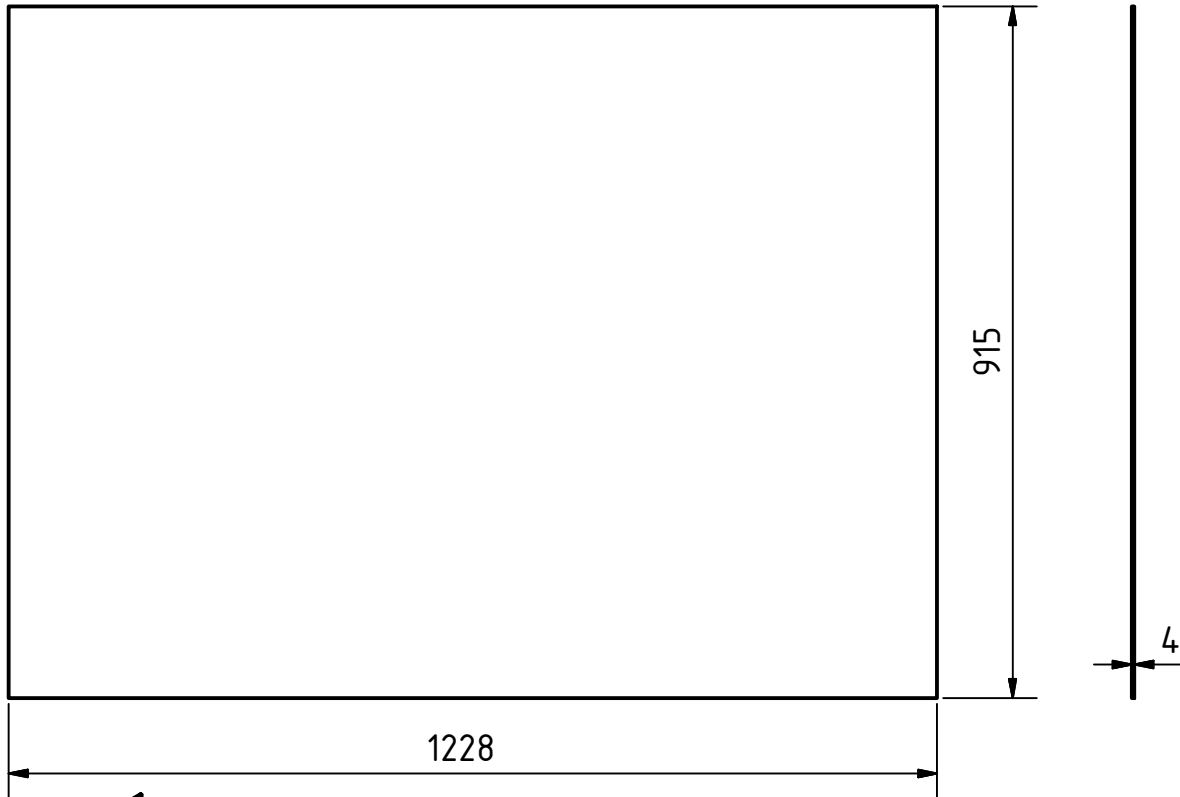
PROJECT		CREATED BY	APPROVED BY	DATE	VERSION
DIY Derpentine Solar Water Heating		D. MOSQUERA	A. MORILLO	23-06-21	1.0
PART NAME		FILE NAME			PART CODE
Spacers		aid_dswh_spacers.ipt			1.4
DEVELOPED BY		REDESIGNED BY		DOC. TYPE	MATERIAL
				PART	Galvanized Steel #20
Appropriate Infrastructure Development Group		OSEG		LICENCE	SCALE
				CC-BY-SA 4.0	1:2
					QUANTITY
					3
					SHEET
					12 /30




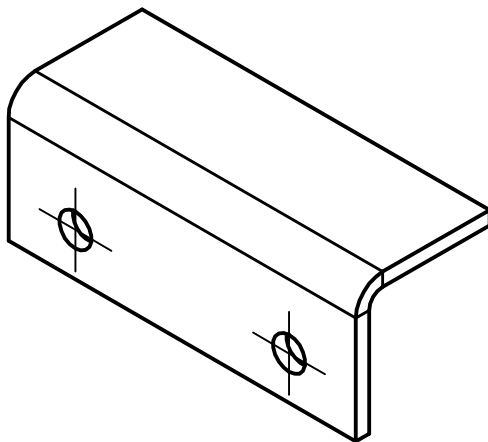
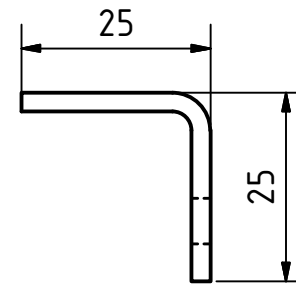
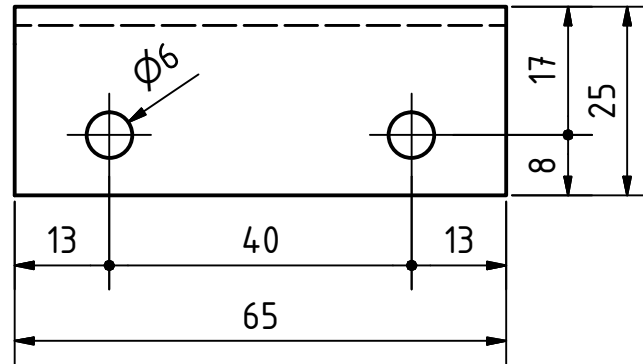
PROJECT		CREATED BY		APPROVED BY		DATE		VERSION	
DIY Derpentine Solar Water Heating		D. MOSQUERA		A. MORILLO		23-06-21		1.0	
PART NAME				FILE NAME				PART CODE	
Zig-zag 1/2 " pipe				aid_dswh_absorber-pipe-1-2.ipt				1.5	
DEVELOPED BY			REDESIGNED BY			DOC. TYPE		MATERIAL	
Appropriate Infrastructure Development Group			 OPEN SOURCE ECOLOGY GERMANY			PART		Galvanized Steel	
			OSEG			LICENCE		SCALE	
						CC-BY-SA 4.0		1:4	
								QUANTITY	
								1	
								SHEET	
								13 /30	



PROJECT	CREATED BY	APPROVED BY	DATE	VERSION
DIY Derpentine Solar Water Heating	D. MOSQUERA	A. MORILLO	23-06-21	1.0
PART NAME	FILE NAME			PART CODE
Ter-flex frame	aid_dswh_ter-flex-frame.ipt			1.6
DEVELOPED BY	REDESIGNED BY	DOC. TYPE	MATERIAL	QUANTITY
Appropriate Infrastructure Development Group	 <small>OPEN SOURCE ECOLOGY GERMANY</small> OSEG	PART	rubber	1
		LICENCE	SCALE	SHEET
		CC-BY-SA 4.0	1:10	14 /30

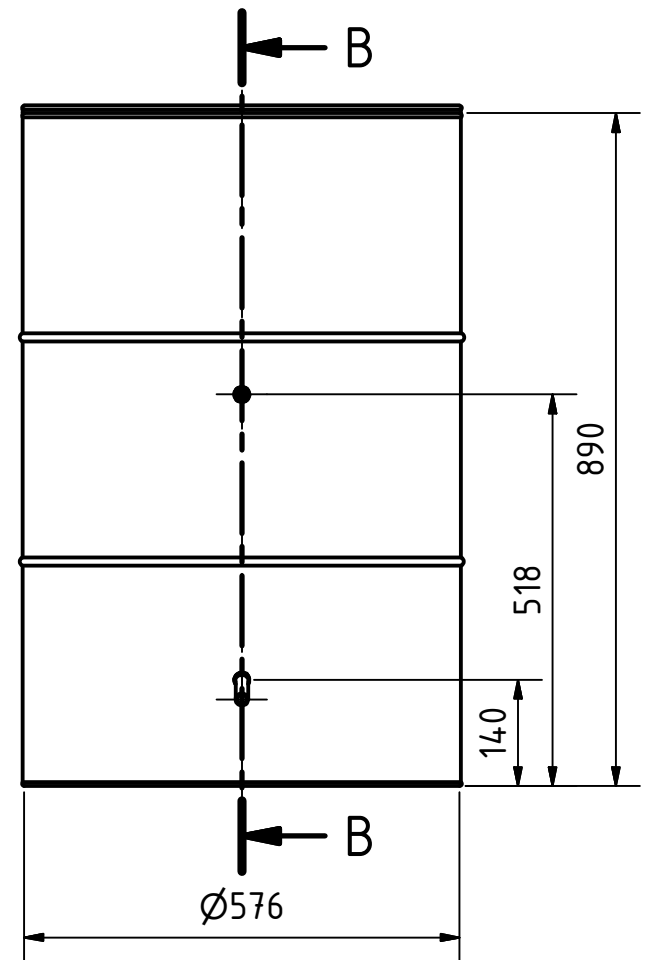
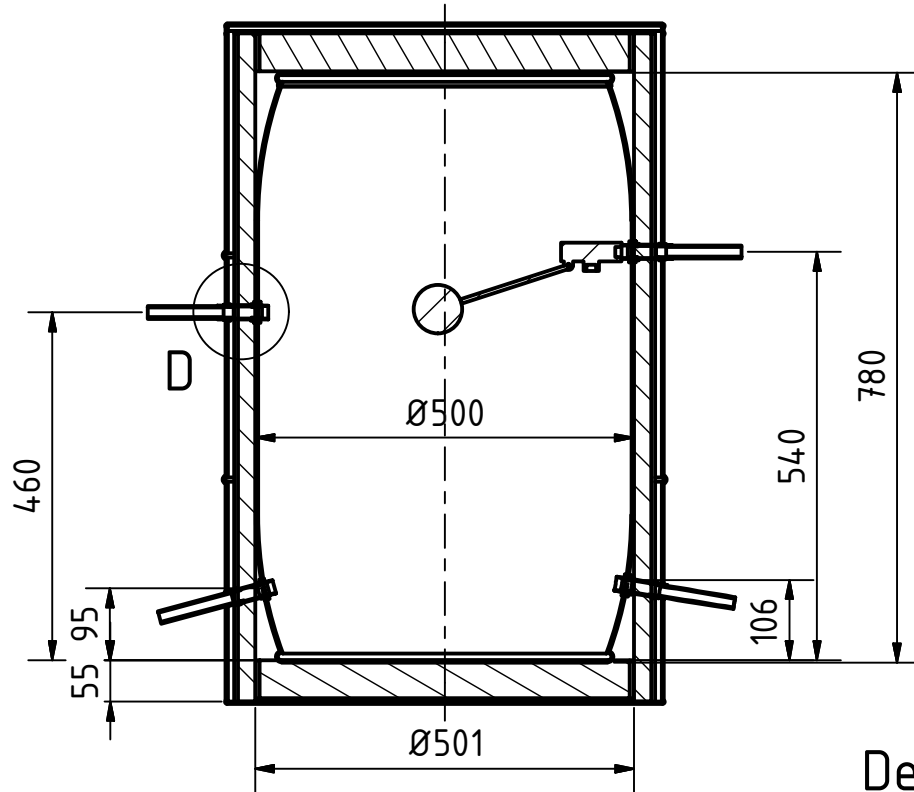


PROJECT	CREATED BY	APPROVED BY	DATE	VERSION
DIY Derpentine Solar Water Heating	D. MOSQUERA	A. MORILLO	23-06-21	1.0
PART NAME	FILE NAME		PART CODE	
cover glass	aid_dswh_cover-glass.ipt		1.8	
DEVELOPED BY	REDESIGNED BY	DOC. TYPE	MATERIAL	QUANTITY
Appropriate Infrastructure Development Group	 <small>OPEN SOURCE ECOLOGY GERMANY</small> OSEG	PART	Glass	1
		LICENCE	SCALE	SHEET
		CC-BY-SA 4.0	1:10	15 /30

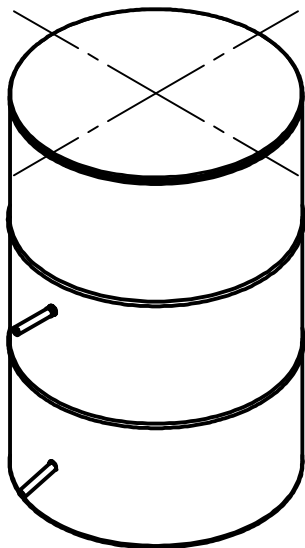
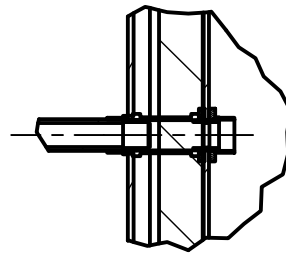


PROJECT	CREATED BY	APPROVED BY	DATE	VERSION
DIY Derpentine Solar Water Heating	D. MOSQUERA	A. MORILLO	23-06-21	1.0
PART NAME	FILE NAME			PART CODE
angle 25 x 25	aid_dswh_angle25.ipt			1.9
DEVELOPED BY	REDESIGNED BY	DOC. TYPE	MATERIAL	QUANTITY
Appropriate Infrastructure Development Group	 OSEG	PART	Steel C45	4
		LICENCE	SCALE	SHEET
		CC-BY-SA 4.0	1:2	16 /30

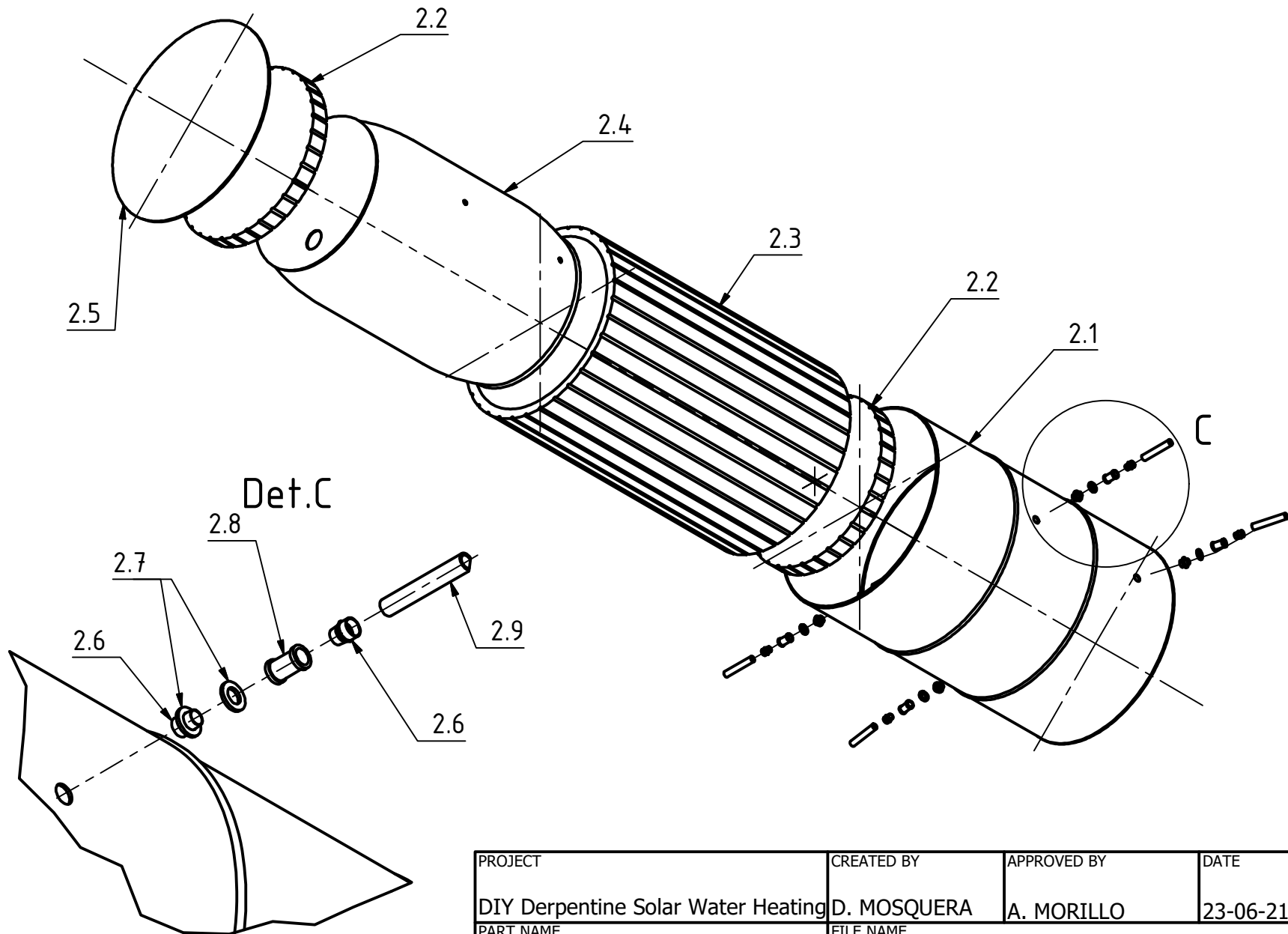
Secc.B-B




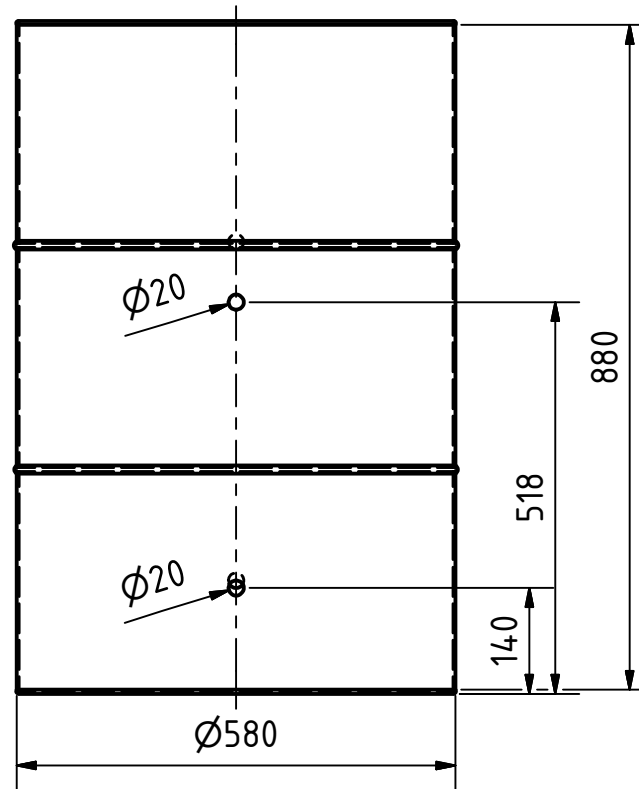
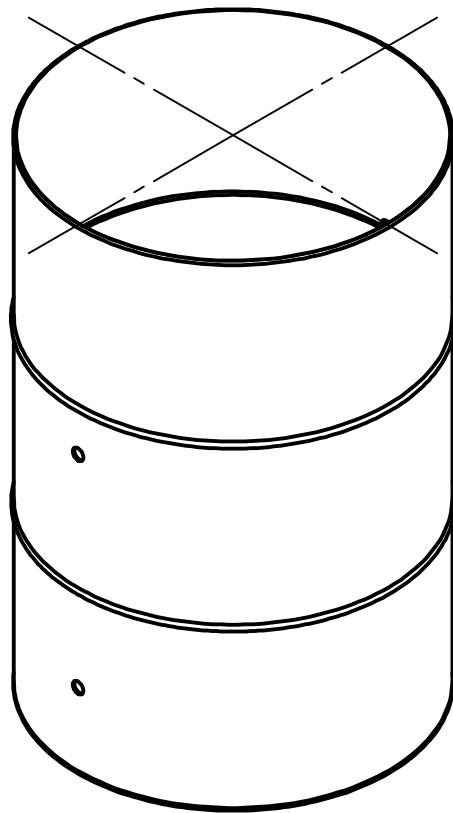
Det.D



PROJECT	CREATED BY	APPROVED BY	DATE	VERSION
DIY Derpentine Solar Water Heating	D. MOSQUERA	A. MORILLO	23-06-21	1.0
PART NAME	FILE NAME	PART CODE		
Hot water tank	aid_dswh_hot-water-tank.iam	2.0		
DEVELOPED BY	REDESIGNED BY	DOC. TYPE	MATERIAL	QUANTITY
Appropriate Infrastructure Development Group	OSEG	ASSEMBLY		1
		LICENCE	SCALE	SHEET
		CC-BY-SA 4.0	1:10	17 /30

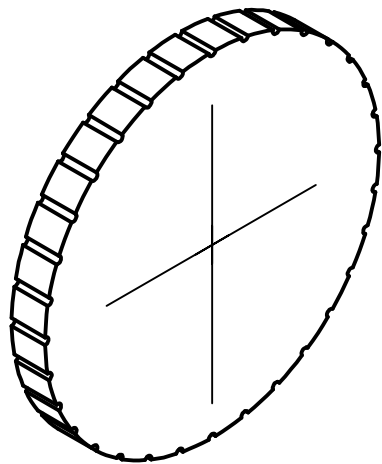
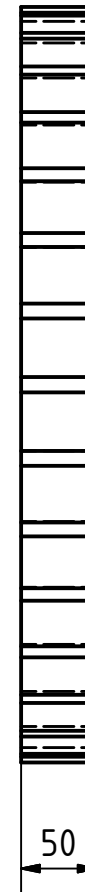
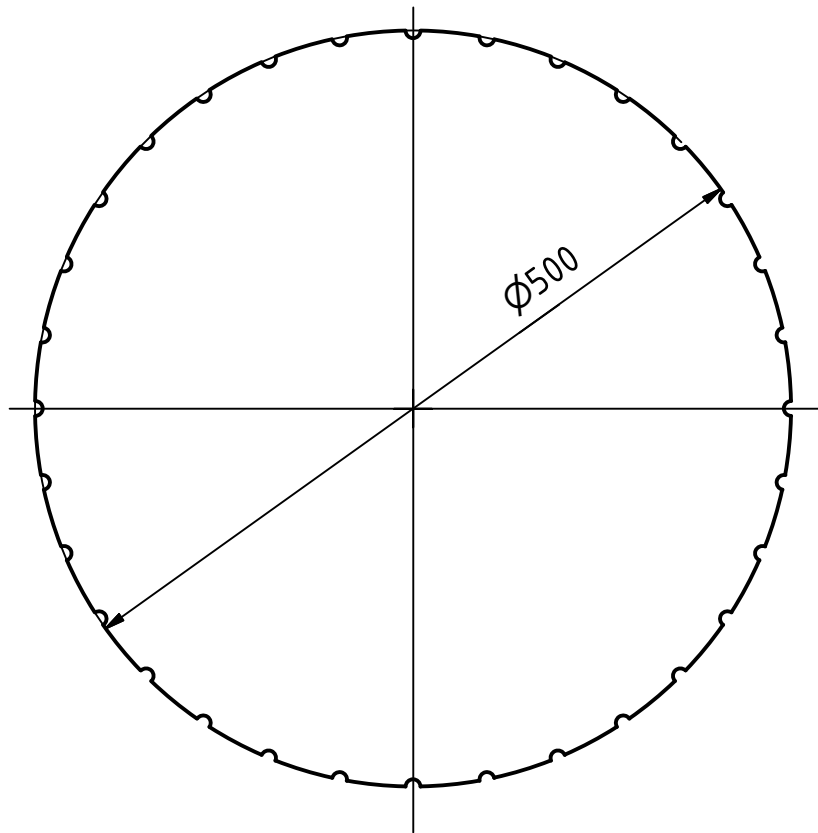



PROJECT	CREATED BY	APPROVED BY	DATE	VERSION
DIY Derpentine Solar Water Heating	D. MOSQUERA	A. MORILLO	23-06-21	1.0
PART NAME	FILE NAME		PART CODE	
Hot water tank	aid_dswh_hot-water-tank.ipn		2.0	
DEVELOPED BY	REDESIGNED BY	DOC. TYPE	MATERIAL	QUANTITY
Appropriate Infrastructure Development Group	 OSEG	ASSEMBLY		1
		LICENCE	SCALE	SHEET
		CC-BY-SA 4.0	1:15	18 /30

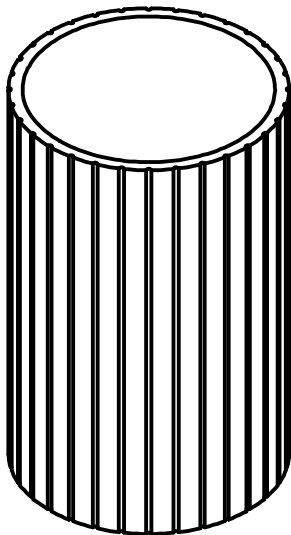
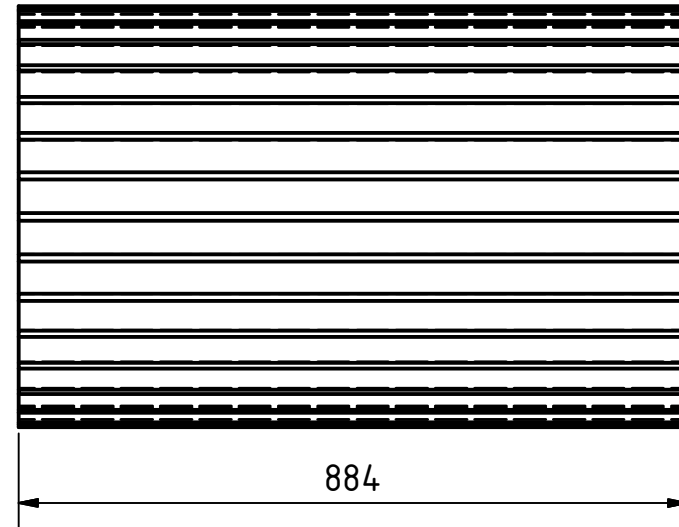
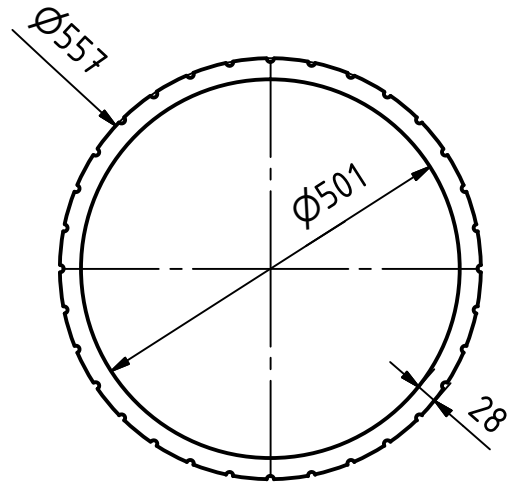



NOTE: holes aligned to inner tank tubes

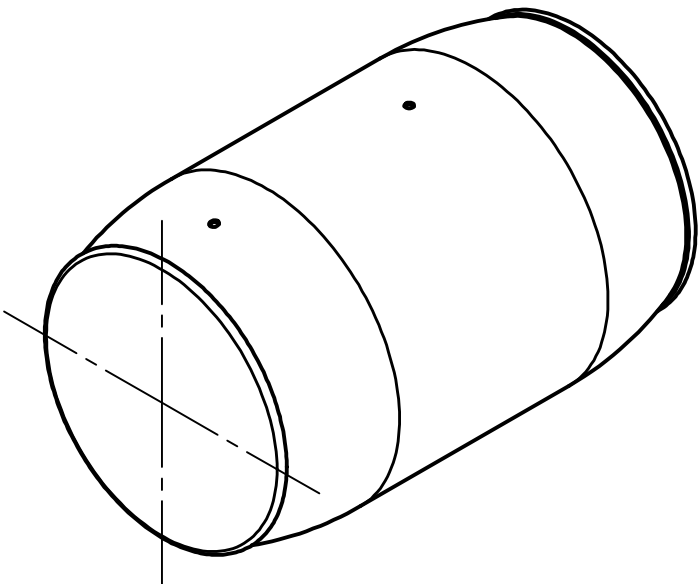
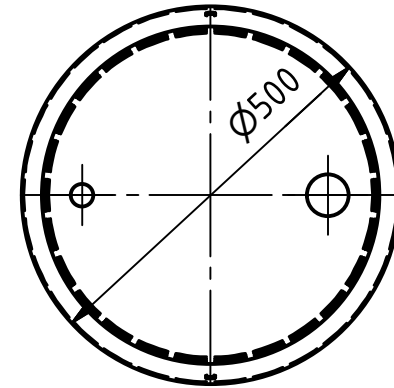
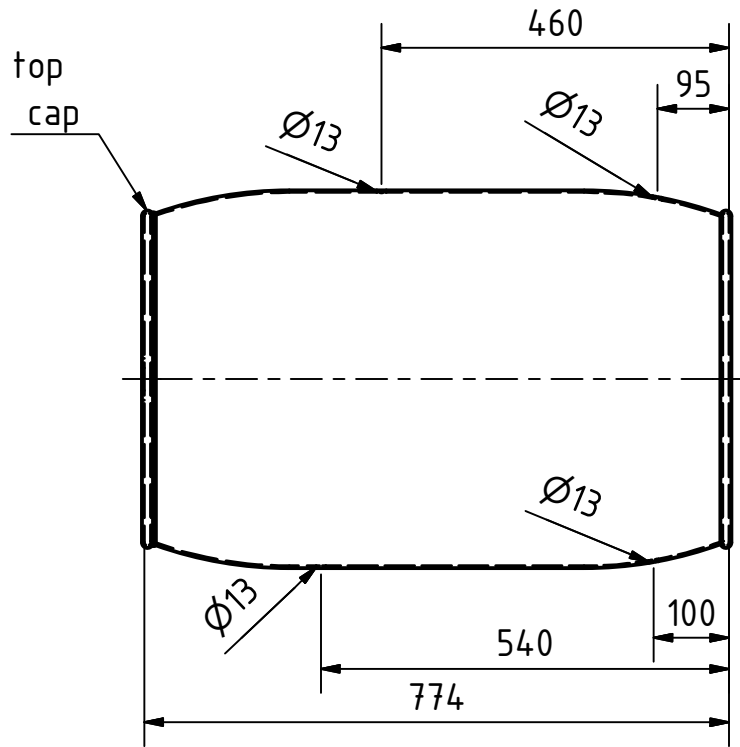
PROJECT	CREATED BY	APPROVED BY	DATE	VERSION
DIY Derpentine Solar Water Heating	D. MOSQUERA	A. MORILLO	23-06-21	1.0
PART NAME	FILE NAME			PART CODE
Metal drum	aid_dswh_metal-drum-55g.ipt			2.1
DEVELOPED BY	REDESIGNED BY	DOC. TYPE	MATERIAL	QUANTITY
Appropriate Infrastructure Development Group	 OSEG	PART		1
		LICENCE		SCALE
		CC-BY-SA 4.0	1:5	19 /30




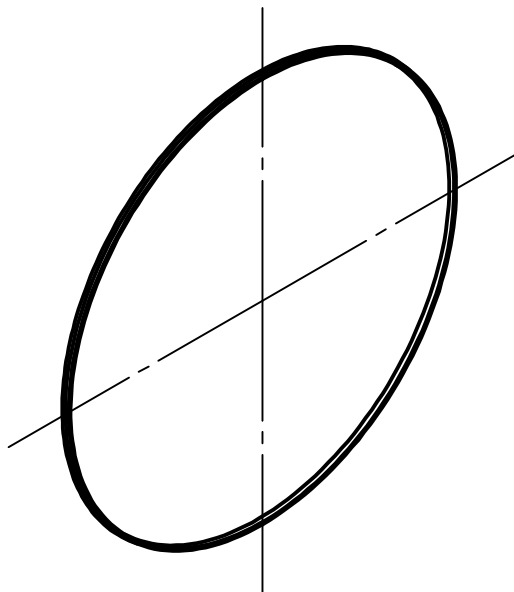
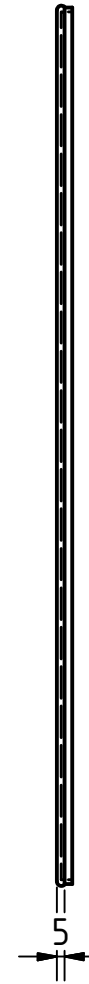
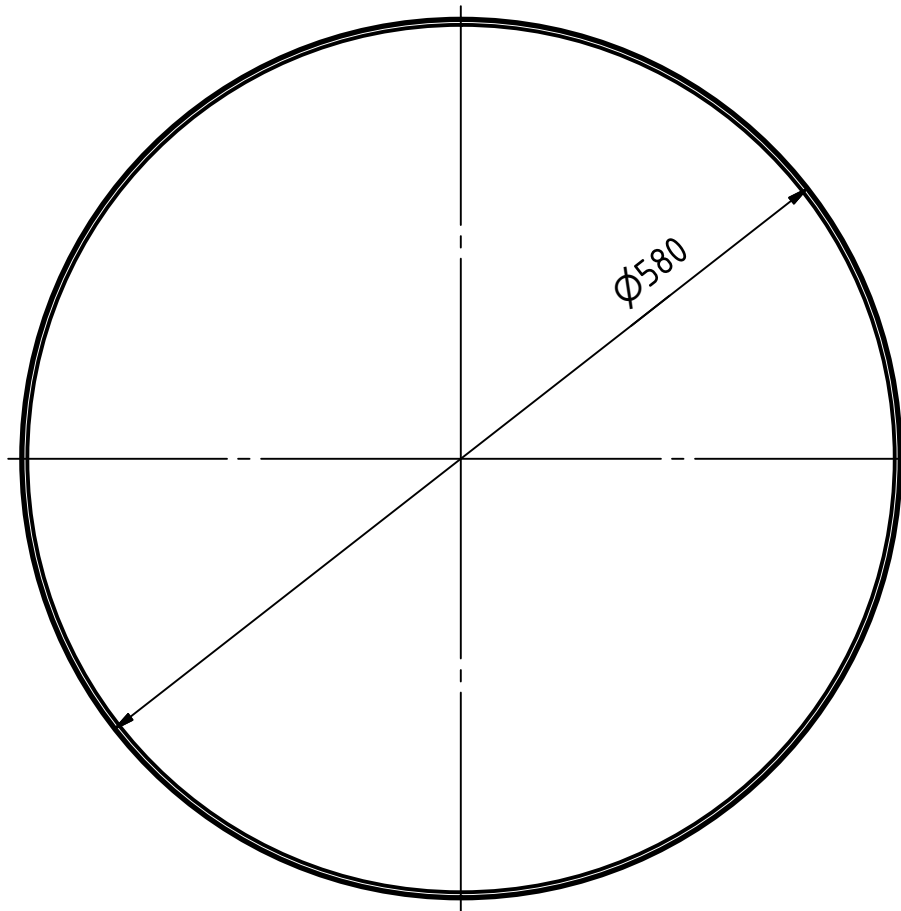
PROJECT		CREATED BY	APPROVED BY	DATE	VERSION	
DIY Derpentine Solar Water Heating		D. MOSQUERA	A. MORILLO	23-06-21	1.0	
PART NAME		FILE NAME			PART CODE	
Ter-flex up tank		aid_dswh_ter-flex-up-tank.ipt			2.2	
DEVELOPED BY		REDESIGNED BY		DOC. TYPE	MATERIAL	
Appropriate Infrastructure Development Group		 <small>OPEN SOURCE ECOLOGY GERMANY</small>		PART	Termaflex	QUANTITY
				LICENCE	SCALE	SHEET
		OSEG		CC-BY-SA 4.0	1:5	20 /30




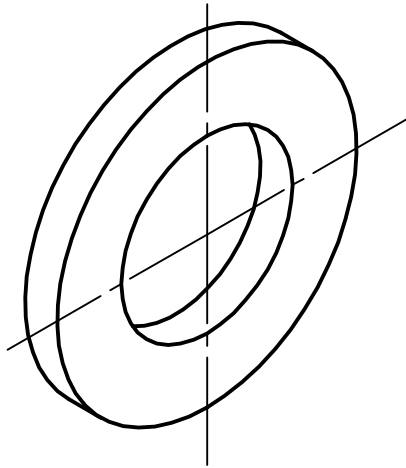
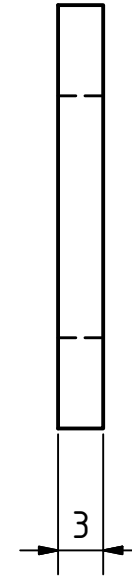
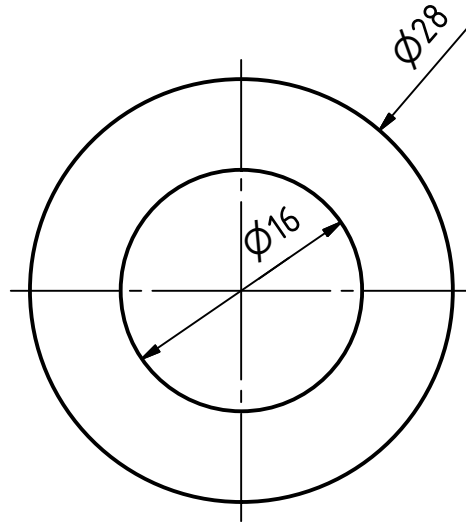
PROJECT		CREATED BY	APPROVED BY	DATE	VERSION	
DIY Derpentine Solar Water Heating		D. MOSQUERA	A. MORILLO	23-06-21	1.0	
PART NAME		FILE NAME			PART CODE	
Ter flex tank		aid_dswh_ter-flex-tank.ipt			2.3	
DEVELOPED BY		REDESIGNED BY		DOC. TYPE	MATERIAL	
Appropriate Infrastructure Development Group		 <small>OPEN SOURCE ECOLOGY GERMANY</small>		PART	Termaflex	1
				LICENCE	SCALE	SHEET
		OSEG		CC-BY-SA 4.0	1:10	21 /30




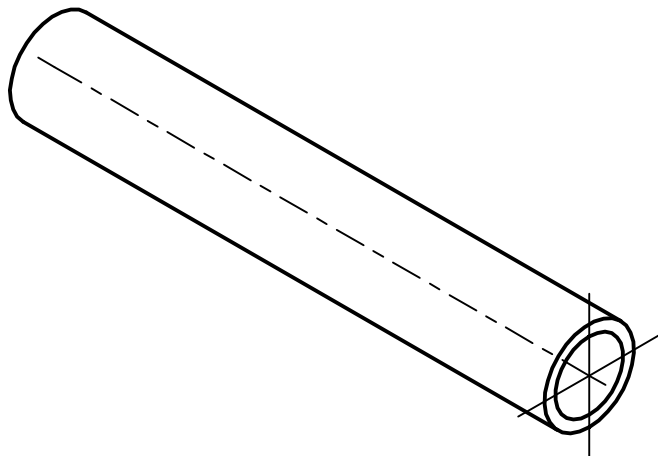
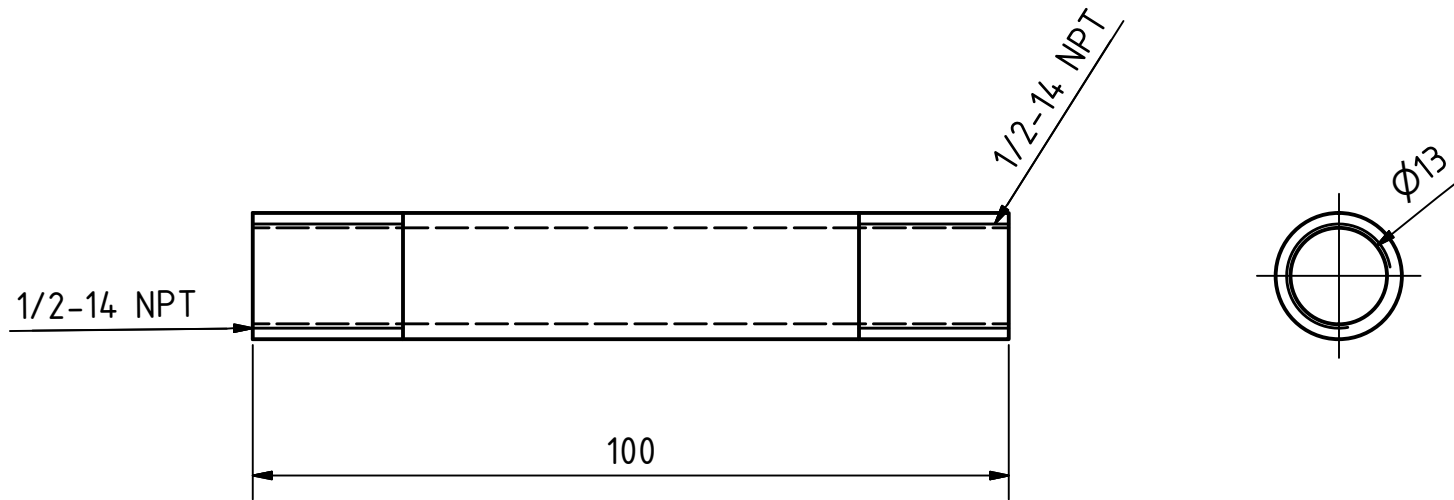
PROJECT	CREATED BY	APPROVED BY	DATE	VERSION
DIY Derpentine Solar Water Heating	D. MOSQUERA	A. MORILLO	23-06-21	1.0
PART NAME	FILE NAME			PART CODE
barrel plastic + lid	aid_dswh_barrel-tank-35g.ipt			2.4
DEVELOPED BY	REDESIGNED BY	DOC. TYPE	MATERIAL	QUANTITY
Appropriate Infrastructure Development Group	 OSEG	PART LICENCE	HDPE	1
		CC-BY-SA 4.0	SCALE	SHEET
			1:10	22 /30




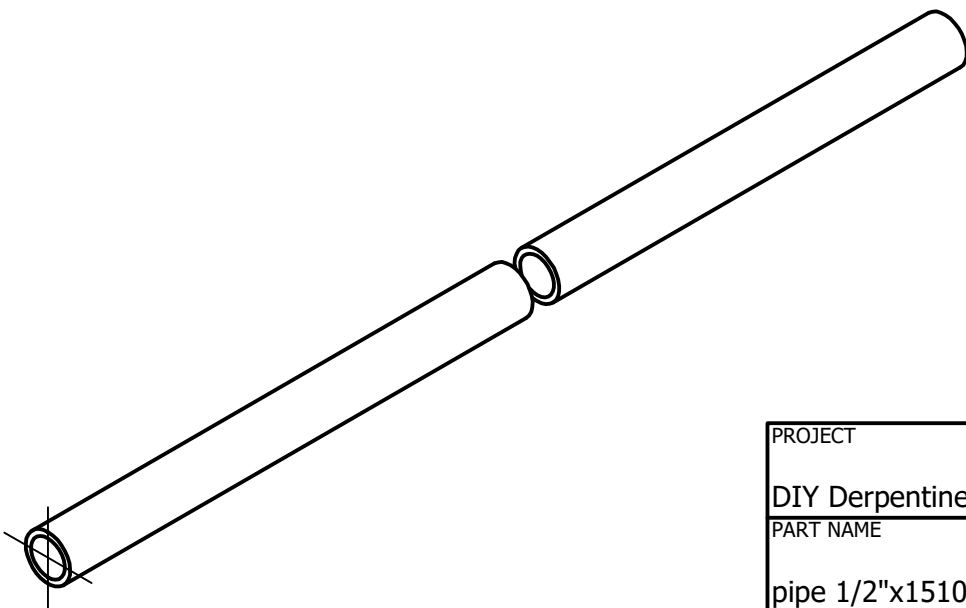
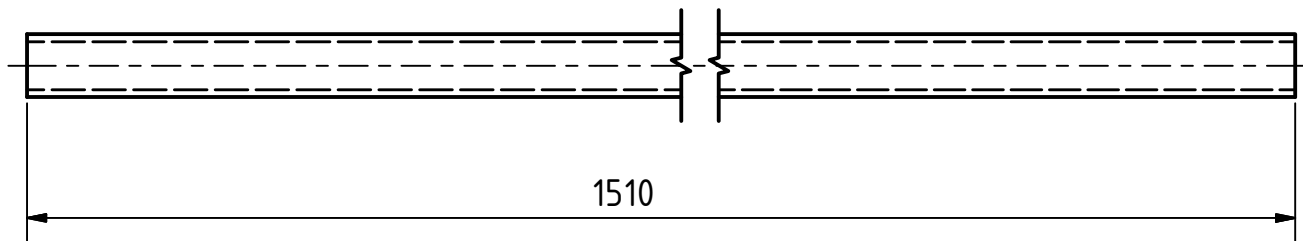
PROJECT		CREATED BY	APPROVED BY	DATE	VERSION
DIY Derpentine Solar Water Heating		D. MOSQUERA	A. MORILLO	23-06-21	1.0
PART NAME		FILE NAME			PART CODE
Cover metal drum		aid_dswh_cover-metal-drum-55g.ipt			2.5
DEVELOPED BY		REDESIGNED BY	DOC. TYPE	MATERIAL	QUANTITY
Appropriate Infrastructure Development Group		 OPEN SOURCE ECOLOGY GERMANY	PART		1
			LICENCE	SCALE	SHEET
		OSEG	CC-BY-SA 4.0	1:5	23 /30




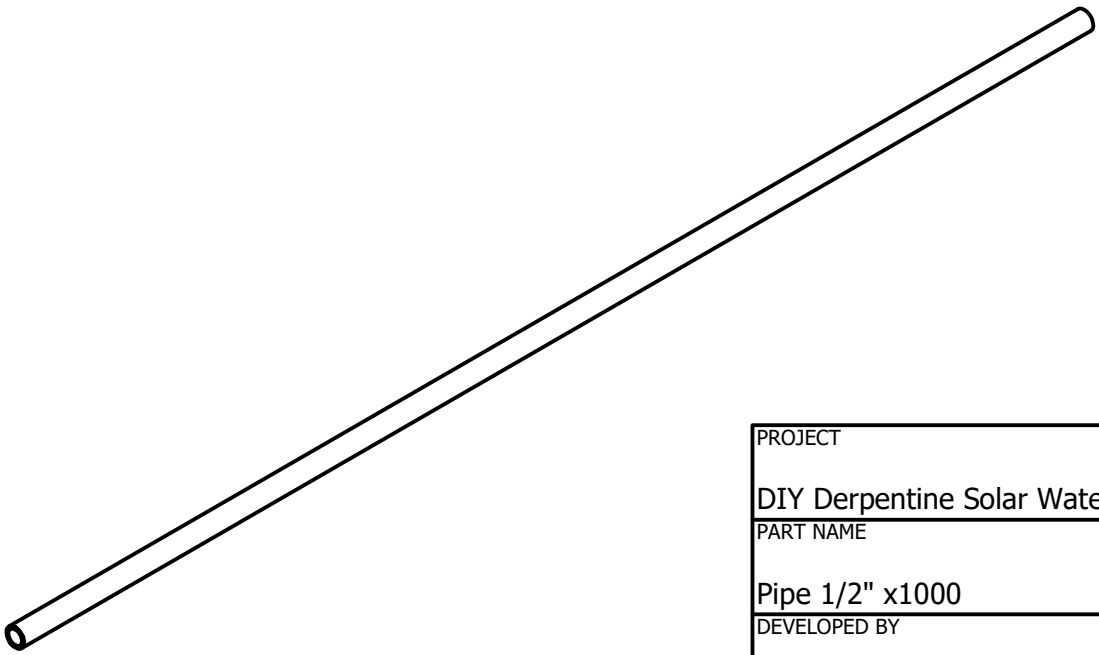
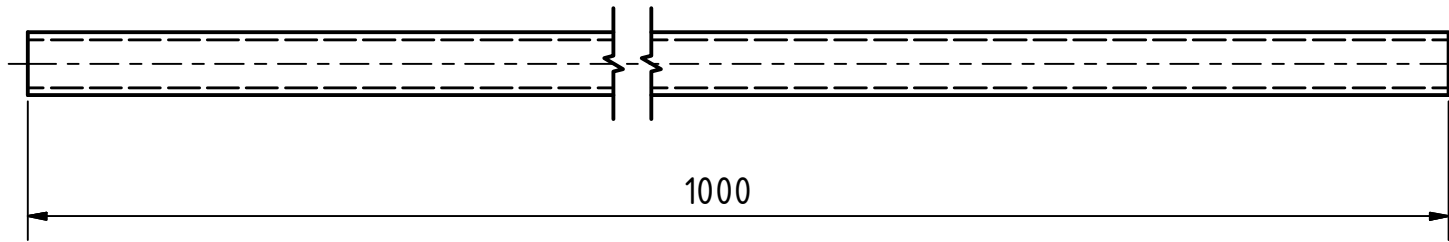
PROJECT		CREATED BY	APPROVED BY	DATE	VERSION	
DIY Derpentine Solar Water Heating		D. MOSQUERA	A. MORILLO	23-06-21	1.0	
PART NAME		FILE NAME			PART CODE	
Rubber seals		aid_dswh_rubber-seals.ipt			2.7	
DEVELOPED BY		REDESIGNED BY		DOC. TYPE	MATERIAL	
Appropriate Infrastructure Development Group		 <small>OPEN SOURCE ECOLOGY GERMANY</small>		PART	Rubber	2
				LICENCE	SCALE	SHEET
		OSEG		CC-BY-SA 4.0	2:1	
					24 /30	




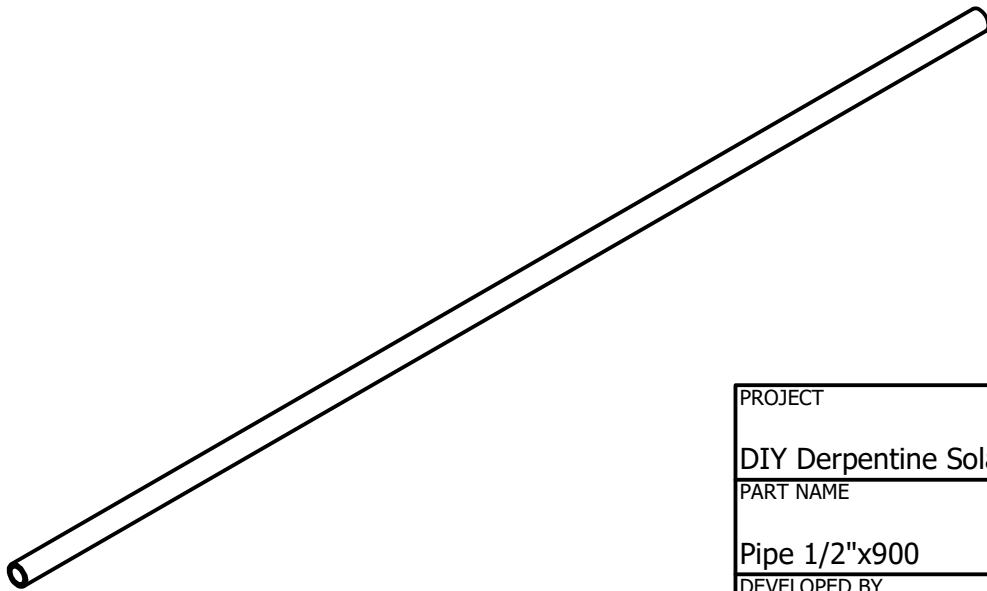
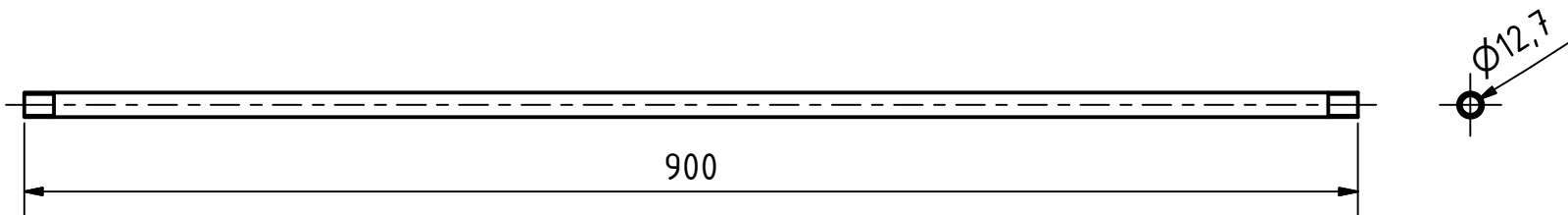
PROJECT		CREATED BY	APPROVED BY	DATE	VERSION	
DIY Derpentine Solar Water Heating		D. MOSQUERA	A. MORILLO	23-06-21	1.0	
PART NAME		FILE NAME			PART CODE	
Pipe 1/2 plg		aid_dswh_pipe-1-2plgx150.ipt			2.9	
DEVELOPED BY		REDESIGNED BY		DOC. TYPE	MATERIAL	
Appropriate Infrastructure Development Group		 <small>OPEN SOURCE ECOLOGY GERMANY</small> OSEG		PART	Glvanized Steel	4
				LICENCE	SCALE	SHEET
		CC-BY-SA 4.0		2:1	25 /30	



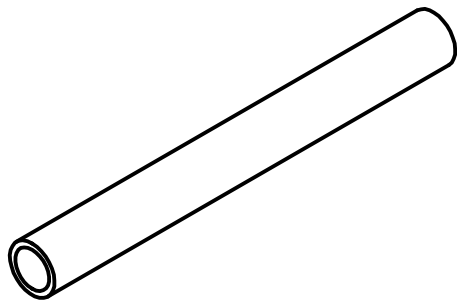
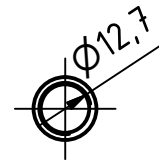
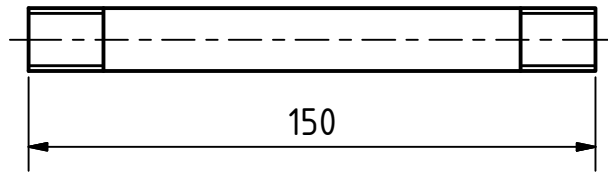
PROJECT		CREATED BY	APPROVED BY	DATE	VERSION
DIY Derpentine Solar Water Heating		D. MOSQUERA	A. MORILLO	23-06-21	1.0
PART NAME		FILE NAME			PART CODE
pipe 1/2"x1510		aid_dswh_pipe-1-2plgx1510.ipt			3.0
DEVELOPED BY		REDESIGNED BY		DOC. TYPE	MATERIAL
Appropriate Infrastructure Development Group		 <small>OPEN SOURCE ECOLOGY GERMANY</small> OSEG		PART	Pipe PVC
				LICENCE	SCALE
		CC-BY-SA 4.0		1:5	1
					SHEET
					26 /30




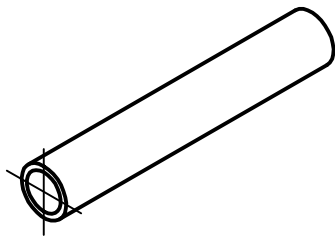
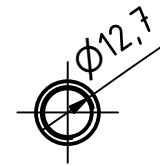
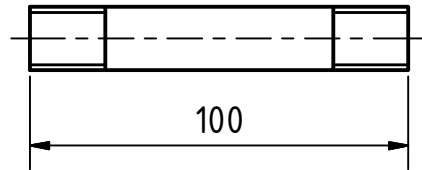
PROJECT		CREATED BY	APPROVED BY	DATE	VERSION
DIY Derpentine Solar Water Heating		D. MOSQUERA	A. MORILLO	23-06-21	1.0
PART NAME		FILE NAME			PART CODE
Pipe 1/2" x1000		aid_dswh_pipe-1-2plgx1000.ipt			4.0
DEVELOPED BY		REDESIGNED BY		DOC. TYPE	MATERIAL
Appropriate Infrastructure Development Group		 <small>OPEN SOURCE ECOLOGY GERMANY</small>		PART	Pipe PVC
				LICENCE	SCALE
		OSEG		CC-BY-SA 4.0	1:2
					4
					27 /30




PROJECT	CREATED BY	APPROVED BY	DATE	VERSION
DIY Derpentine Solar Water Heating	D. MOSQUERA	A. MORILLO	23-06-21	1.0
PART NAME	FILE NAME			PART CODE
Pipe 1/2"x900	aid_dswh_pipe-1-2plgx900.ipt			5.0
DEVELOPED BY	REDESIGNED BY	DOC. TYPE	MATERIAL	QUANTITY
Appropriate Infrastructure Development Group	 OSEG	PART	Pipe PVC	2
		LICENCE	SCALE	SHEET
		CC-BY-SA 4.0	1:5	28 /30



PROJECT		CREATED BY	APPROVED BY	DATE	VERSION
DIY Derpentine Solar Water Heating		D. MOSQUERA	A. MORILLO	23-06-21	1.0
PART NAME		FILE NAME			PART CODE
Pipe 1/2"x350		aid_dswh_pipe-1-2plgx150.ipt			6.0
DEVELOPED BY		REDESIGNED BY		DOC. TYPE	MATERIAL
Appropriate Infrastructure Development Group		 <small>OPEN SOURCE ECOLOGY GERMANY</small>		PART	Pipe PVC
				LICENCE	SCALE
		OSEG		CC-BY-SA 4.0	1:2
					29 /30



PROJECT	CREATED BY	APPROVED BY	DATE	VERSION
DIY Derpentine Solar Water Heating	D. MOSQUERA	A. MORILLO	23-06-21	1.0
PART NAME	FILE NAME			PART CODE
pipe 1/2"x150	aid_dswh_pipe-1-2plgx100.ipt			7.0
DEVELOPED BY	REDESIGNED BY	DOC. TYPE	MATERIAL	QUANTITY
Appropriate Infrastructure Development Group	 <small>OPEN SOURCE ECOLOGY GERMANY</small> OSEG	PART	Pipe PVC	5
		LICENCE	SCALE	SHEET
		CC-BY-SA 4.0	1:2	30 /30