


Project Crown cap machine		Created by D. Mosquera		Approved by D. Jeager	
Part Name Fork-lever		Part Code 3.0		Document Type ASSEMBLY	
Redesigned by 		Original drawing from Practical ACTION		License CERN-OHL	
		File Name oseg_ccm_3_fork-lever.iam		Version 1.0	
		Scale 1:2		Quantity 1	
				Date 16.11.20	

4

3

2

1

4

3

2

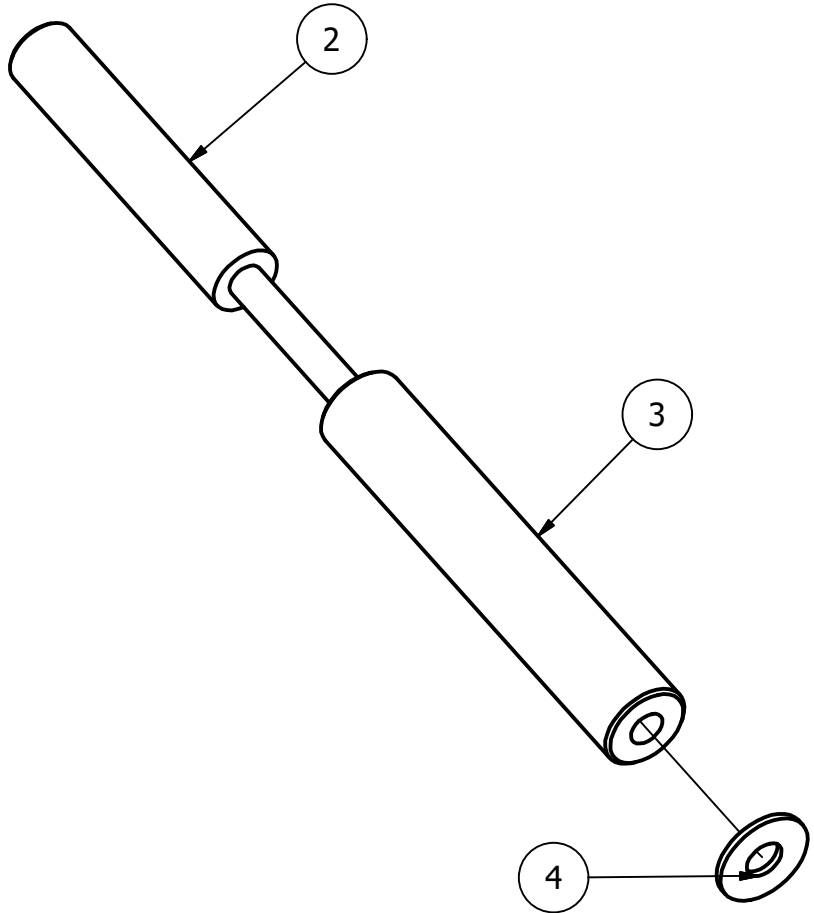
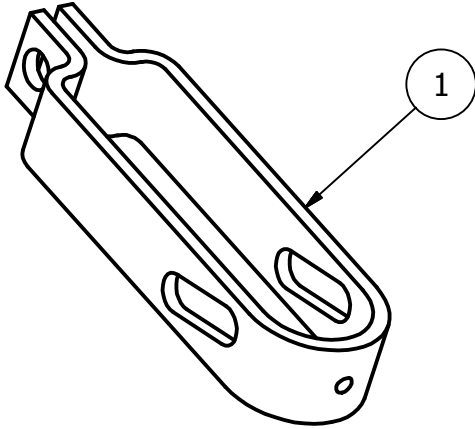
1

4

3

2

1




B

B

A

A

Project Crown cap machine		Created by D. Mosquera	Approved by D. Jeager		
Part Name Fork-lever		Part Code 3.0	Document Type ASSEMBLY	Material	
Redesigned by 	Original drawing from Practical ACTION	License CERN-OHL	File Name oseg_ccm_3_fork-lever.iam	Version 1.0	Quantity
			Scale 1:2	Sheet 20	Date 16.11.20

4

3

2

1