
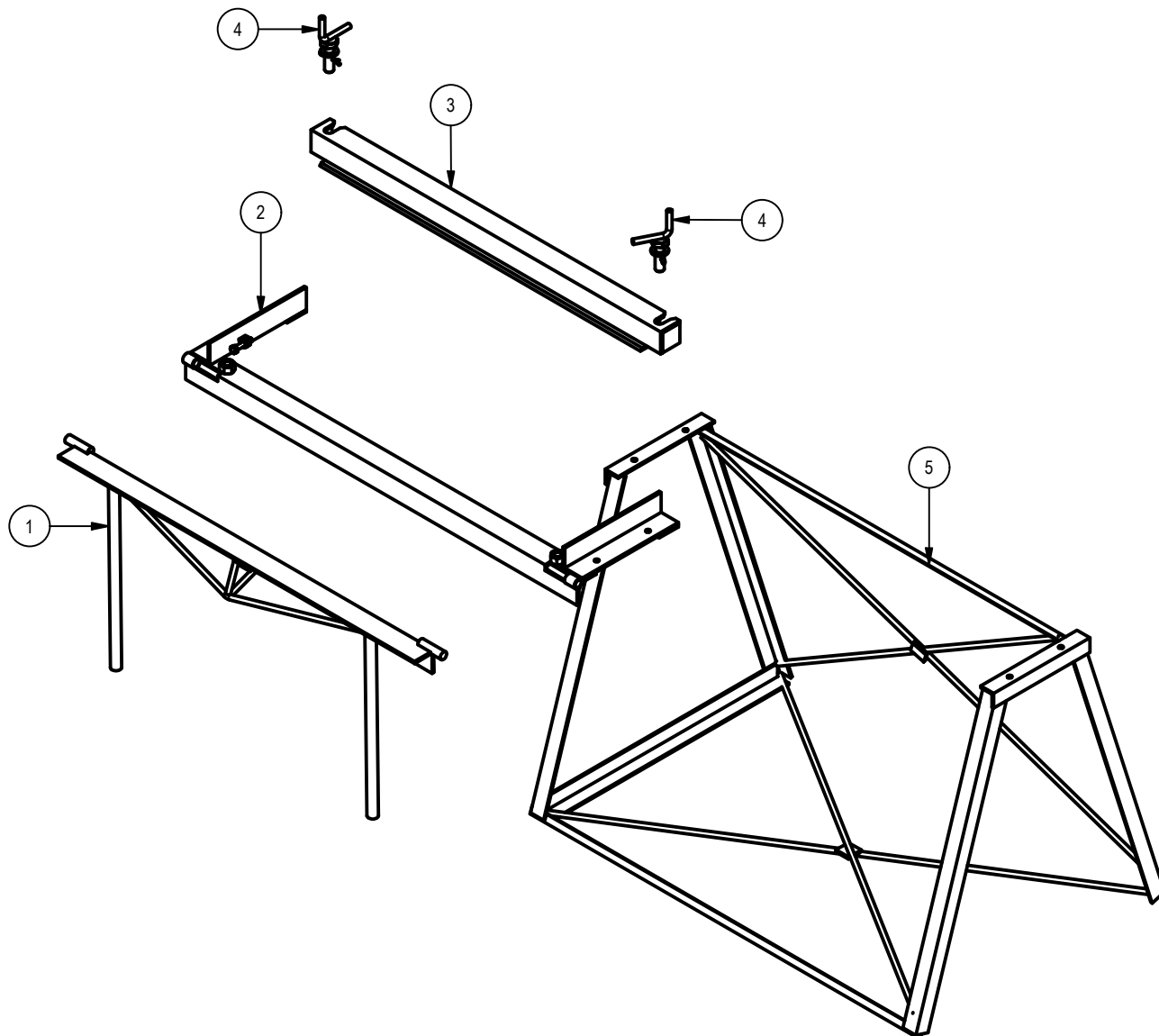



PROJECT Metal Folding Machine		CREATED BY A. PARDO		APPROVED BY D. Jaeger	
PART NAME Metal Folding Machine		PART CODE A1		DOCUMENT TYPE ASSEMBY	
 <p>Open Source Ecology e.V. Knobelsdorffstr. 22 14059 Berlin www.ose-germany.de +49 (0) 30 / 92282426</p>		LICENSE CERN-OHL		FILE NAME Metal Folding Machine.iam	
		SCALE 1 / 10		VERSION 1.0	
				SHEET 1	
				DATE 15/11/2020	



PROJECT Metal Folding Machine		CREATED BY A. PARDO		APPROVED BY D. Jaeger	
PART NAME Metal Folding Machine		PART CODE A1		DOCUMENT TYPE ASSEMBY	
 <p>Open Source Ecology e.V. Knobelsdorffstr. 22 14059 Berlin www.ose-germany.de +49 (0) 30 / 92282426</p>		LICENSE CERN-OHL		FILE NAME Metal Folding Machine.iam	
		SCALE 1 / 15		VERSION 1.0	
		SHEET 2		DATE 15/11/2020	