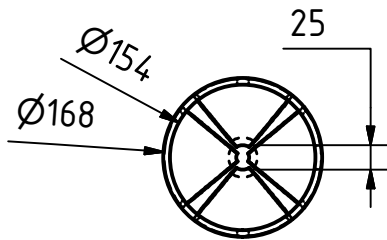
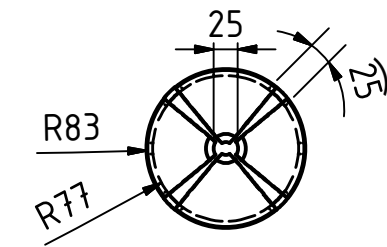
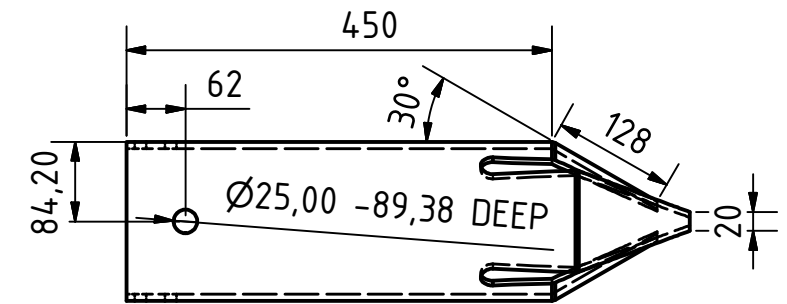
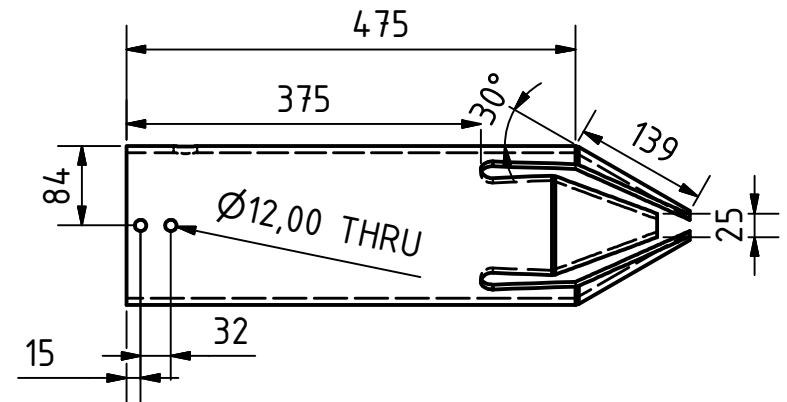


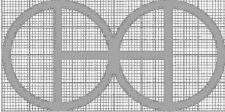
SCALE (1 : 5)



SCALE (1 : 8)



Note: All units in mm. Note: Metal forging process, Review technical notes

PROJECT	CREATED BY	APPROVED BY	DATE	VERSION
vit_wde_well-drilling-equipment	L. Ruda	A. Morillo	22/06/2021	1.0
PART NAME	FILE NAME			POS
Earth auger	ANSI 6 x 0.280 00000001			3.5
DEVELOPED BY	REDESIGNED BY	DOC. TYPE	MATERIAL	QUANTITY
Vita - Volunteers in Technical Assistance, USA	 OHO e.V.	Part	Steel A53	1
		LICENCE	SCALE	SHEET
		CC-BY-SA 4.0	1:8	14 /19