
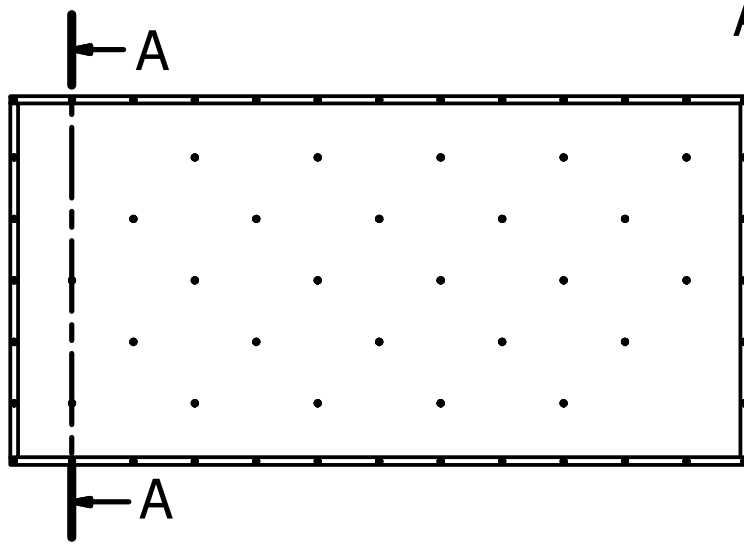


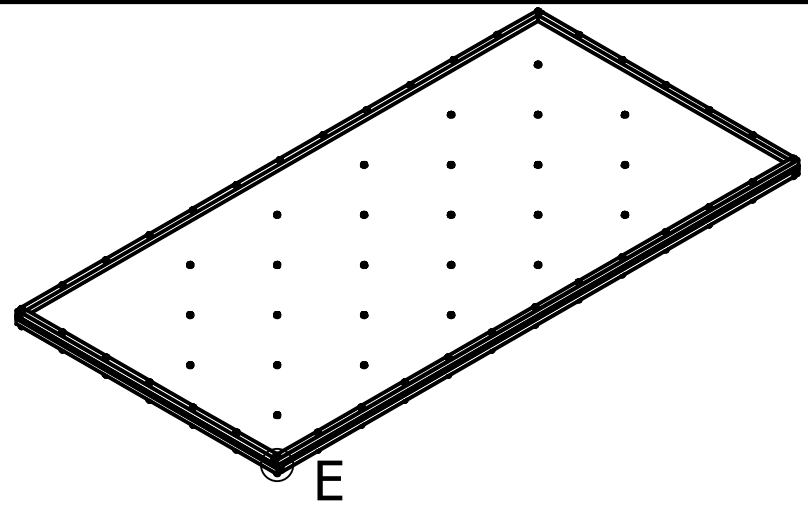
PROJECT		CREATED BY	APROVED BY			
Solar Heater		A. MORILLO	D. JAEGER			
PART NAME		PART CODE	DOCUMENT TYPE	MATERIAL		
panel-assembly5		1.0.0	ASSEMBLY			
DEVELOPED BY	REDESIGNED BY	LICENCE	FILE NAME	VERSION	QUANTITY	
OpenSource LowTech.org	 OPEN SOURCE ECOLOGY GERMANY	CC-BY-SA 4.0	panel-assembly5.iam	1.0	1	
				SCALE	SHEET	DATE
				1:20	4 / 15	8/12/2020



A-A ( 1:25 )

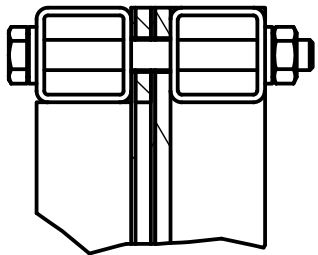


B  
C  
D

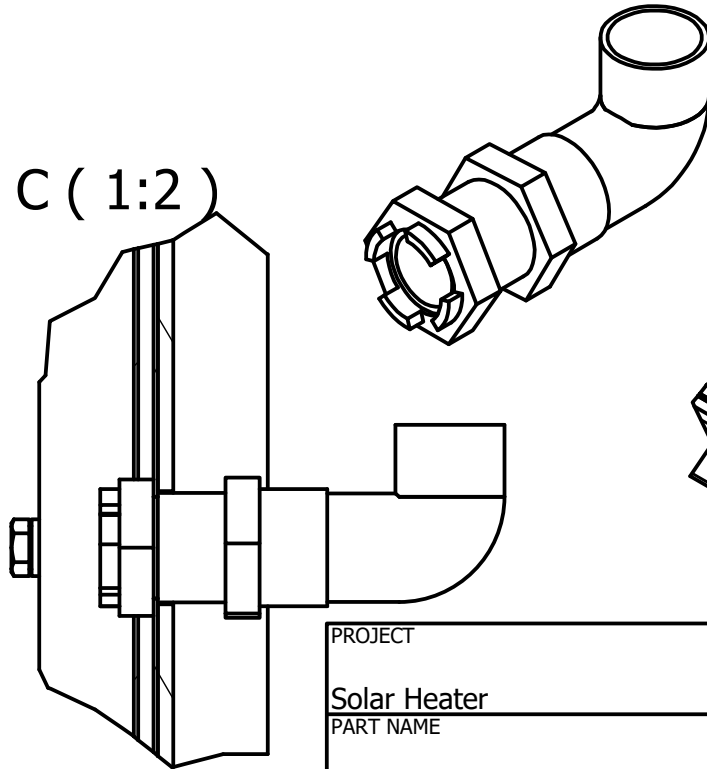


E

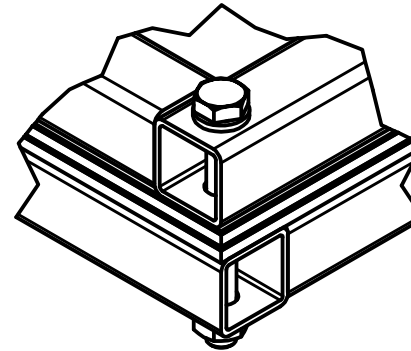
B ( 1:2 )



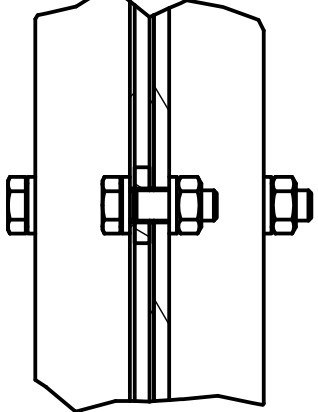
C ( 1:2 )




E ( 1:2 )



D ( 1:2 )



PROJECT		CREATED BY	APPROVED BY	
Solar Heater		A. MORILLO	D. JAEGER	
PART NAME		PART CODE	DOCUMENT TYPE	MATERIAL
panel-assembly5		1.0.0	ASSEMBLY	
DEVELOPED BY	REDESIGNED BY	LICENCE	FILE NAME	VERSION
OpenSource LowTech.org	 OPEN SOURCE ECOLOGY GERMANY	CC-BY-SA 4.0	panel-assembly5.iam	1.0
			SCALE	QUANTITY
			1:25	1
			SHEET	DATE
			5 / 15	8/12/2020