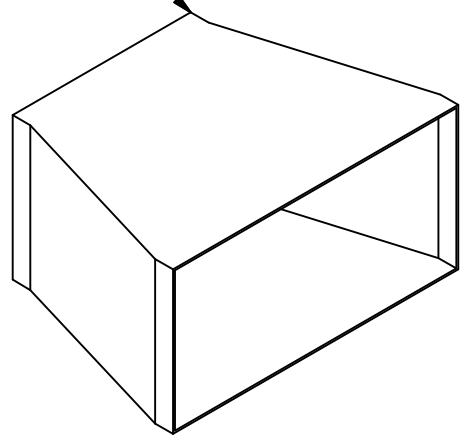


18 gauge
folded sheet.



Note: All units in mm.

PROJECT Sawdust stove made with a 20 L tin can		CREATED BY J. Zeron		APPROVED BY A. Morillo	DATE 23/09/2021	VERSION 1.0
PART NAME Reducer fitting A		FILE NAME Reducer fitting A.ipt				POS 7
DEVELOPED BY Vita		REDESIGNED BY OHO e.V.		DOC. TYPE Part	MATERIAL Galvanized steel	QUANTITY 1
		LICENCE CC-BY-SA 4.0		SCALE 1:3		SHEET 7 /17