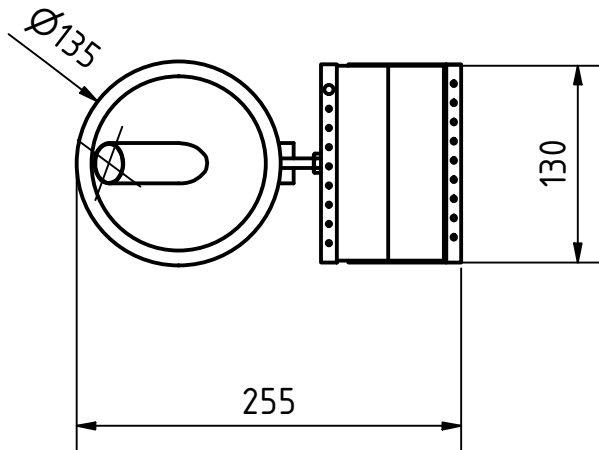
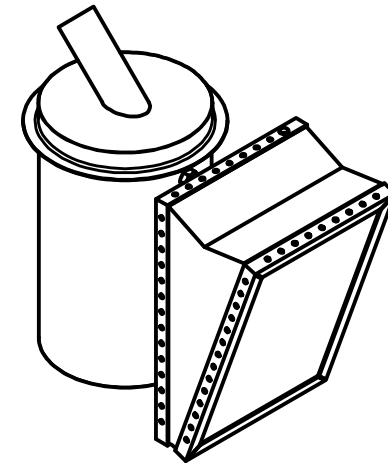
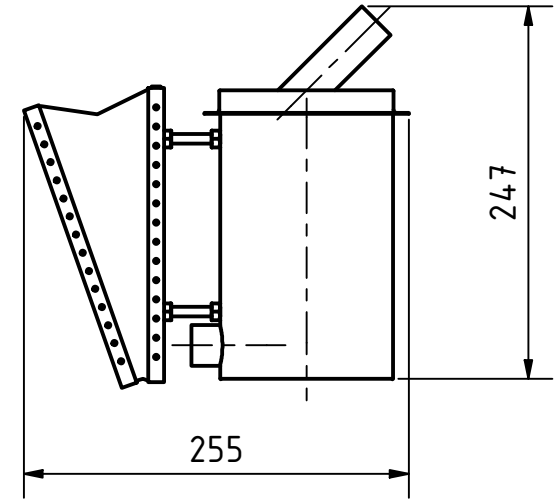
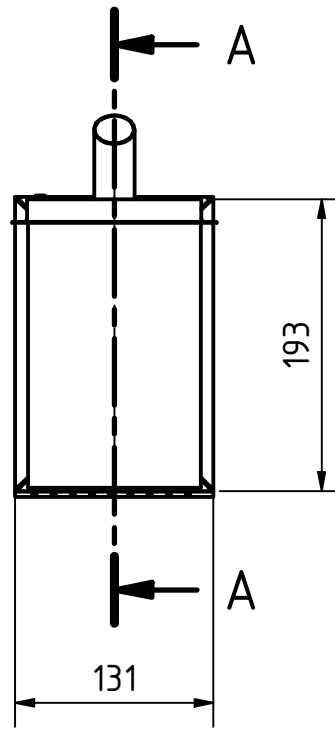
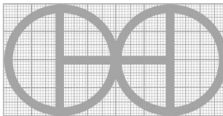
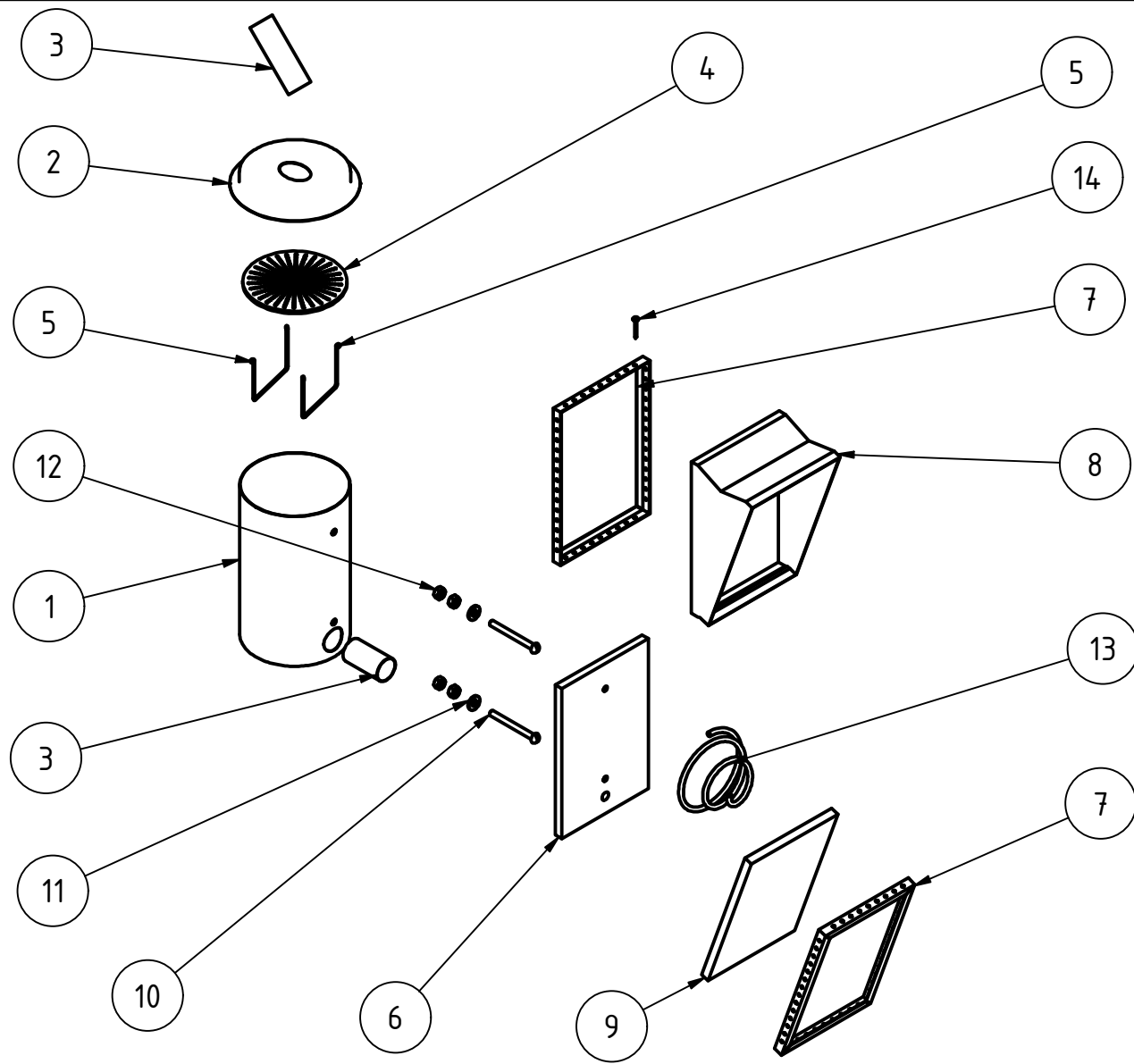
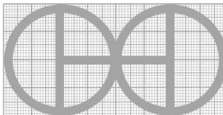


A-A (1 : 5)

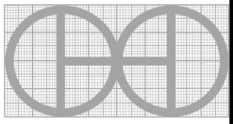


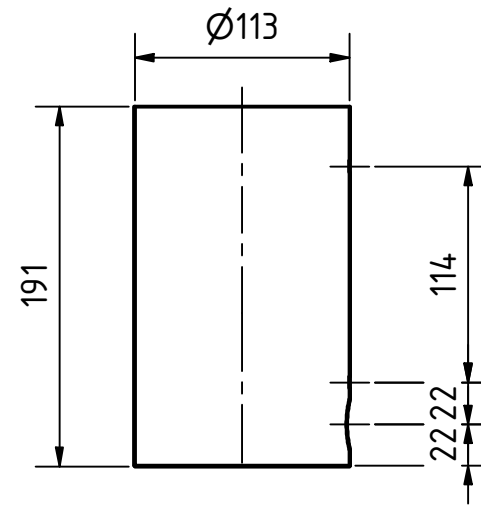
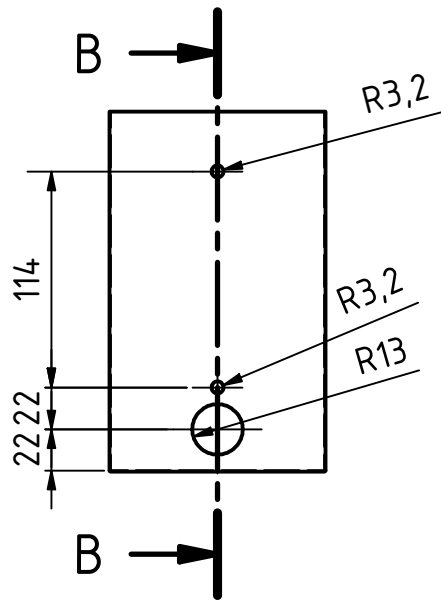
PROJECT		CREATED BY		APPROVED BY		DATE	VERSION	
Bee Smoker		E. CEBALLOS		A. MORILLO		16-05-2021	1.0	
PART NAME		FILE NAME					PART CODE	
Bee Smoker		Proyecto AF-AH_A1_P1 Bee Smoker.iam					A1	
DEVELOPED BY		REDESIGNED BY		SUPPORTED BY		DOC. TYPE	MATERIAL	
						ASSEMBLY		
AMERICAN PEACE CORPS		OHO e.V.				LICENCE	SCALE	
						CC-BY-SA 4.0	1:5	
							QUANTITY	
							1	
							SHEET	
							1 / 12	



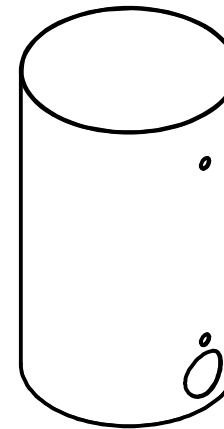
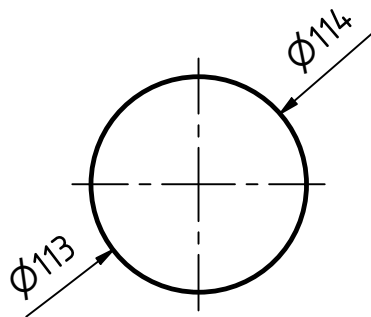
PROJECT		CREATED BY		APPROVED BY		DATE		VERSION	
Bee Smoker		E. CEBALLOS		A. MORILLO		16-05-2021		1.0	
PART NAME				FILE NAME				PART CODE	
Bee Smoker				Proyecto AF-Ah_A1_P1 Bee Smoker.ipn				A2	
DEVELOPED BY		REDESIGNED BY		SUPPORTED BY		DOC. TYPE		MATERIAL	
						ASSEMBLY			
AMERICAN PEACE CORPS		OHO e.V.				LICENCE		SCALE	
						CC-BY-SA 4.0		1:7	
								QUANTITY	
								1	
								SHEET	
								2 / 12	

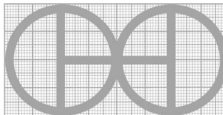
PART LIST							
POS	POS.OLD	QTY	PART NAME	FILE NAME	PART TYPE	SPECIFICATIONS	SHEET
A			Bee Smoker	Proyecto AF-AH_A1_P1 Bee Smoker.iam			1-2
B			Part List				3
1		1	Tank	Tank.ipt	Production	Steel ASTM 1045/DIN C45, caliber 26	4
2		1	Top	Top.ipt	Production	Steel ASTM 1045/DIN C45, caliber 26	5
3		2	Tube 3_4 inch	Tube 3_4 inch.ipt	Production	Steel ASTM 1045/DIN C45, D. 3/4"	6
4		1	Metal tray	metal tray.ipt	Production	Steel ASTM 1045/DIN C45	7
5		2	Wire supports	Wire supports.ipt	Production	Steel ASTM 1045/DIN C45,	8
6		1	Table_1	Table_1.ipt	Production	MDF / plywood, thickness 3/8"	10
7		2	Metal frame	Metal frame.ipt	Production	Steel ASTM 1045/DIN C45,	11
8		1	Vinyl	Vinyl.ipt	Production	Vinyl	12
9		1	Table_2	Table_2.ipt	Production	MDF/ plywood, thickness 3/8"	13
10		2	ANSI B18.6.3 - 1/4-28 UNF - 2,5 SR HMS		Standard	ANSI B18.6.3 - 1/4-28 UNF - 2,5 SR HMS	
11		2	ASTM F436 - 1/4, CW		Standard	ASTM F436 - 1/4, CW	
12		6	AS 2465 - 1/4 UNF		Standard	AS 2465 - 1/4 UNF	
13		1	Spring		Standard	Conical Steel spring D. 9 cm x H. 13cm	
14		20	Nail		Standard	Steel ASTM 1045/ DIN C45 Nail 1"	

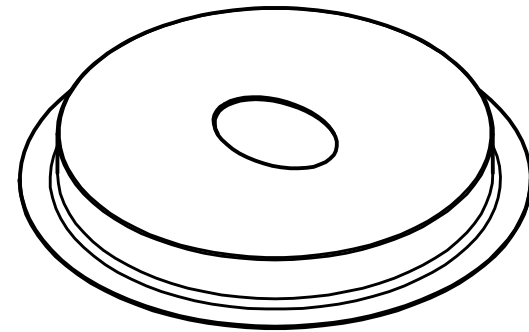
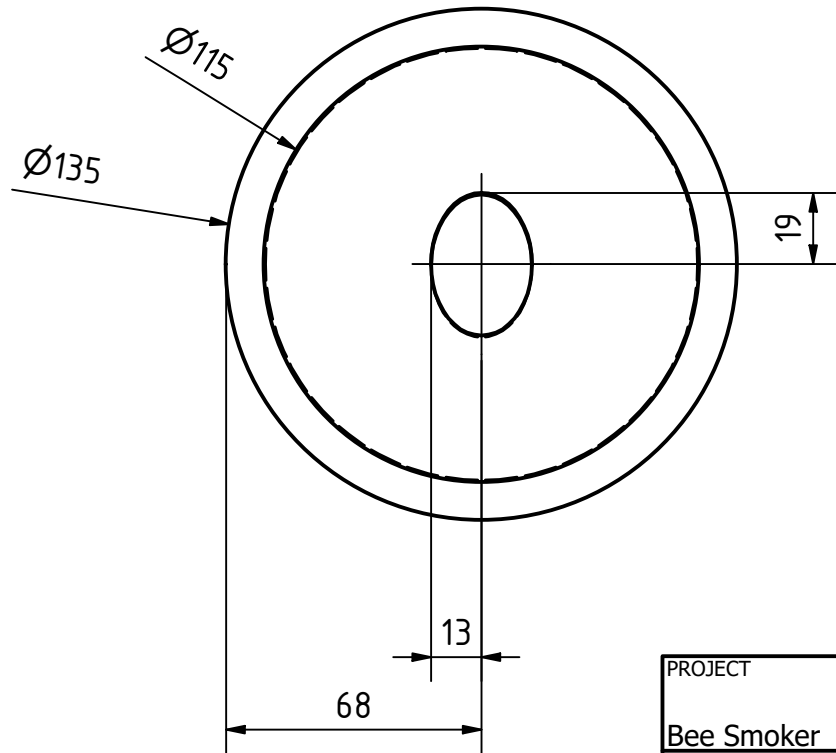
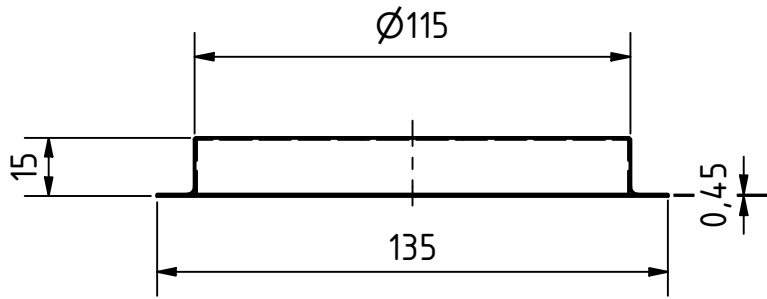
PROJECT		CREATED BY		APPROVED BY		DATE		VERSION	
Bee Smoker		E. CEBALLOS		A. MORILLO		16-05-2021		1.0	
PART NAME				FILE NAME				PART CODE	
PART LIST								B1	
DEVELOPED BY		REDESIGNED BY		SUPPORTED BY		DOC. TYPE		MATERIAL	
						PART LIST			
AMERICAN PEACE CORPS		OHO e.V.				LICENCE		SCALE	
						CC-BY-SA 4.0		SHEET	
								3 /12	

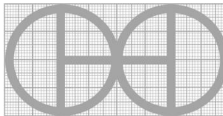


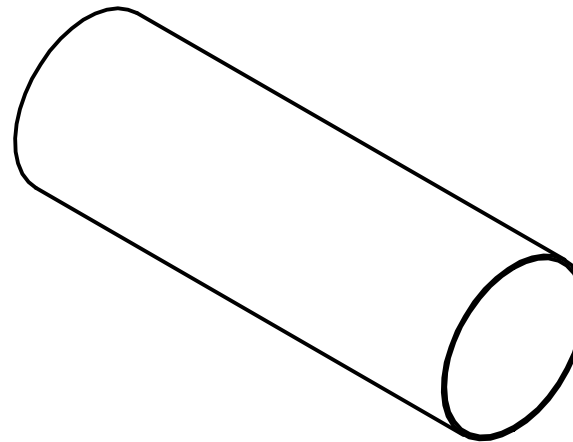
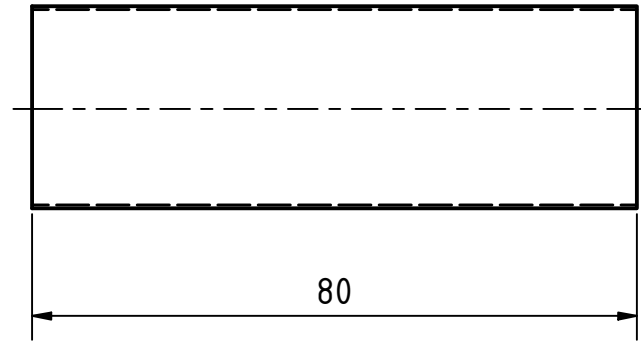
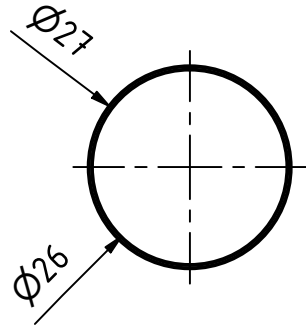
B-B (1 : 4)

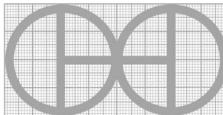


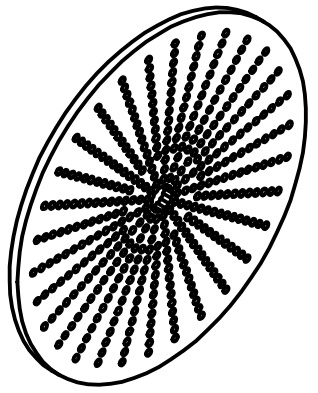
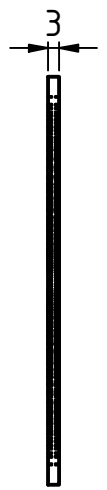
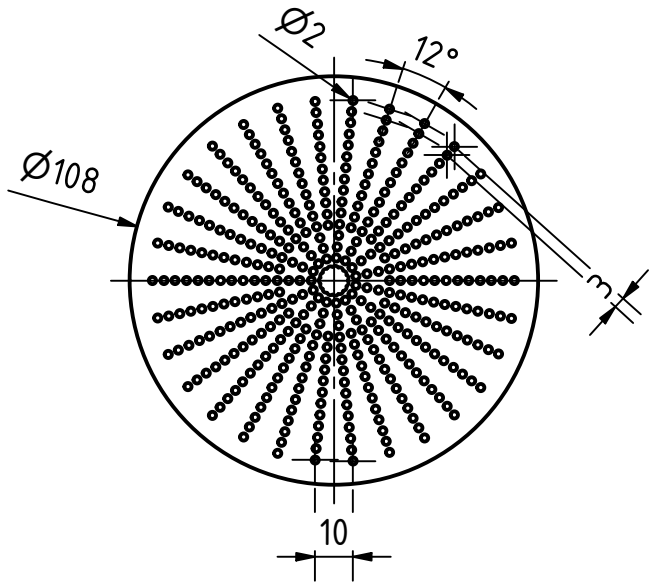
PROJECT		CREATED BY		APPROVED BY		DATE		VERSION	
Bee Smoker		E. CEBALLOS		A. MORILLO		16-05-2021		1.0	
PART NAME				FILE NAME				PART CODE	
Tank				Tank.ipt				1	
DEVELOPED BY		REDESIGNED BY		SUPPORTED BY		DOC. TYPE		MATERIAL	
						PART		Steel ASTM 1045/DIN	
AMERICAN PEACE CORPS		OHO e.V.				LICENCE		C45,	
						CC-BY-SA 4.0		SCALE	
								1:4	
								SHEET	
								4 / 12	

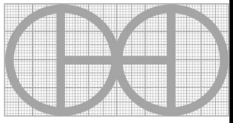


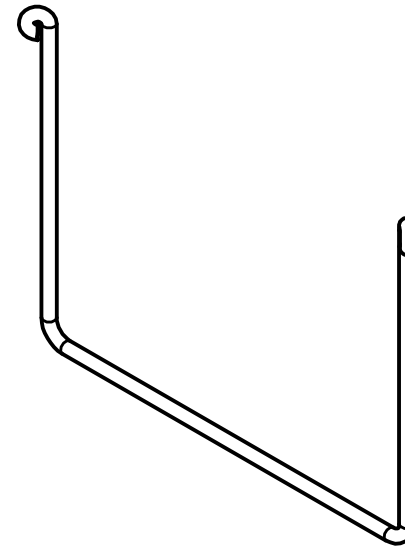
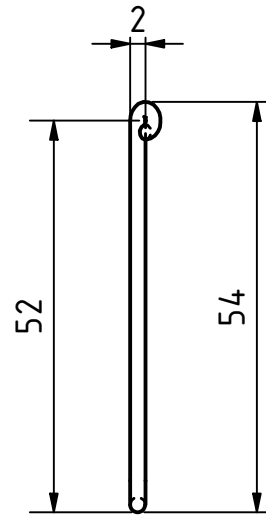
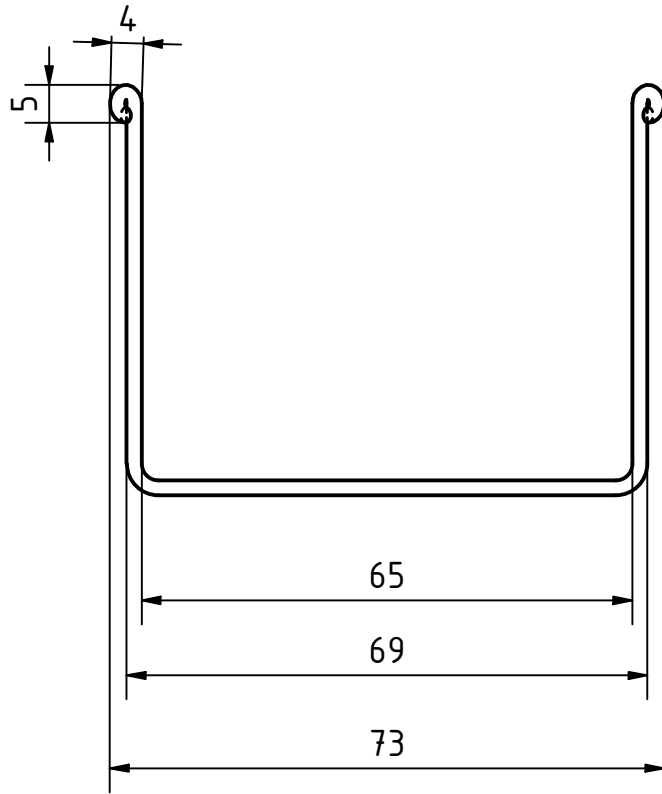
PROJECT		CREATED BY		APPROVED BY		DATE	VERSION	
Bee Smoker		E. CEBALLOS		A. MORILLO		16-05-2021	1.0	
PART NAME		FILE NAME					PART CODE	
Top		Top.ipt					2	
DEVELOPED BY		REDESIGNED BY		SUPPORTED BY		DOC. TYPE	MATERIAL	
						PART	Steel ASTM 1045/DIN	
AMERICAN PEACE CORPS		OHO e.V.				LICENCE	C45,	
						SCALE	QUANTITY	
						1:2	1	
						CC-BY-SA 4.0	SHEET	
						5 / 12	5 / 12	

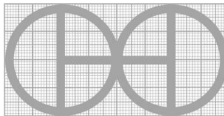


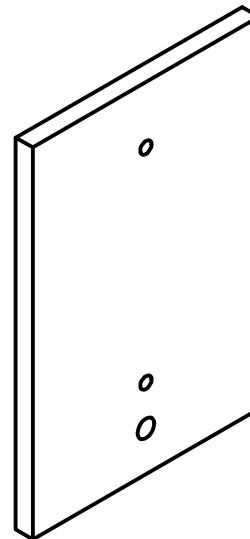
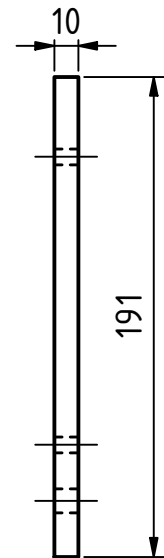
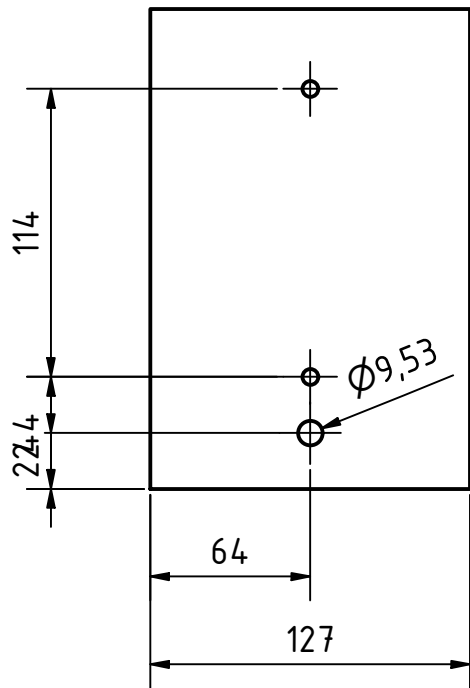
PROJECT		CREATED BY	APPROVED BY	DATE	VERSION
Bee Smoker		E. CEBALLOS	A. MORILLO	16-05-2021	1.0
PART NAME		FILE NAME			PART CODE
Tube 3_4 inch		Tube 3_4 inch.ipt			3
DEVELOPED BY	REDESIGNED BY	SUPPORTED BY	DOC. TYPE	MATERIAL	QUANTITY
			PART	Steel ASTM 1045/DIN	2
AMERICAN PEACE CORPS		OHO e.V.	LICENCE	SCALE	SHEET
			CC-BY-SA 4.0	1:1	6 /12

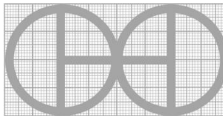


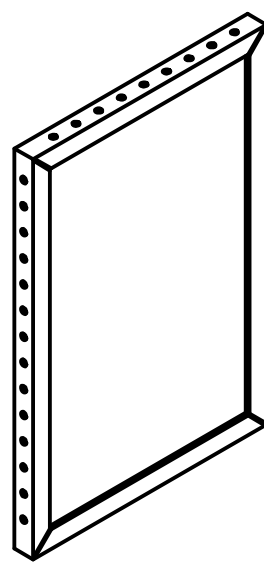
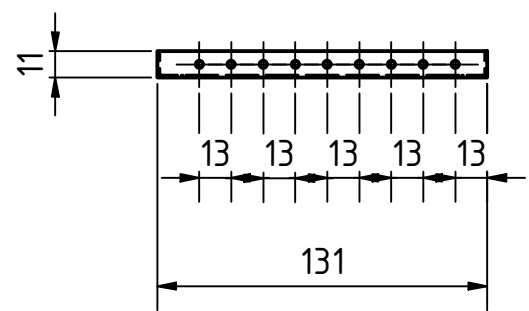
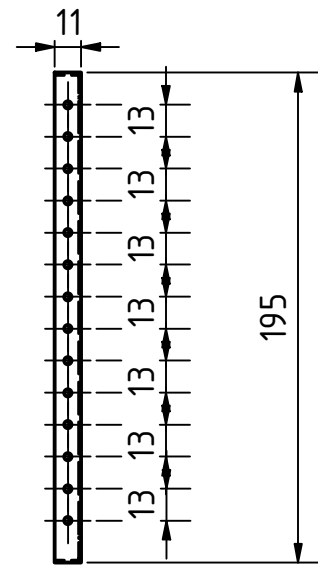
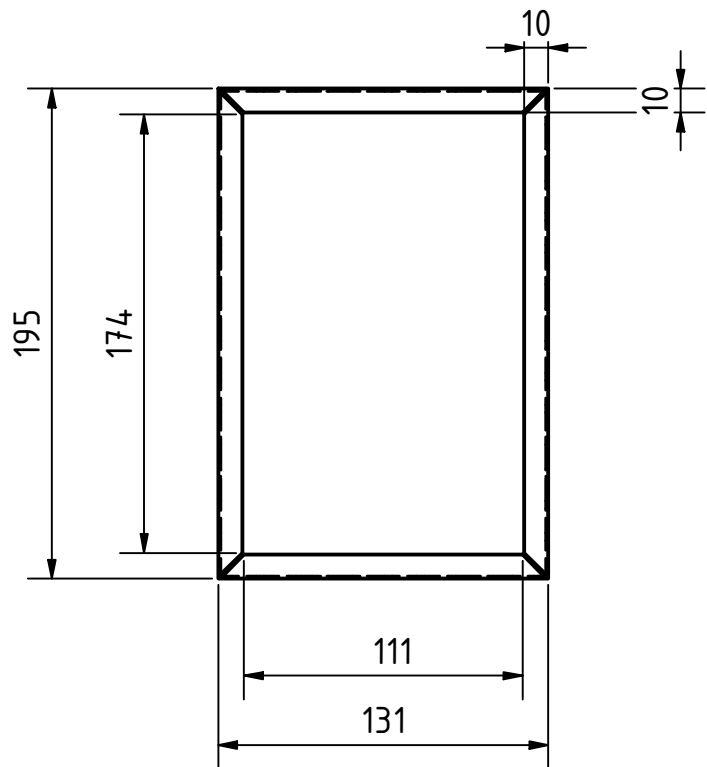
PROJECT		CREATED BY		APPROVED BY		DATE		VERSION	
Bee Smoker		E. CEBALLOS		A. MORILLO		16-05-2021		1.0	
PART NAME				FILE NAME				PART CODE	
metal tray				metal tray.ipt				4	
DEVELOPED BY		REDESIGNED BY		SUPPORTED BY		DOC. TYPE		MATERIAL	
						PART		Steel ASTM 1045/DIN	
AMERICAN PEACE CORPS		OHO e.V.				LICENCE		C45,	
						CC-BY-SA 4.0		SCALE	
								1:2	
								SHEET	
								7 /12	

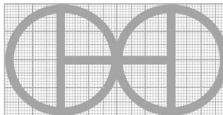


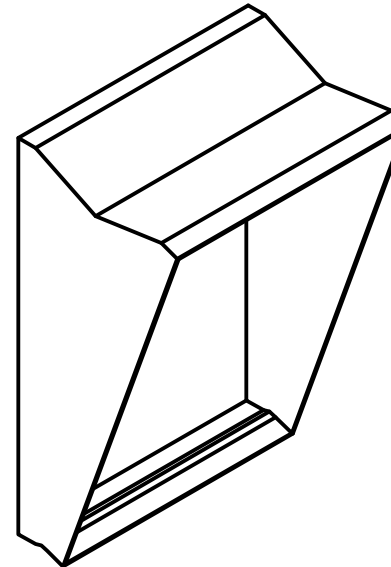
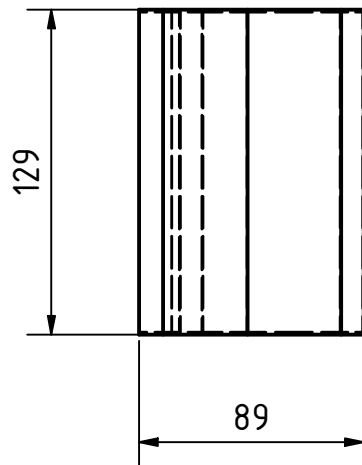
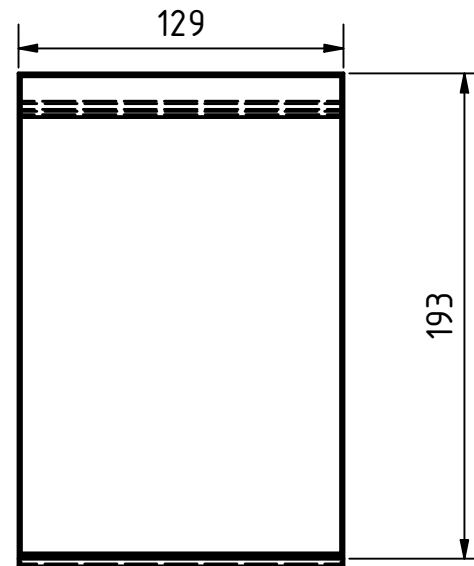
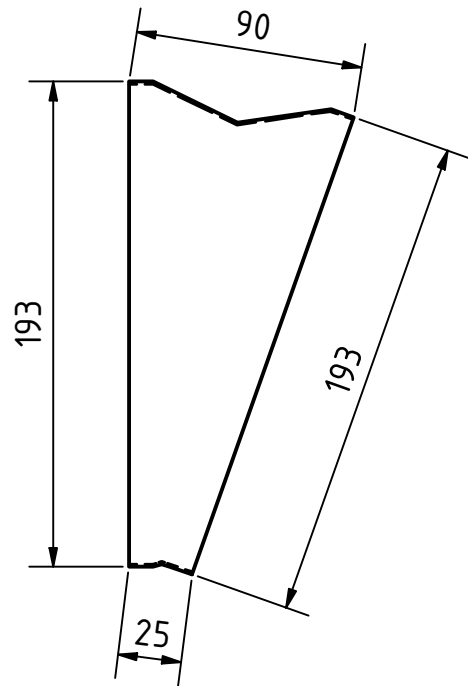
PROJECT		CREATED BY		APPROVED BY		DATE	VERSION	
Bee Smoker		E. CEBALLOS		A. MORILLO		16-05-2021	1.0	
PART NAME		FILE NAME					PART CODE	
Wire supports		Wire supports.ipt					5	
DEVELOPED BY		REDESIGNED BY		SUPPORTED BY		DOC. TYPE	MATERIAL	
						PART	Steel ASTM 1045/DIN	
AMERICAN PEACE CORPS		OHO e.V.				LICENCE	C45,	
						SCALE	QUANTITY	
						1:1	2	
						8 /12	SHEET	
						CC-BY-SA 4.0	8 /12	



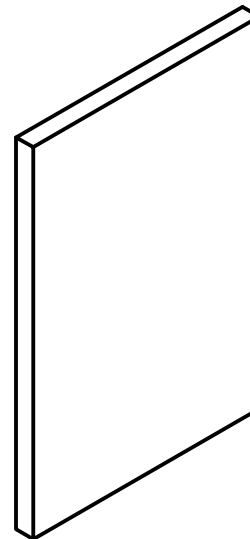
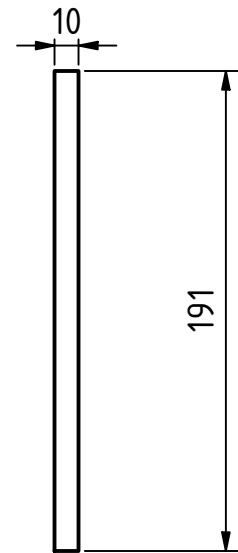
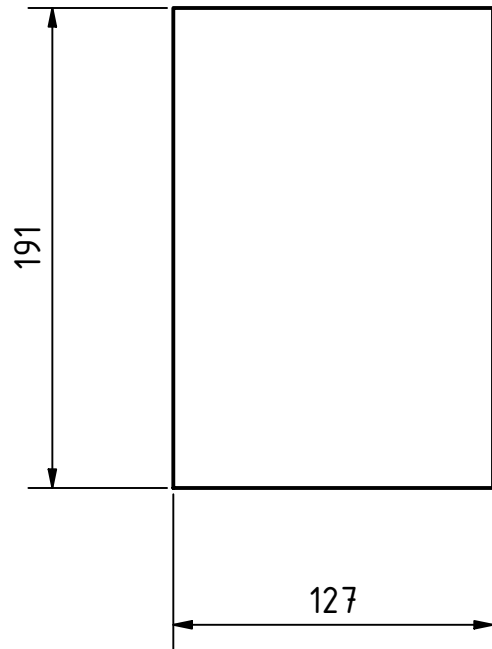
PROJECT		CREATED BY		APPROVED BY		DATE	VERSION	
Bee Smoker		E. CEBALLOS		A. MORILLO		16-05-2021	1.0	
PART NAME		FILE NAME					PART CODE	
Table_1		Table_1.ipt					6	
DEVELOPED BY		REDESIGNED BY		SUPPORTED BY		DOC. TYPE	MATERIAL	QUANTITY
						PART	MDF / plywood	1
AMERICAN PEACE CORPS		OHO e.V.				LICENCE	SCALE	SHEET
						CC-BY-SA 4.0	1:3	9 /12

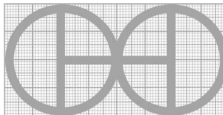


PROJECT		CREATED BY		APPROVED BY		DATE		VERSION	
Bee Smoker		E. CEBALLOS		A. MORILLO		16-05-2021		1.0	
PART NAME				FILE NAME				PART CODE	
Metal frame				Metal frame.ipt				7	
DEVELOPED BY		REDESIGNED BY		SUPPORTED BY		DOC. TYPE		MATERIAL	
						PART		Steel ASTM 1045/DIN C45,	
AMERICAN PEACE CORPS		OHO e.V.				LICENCE		SCALE	
						CC-BY-SA 4.0		1:3	
								QUANTITY	
								2	
								SHEET	
								10 /12	



PROJECT		CREATED BY		APPROVED BY		DATE		VERSION	
Bee Smoker		E. CEBALLOS		A. MORILLO		16-05-2021		1.0	
PART NAME				FILE NAME				PART CODE	
Vinyl				Vinyl.ipt				8	
DEVELOPED BY		REDESIGNED BY		SUPPORTED BY		DOC. TYPE	MATERIAL		QUANTITY
						PART	Vinyl		1
AMERICAN PEACE CORPS		OHO e.V.				LICENCE		SCALE	SHEET
						CC-BY-SA 4.0		1:3	11 /12



PROJECT		CREATED BY		APPROVED BY		DATE	VERSION	
Bee Smoker		E. CEBALLOS		A. MORILLO		16-05-2021	1.0	
PART NAME		FILE NAME					PART CODE	
Table_2		Table_2.ipt					9	
DEVELOPED BY		REDESIGNED BY		SUPPORTED BY		DOC. TYPE	MATERIAL	QUANTITY
						PART	MDF / plywood	1
AMERICAN PEACE CORPS		OHO e.V.				LICENCE	SCALE	SHEET
						CC-BY-SA 4.0	1:2	12 /12