
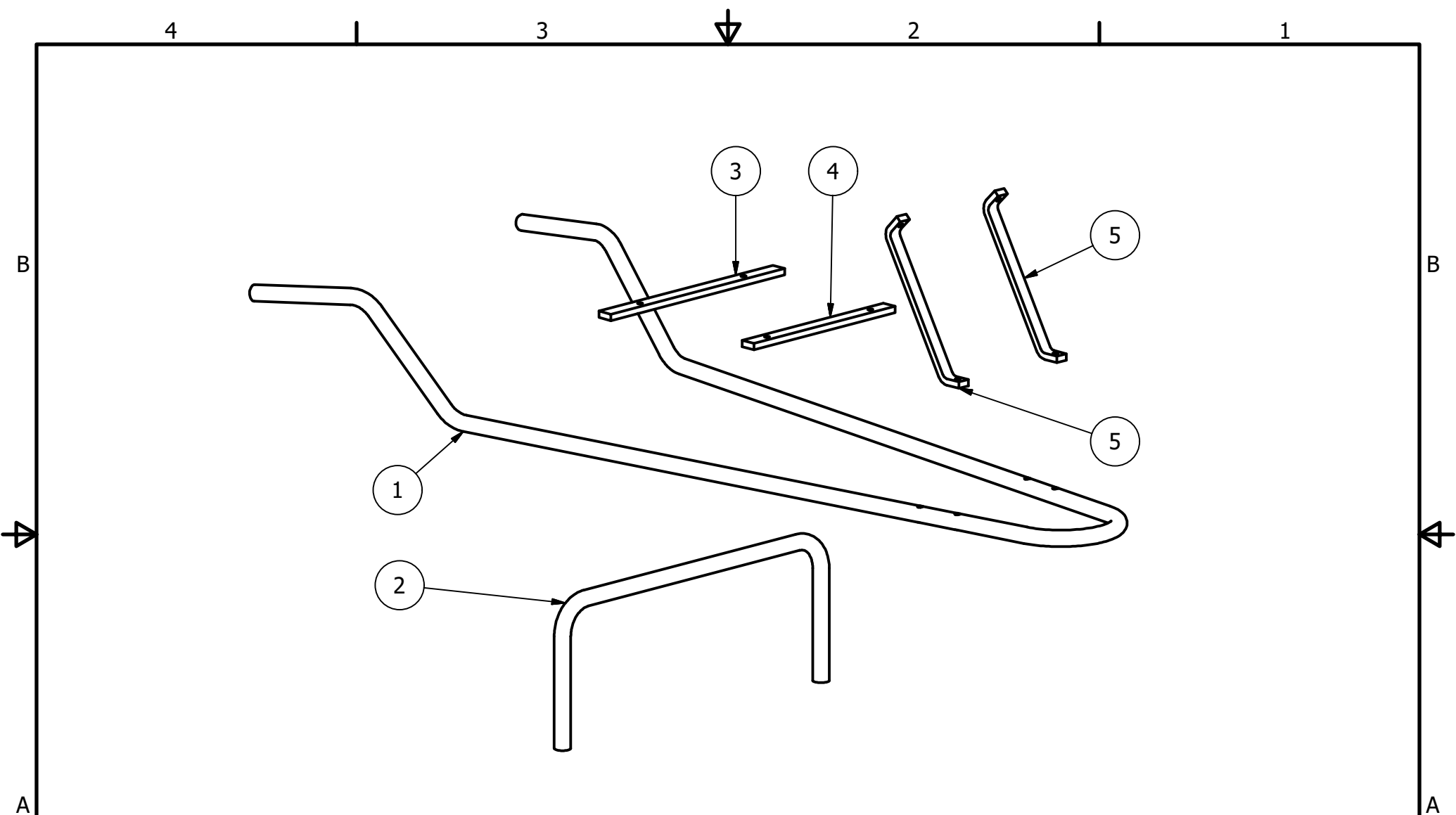



<b>Project</b> Wheel Barrow		Created by D. Mosquera	Approved by D. Jeager		
<b>Part Name</b> Shassis		Part Code 1	Document Type ASSEMBLY	Material	
Redesigned by  Open Source Ecology e.V. Knobelsdorffstr. 22 14059 Berlin www.ose-germany.de +49 (0) 30 / 92282426	Original drawing from <b>Practical ACTION</b>	License CERN-OHL	File Name oseg_wb_1_chassis.iam	Version 1.0	Quantity
			Scale 1:12	Sheet 5	Date 11.11.20



<b>Project</b> Wheel Barrow		Created by <b>D. Mosquera</b>		Approved by <b>D. Jeager</b>	
<b>Part Name</b> Shassis		Part Code 1		Document Type <b>ASSEMBLY</b>	
Redesigned by  Open Source Ecology e.V. Knobelsdorffstr. 22 14059 Berlin www.ose-germany.de +49 (0) 30 / 92282426		Original drawing from <b>Practical ACTION</b>		License CERN-OHL	
		File Name oseg_wb_1_chassis.ipn		Version 1.0	
		Scale 1:12		Quantity	
				Sheet 6	
				Date 11.11.20	