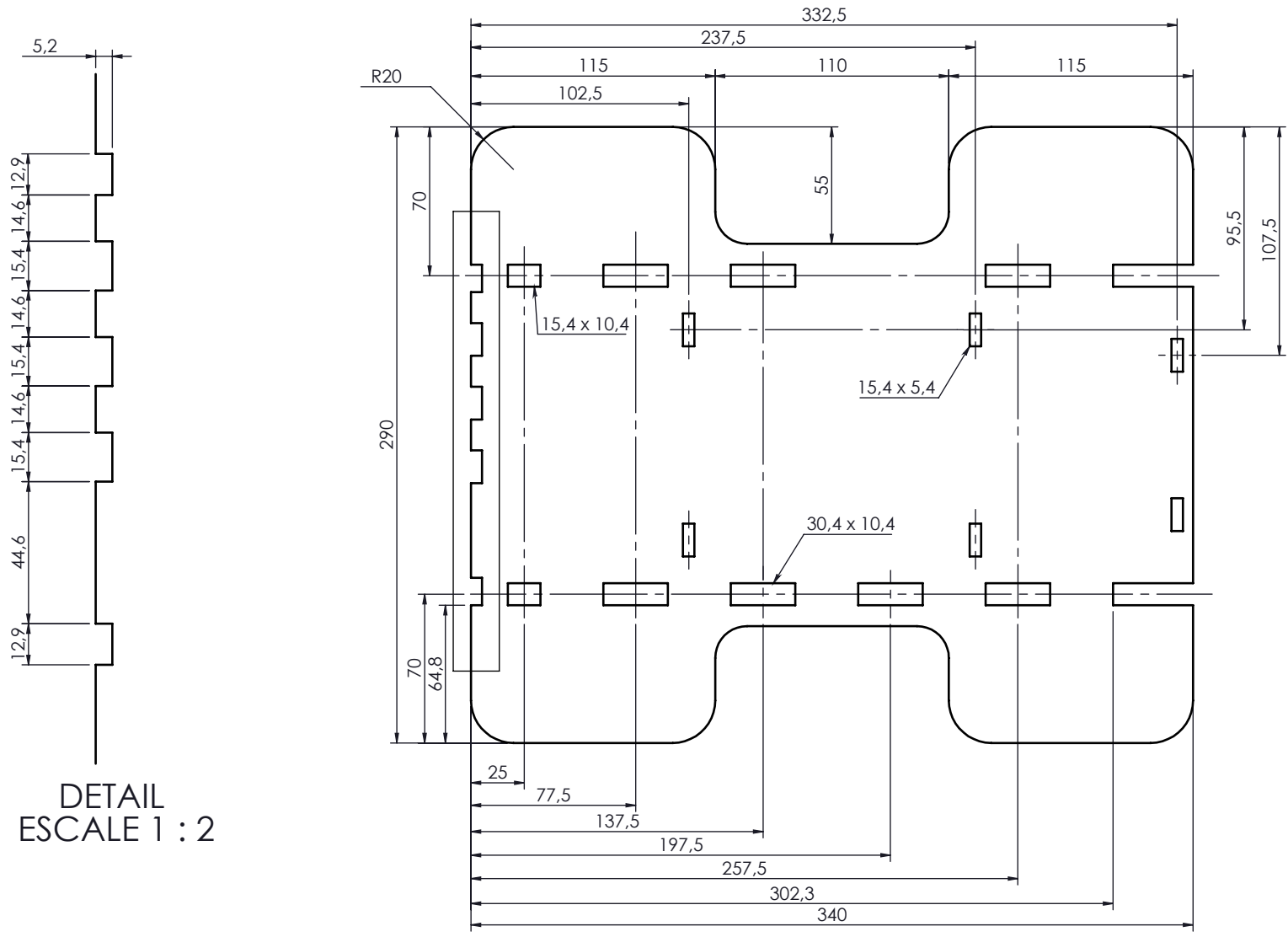


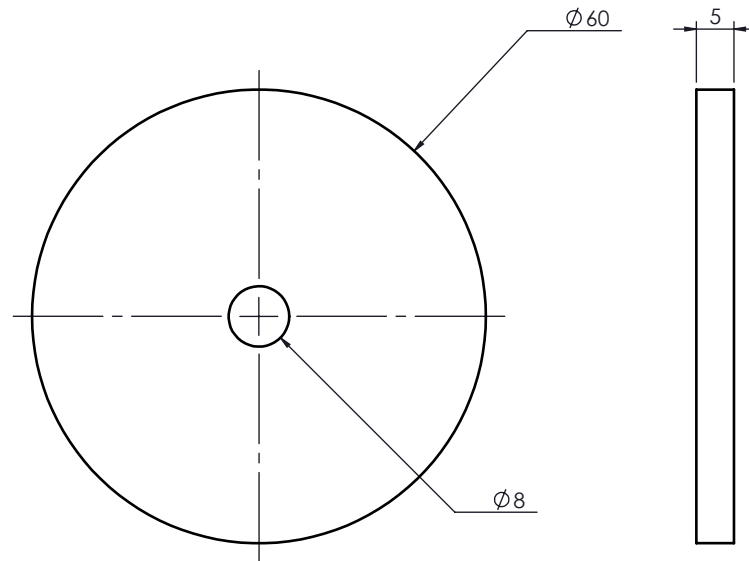
IND	MODIFICATIONS	DATE	VISA	VERIF	IND	MODIFICATIONS	DATE	VISA	VERIF
A	ISSUED FOR MANUFACTURE	25/03/2020	NG						



DETAIL
ESCALE 1 : 2

THICKNESS :	5 mm	ENSEMBLE :	BASE	ECH	1:3	OXYGEN	IND A
MATERIAL:	-	PIECE :	OXIGEN V5				
QUANTITY:	1						

IND	MODIFICATIONS	DATE	VISA	VERIF	IND	MODIFICATIONS	DATE	VISA	VERIF
A	ISSUED FOR MANUFACTURE	25/03/2020	NG						



THICKNESS : 5 mm

MATERIAL: -

QUANTITY: 6

ENSEMBLE : CONTRAPESO

PIECE : OXIGEN V5

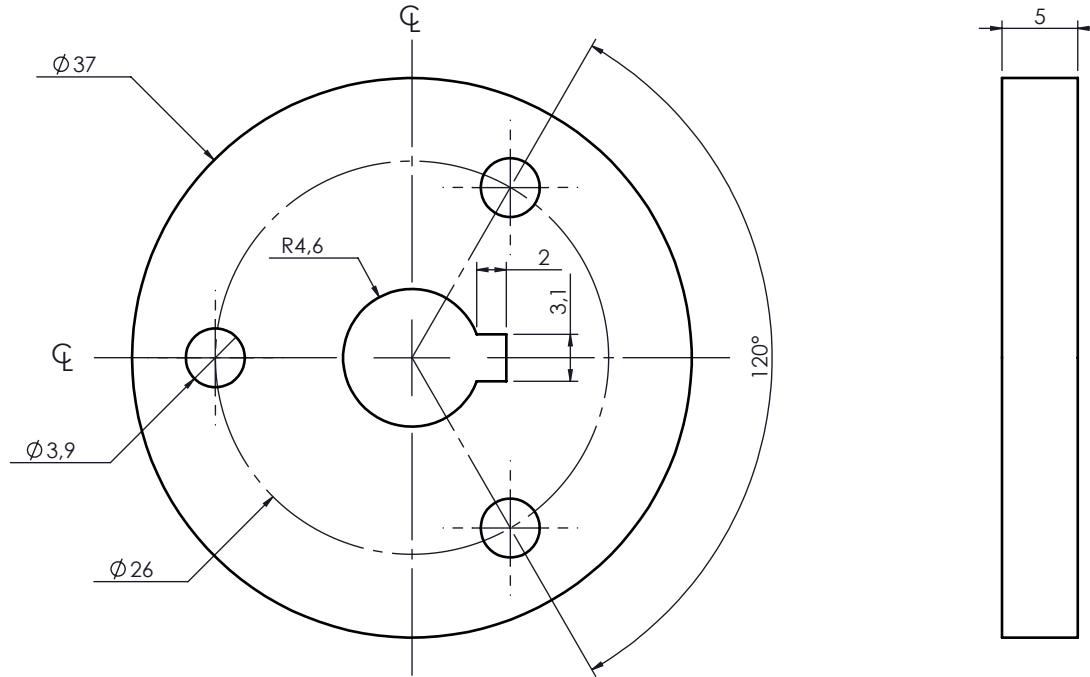
ECH

1:1

OXYGEN

IND
A

IND	MODIFICATIONS	DATE	VISA	VERIF	IND	MODIFICATIONS	DATE	VISA	VERIF
A	ISSUED FOR MANUFACTURE	25/03/2020	NG						



THICKNESS : 5 mm

MATERIAL: -

QUANTITY: 3

ENSEMBLE : COUPLING

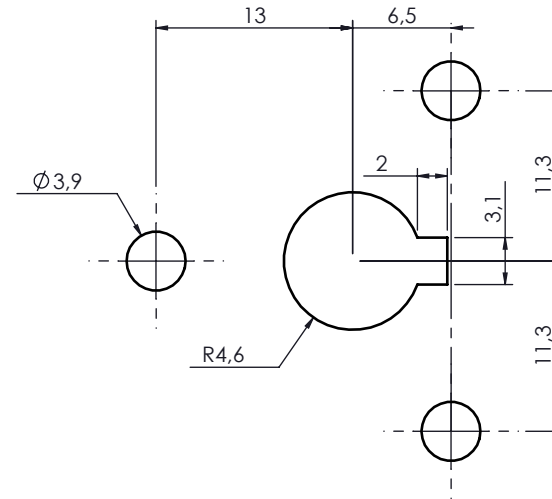
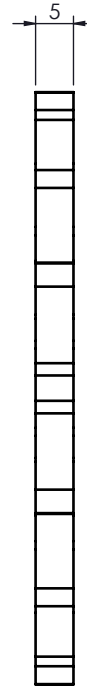
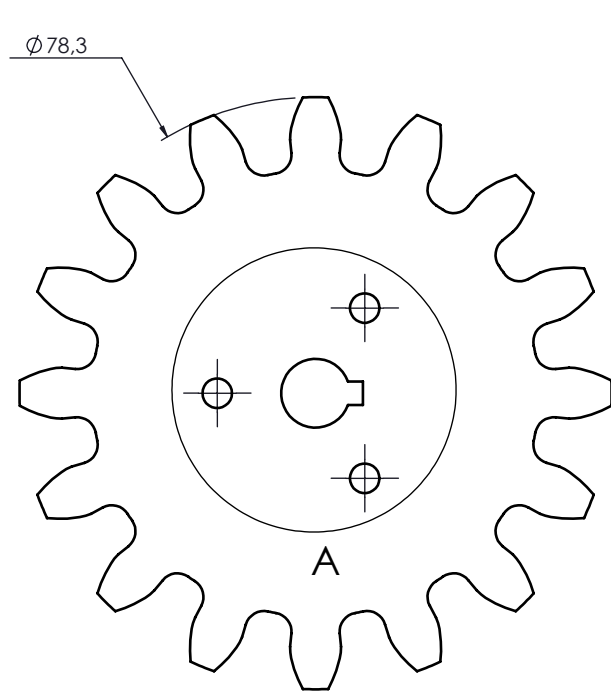
PIECE : OXIGEN V5

ECH
2:1

OXYGEN

IND
A

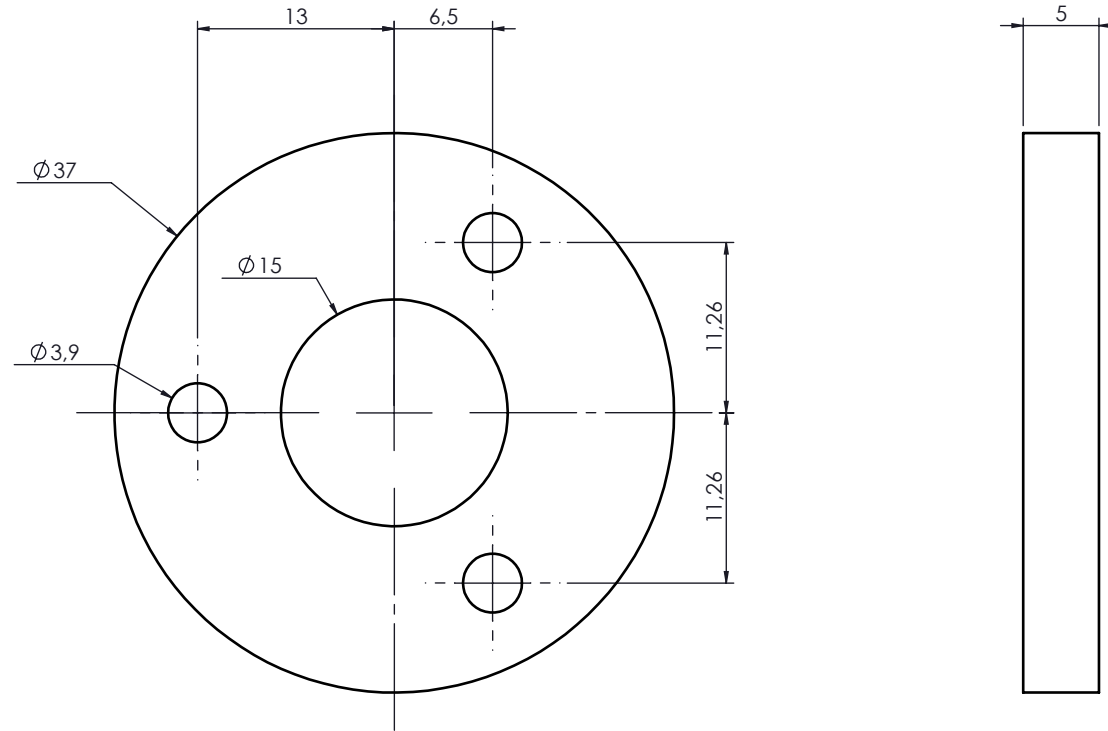
IND	MODIFICATIONS	DATE	VISA	VERIF	IND	MODIFICATIONS	DATE	VISA	VERIF
A	ISSUED FOR MANUFACTURE	25/03/2020	NG						



DETAIL A
SCALE 2:1

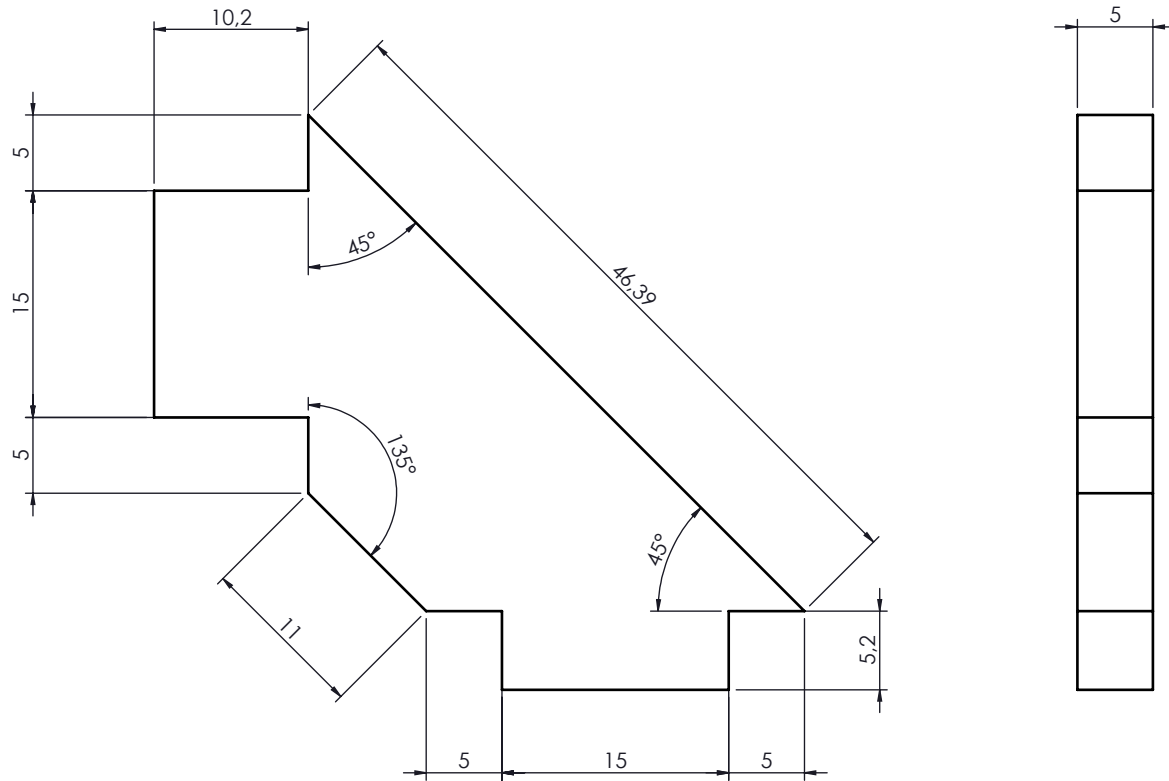
THICKNESS :	5 mm	ENSEMBLE : COUPLING DENTADO	ECH 1:1	OXYGEN	IND A
MATERIAL:	-				
QUANTITY:	5	PIECE : OXIGEN V5			

IND	MODIFICATIONS	DATE	VISA	VERIF	IND	MODIFICATIONS	DATE	VISA	VERIF
A	ISSUED FOR MANUFACTURE	25/03/2020	NG						



THICKNESS :	5 mm			ECH		IND
MATERIAL:	-	ENSEMBLE :	COUPLING INFERIOR	2:1		A
QUANTITY:	1	PIECE :	OXIGEN V5		1/1	

IND	MODIFICATIONS	DATE	VISA	VERIF	IND	MODIFICATIONS	DATE	VISA	VERIF
A	ISSUED FOR MANUFACTURE	25/03/2020	NG						

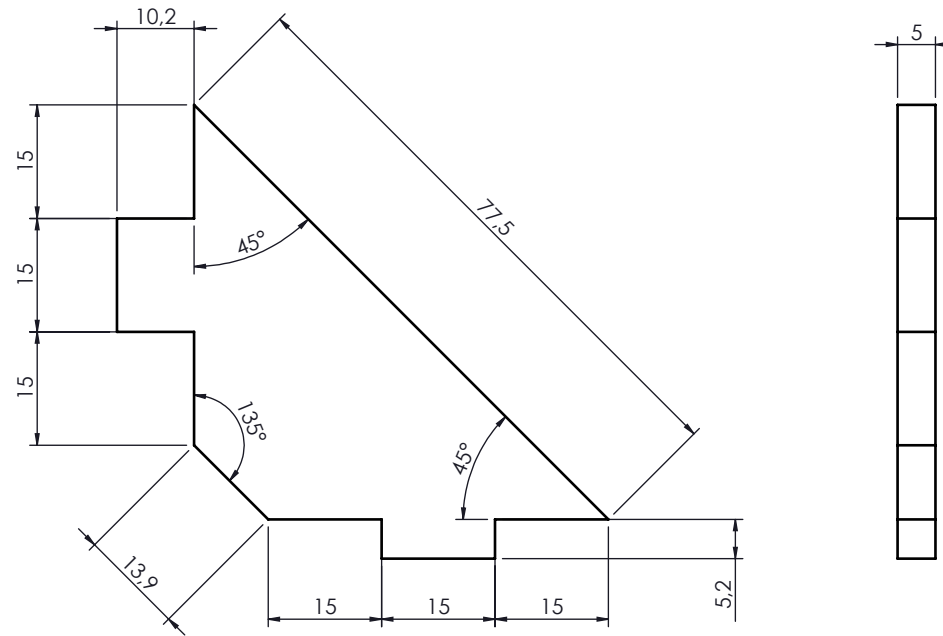


THICKNESS :	5 mm
MATERIAL:	-
QUANTITY:	4

ENSEMBLE :	ESCUADRA BASE
PIECE :	OXIGEN V5

ECH	2:1	OXYGEN	IND A

IND	MODIFICATIONS	DATE	VISA	VERIF	IND	MODIFICATIONS	DATE	VISA	VERIF
A	ISSUED FOR MANUFACTURE	25/03/2020	NG						



THICKNESS : 5 mm

MATERIAL: -

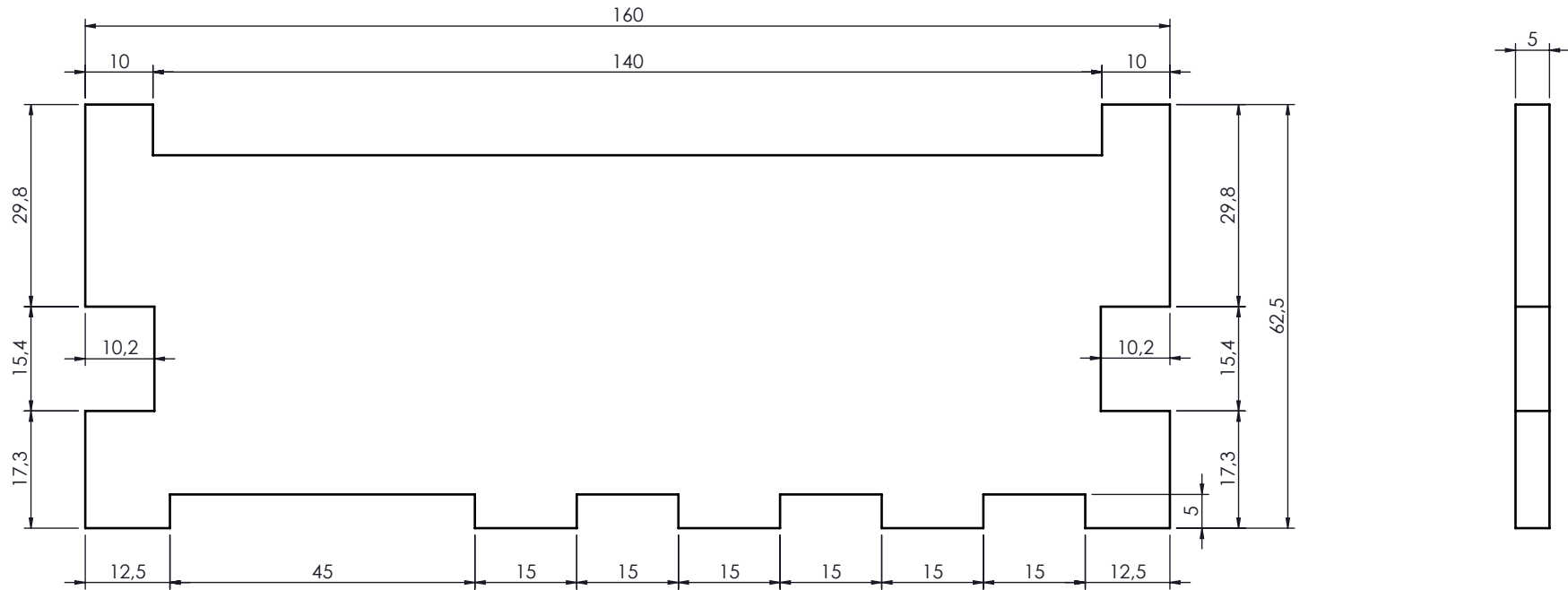
QUANTITY: 2

ENSEMBLE : ESCUADRA FRONTAL

PIECE : OXIGEN V5

ECH	OXYGEN	IND A
1:1		

IND	MODIFICATIONS	DATE	VISA	VERIF	IND	MODIFICATIONS	DATE	VISA	VERIF
A	ISSUED FOR MANUFACTURE	25/03/2020	NG						



THICKNESS : 5 mm

MATERIAL: -

QUANTITY: 1

ENSEMBLE : FRONTAL INFERIOR EXTERIOR

PIECE : OXIGEN V5

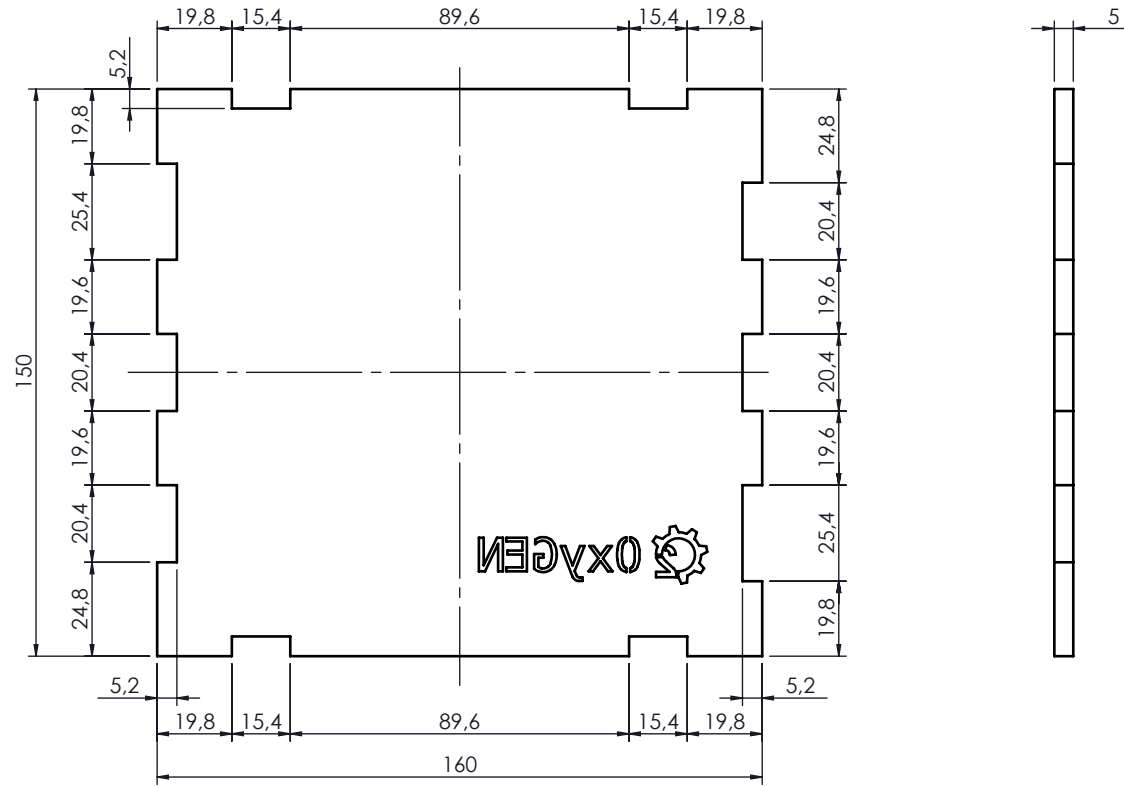
ECH

1:1

OXYGEN

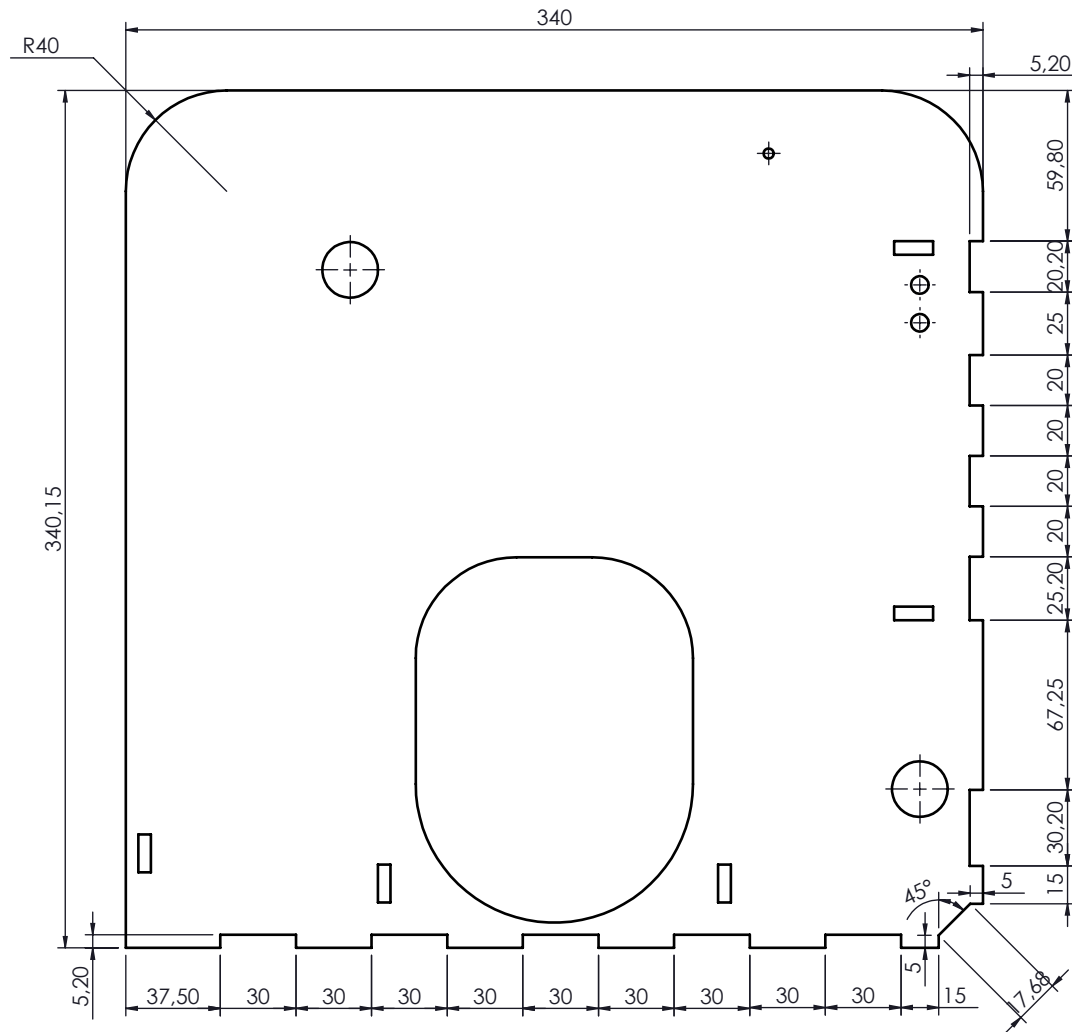
IND
A

IND	MODIFICATIONS	DATE	VISA	VERIF	IND	MODIFICATIONS	DATE	VISA	VERIF
A	ISSUED FOR MANUFACTURE	25/03/2020	NG						



THICKNESS :	5 mm	ENSEMBLE : FRONTAL SUPERIOR	ECH 1:2	OXYGEN	IND A
MATERIAL:	-				
QUANTITY:	1	PIECE : OXIGEN V5			

IND	MODIFICATIONS	DATE	VISA	VERIF	IND	MODIFICATIONS	DATE	VISA	VERIF
A	ISSUED FOR MANUFACTURE	25/03/2020	NG						



THICKNESS : 5 mm

MATERIAL: -

QUANTITY: 1

ENSEMBLE : LATERAL DERECHO EXTERIOR

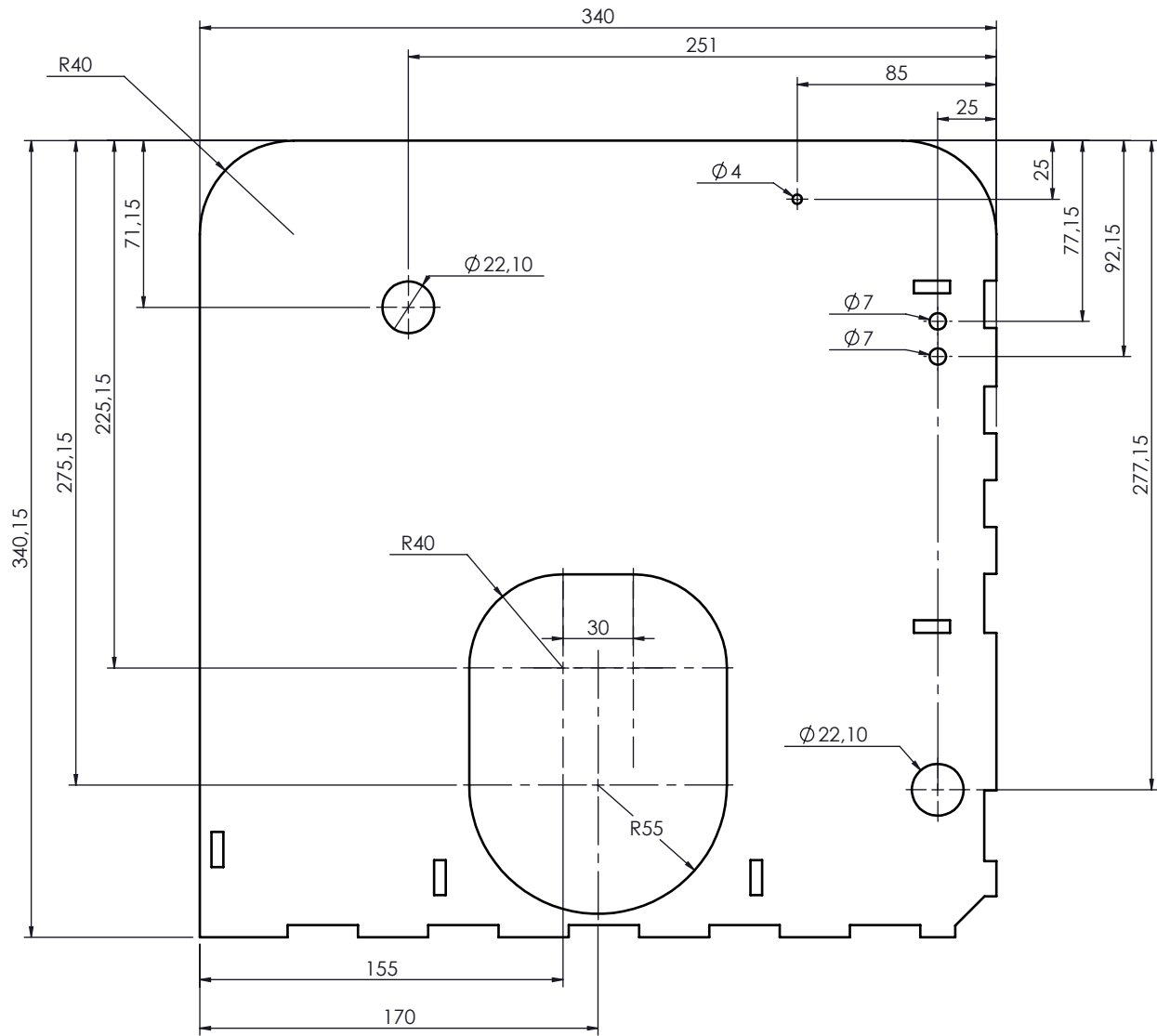
PIECE : OXIGEN V5

ECH
1:3

OXYGEN

IND
A

IND	MODIFICATIONS	DATE	VISA	VERIF	IND	MODIFICATIONS	DATE	VISA	VERIF
A	ISSUED FOR MANUFACTURE	25/03/2020	NG						



THICKNESS : 5 mm

MATERIAL: -

QUANTITY: 1

ENSEMBLE : LATERAL DERECHO EXTERIOR TALADROS

PIECE : OXIGEN V5

ECH

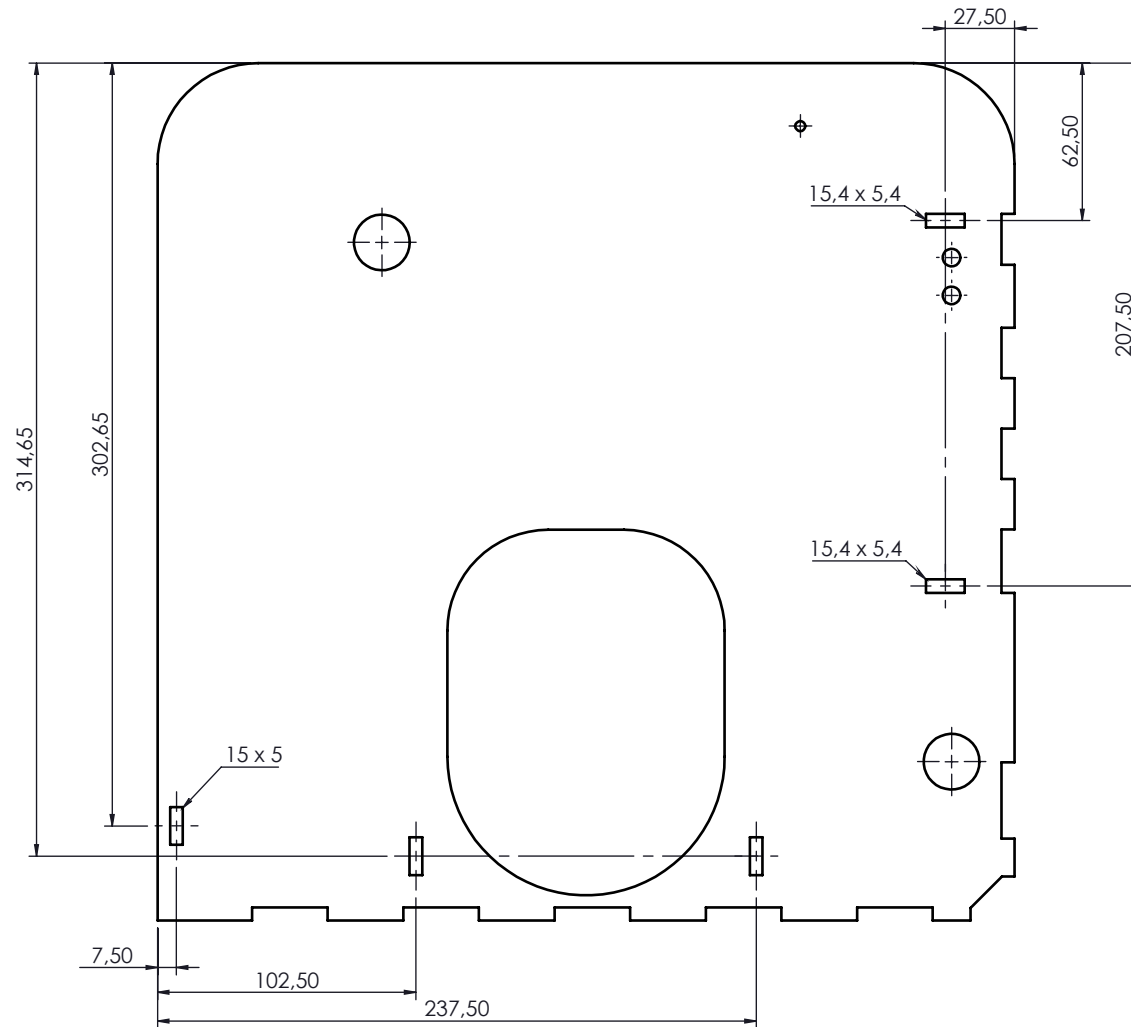
1:3

OXYGEN

IND

A

IND	MODIFICATIONS	DATE	VISA	VERIF	IND	MODIFICATIONS	DATE	VISA	VERIF
A	ISSUED FOR MANUFACTURE	25/03/2020	NG						



THICKNESS : 5 mm

MATERIAL: -

QUANTITY: 1

ENSEMBLE : LATERAL DERECHO EXTERIOR APERTURAS PESTAÑAS

PIECE : OXIGEN V5

ECH

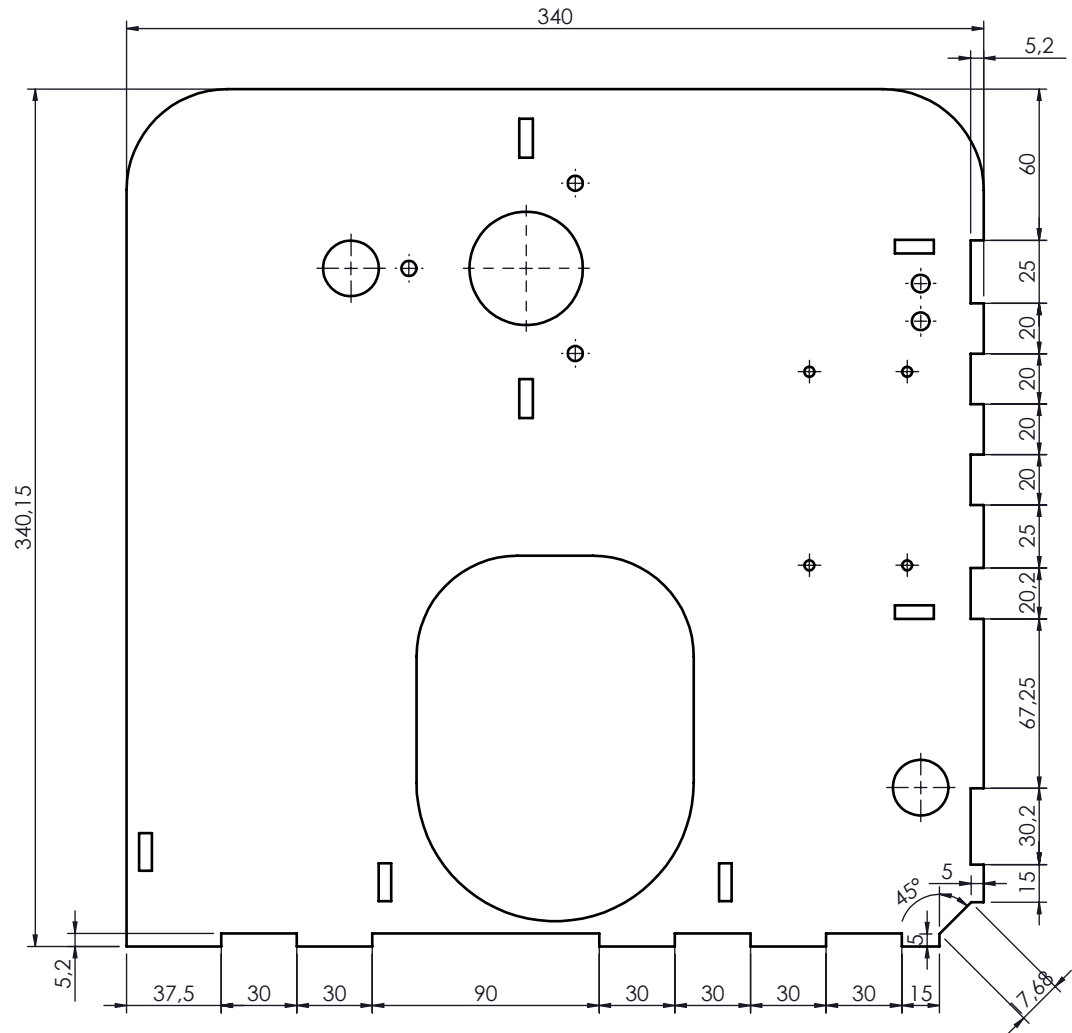
1:3

OXYGEN

IND

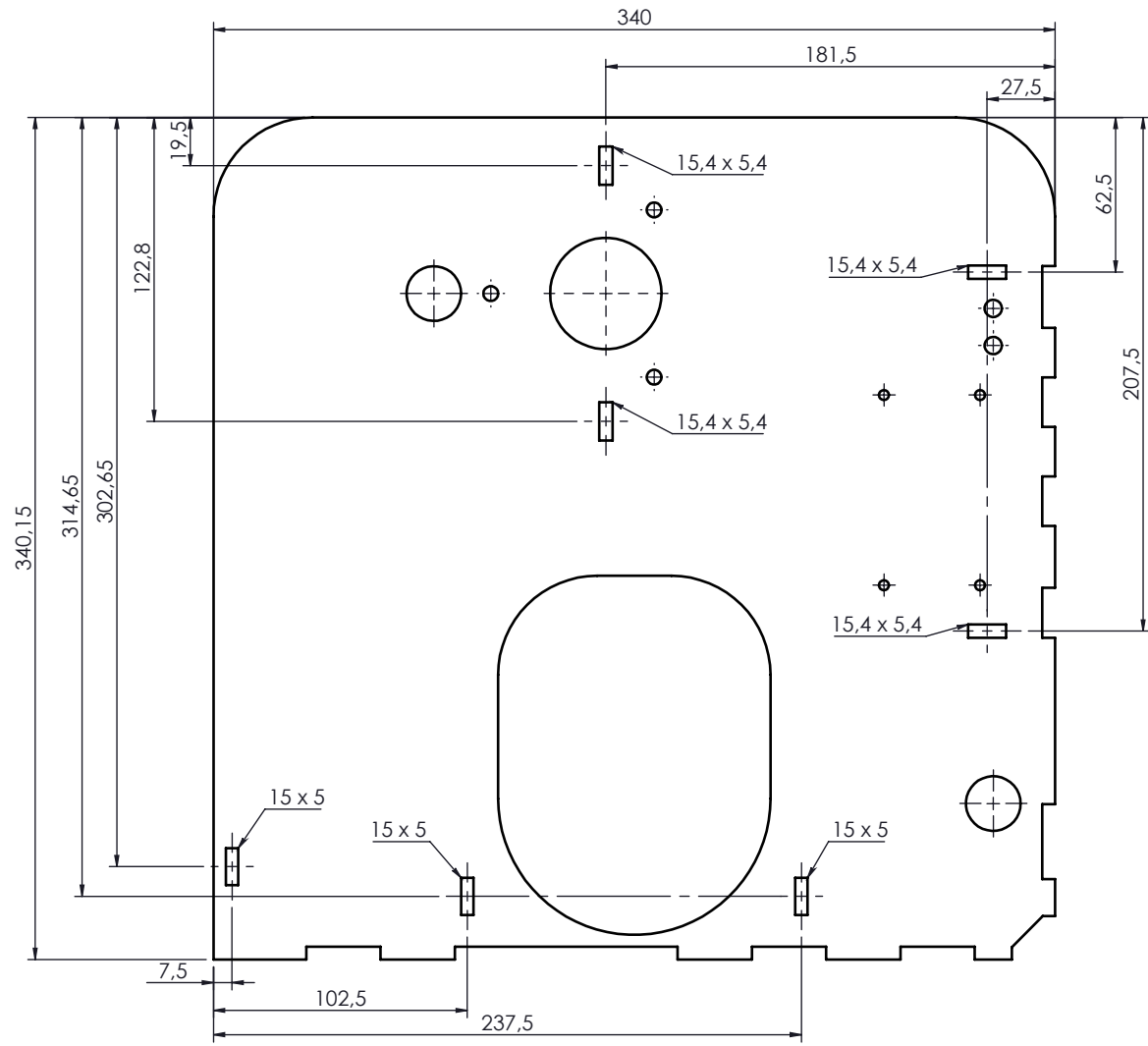
A

IND	MODIFICATIONS	DATE	VISA	VERIF	IND	MODIFICATIONS	DATE	VISA	VERIF
A	ISSUED FOR MANUFACTURE	25/03/2020	NG						



THICKNESS :	5 mm	ENSEMBLE : LATERAL IZQUIERDO EXTERIOR	ECH 1:3	OXYGEN	IND A
MATERIAL:	-				
QUANTITY:	1	PIECE : OXIGEN V5			

IND	MODIFICATIONS	DATE	VISA	VERIF	IND	MODIFICATIONS	DATE	VISA	VERIF
A	ISSUED FOR MANUFACTURE	25/03/2020	NG						

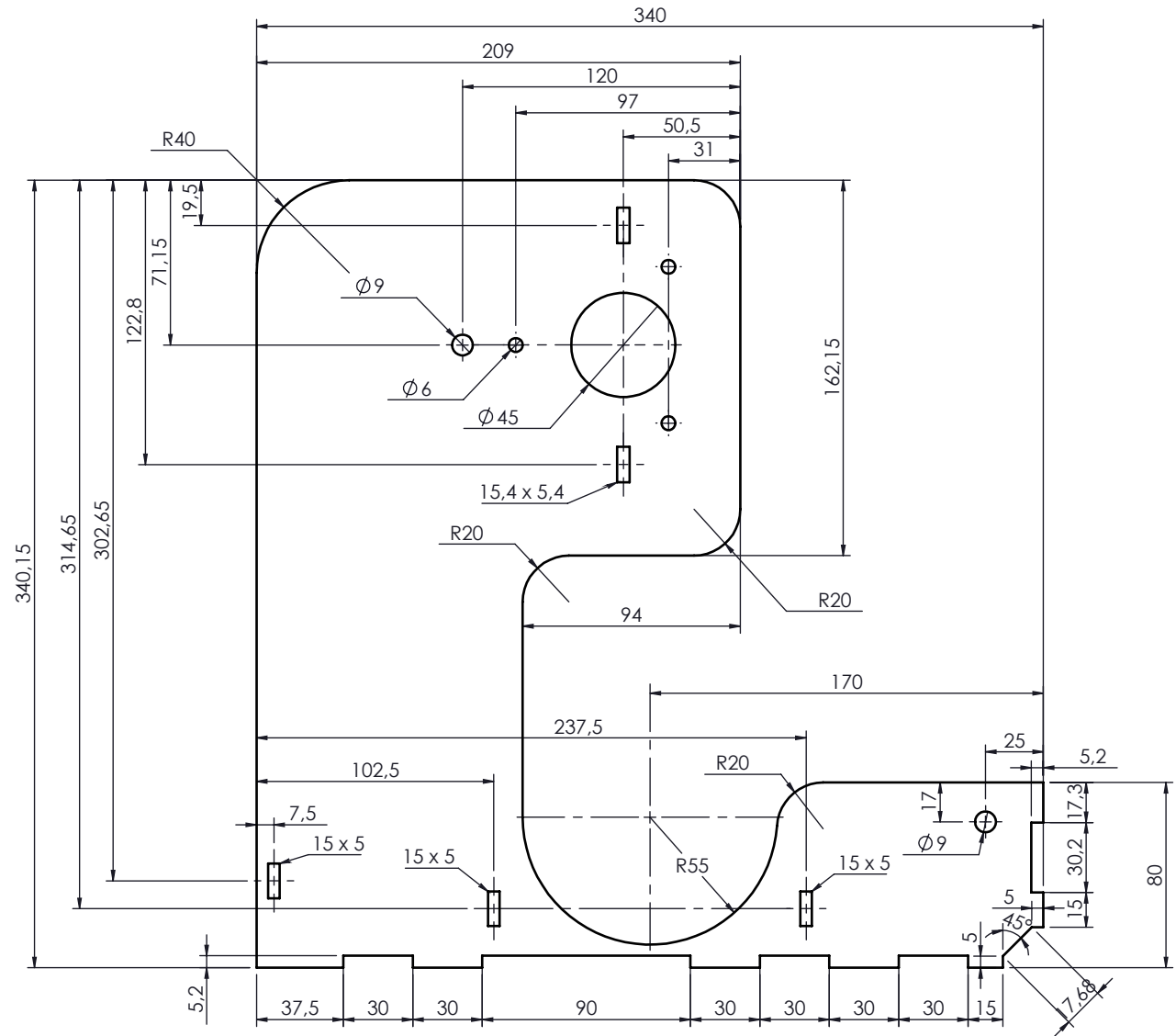


THICKNESS :	5 mm
MATERIAL:	-
QUANTITY:	1

ENSEMBLE :	LATERAL IZQUIERDO EXTERIOR APERTURAS PESTAÑAS
PIECE :	OXIGEN V5

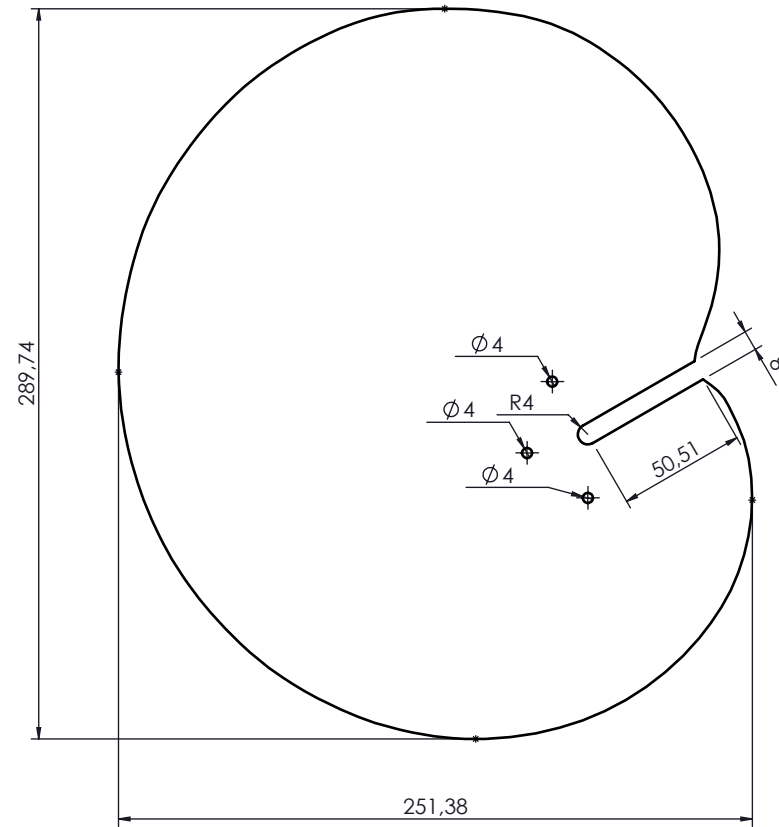
ECH	1:3	OXYGEN	IND A

IND	MODIFICATIONS	DATE	VISA	VERIF	IND	MODIFICATIONS	DATE	VISA	VERIF
A	ISSUED FOR MANUFACTURE	25/03/2020	NG						



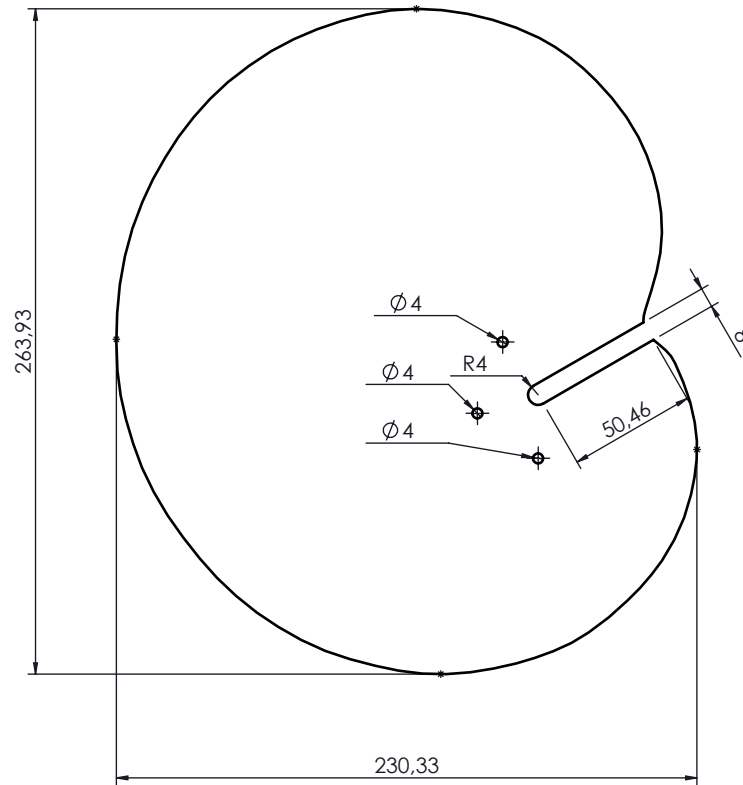
THICKNESS :	5 mm	ENSEMBLE : LATERAL IZQUIERDO INTERIOR	ECH 1:3	OXYGEN	IND A
MATERIAL:	-				
QUANTITY:	1	PIECE : OXIGEN V5			

IND	MODIFICATIONS	DATE	VISA	VERIF	IND	MODIFICATIONS	DATE	VISA	VERIF
A	ISSUED FOR MANUFACTURE	25/03/2020	NG						



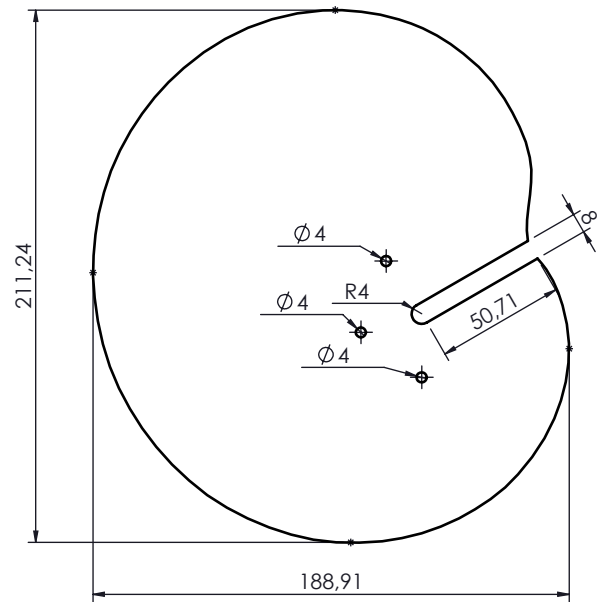
THICKNESS :	5 mm			ECH		IND
MATERIAL:	-	ENSEMBLE :	LEVA 1	1:3	OXYGEN	A
QUANTITY:	1	PIECE :	OXYGEN V5			

IND	MODIFICATIONS	DATE	VISA	VERIF	IND	MODIFICATIONS	DATE	VISA	VERIF
A	ISSUED FOR MANUFACTURE	25/03/2020	NG						



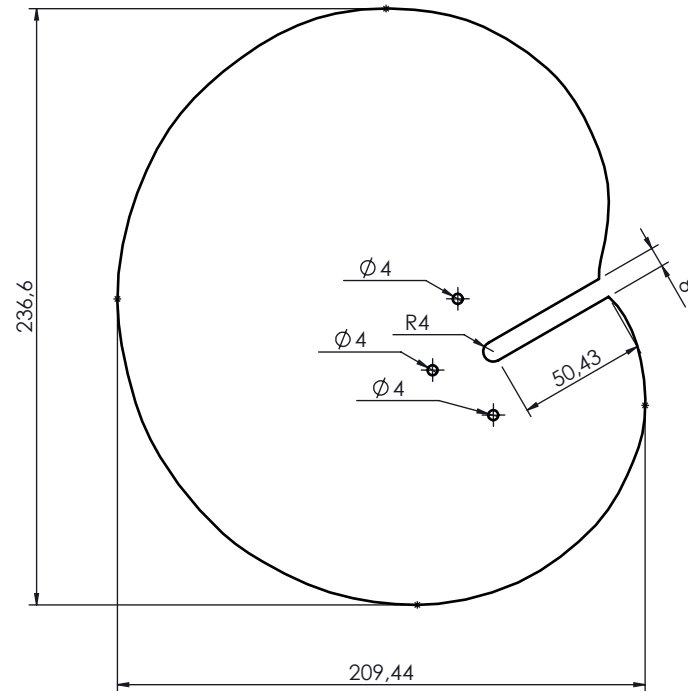
THICKNESS :	5 mm			ECH		IND
MATERIAL:	-	ENSEMBLE :	LEVA 2	1:3	OXYGEN	A
QUANTITY:	1	PIECE :	OXYGEN V5			

IND	MODIFICATIONS	DATE	VISA	VERIF	IND	MODIFICATIONS	DATE	VISA	VERIF
A	ISSUED FOR MANUFACTURE	25/03/2020	NG						



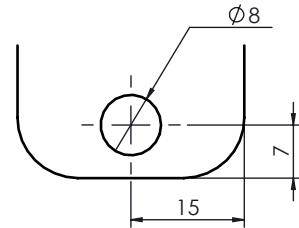
THICKNESS :	5 mm			ECH		IND
MATERIAL:	-	ENSEMBLE :	LEVA 3	1:3	OXYGEN	A
QUANTITY:	1	PIECE :	OXYGEN V5			

IND	MODIFICATIONS	DATE	VISA	VERIF	IND	MODIFICATIONS	DATE	VISA	VERIF
A	ISSUED FOR MANUFACTURE	25/03/2020	NG						

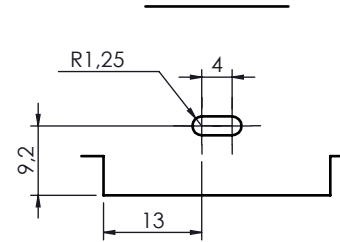


THICKNESS :	5 mm			ECH		IND
MATERIAL:	-	ENSEMBLE :	LEVA 4	1:3	OXYGEN	A
QUANTITY:	1	PIECE :	OXYGEN V5			

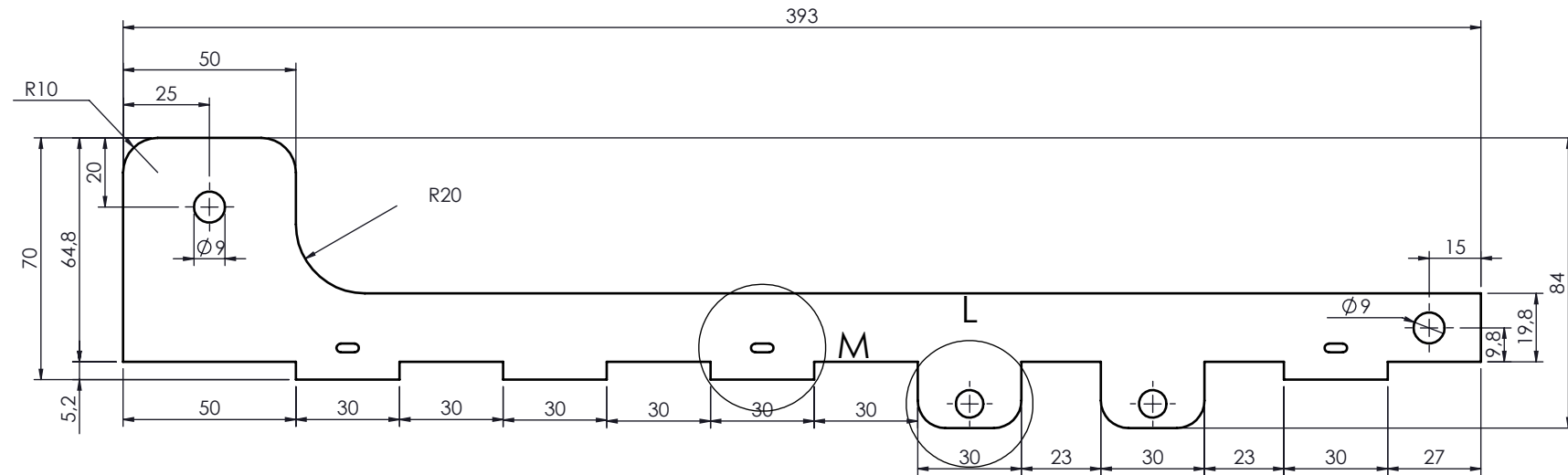
IND	MODIFICATIONS	DATE	VISA	VERIF	IND	MODIFICATIONS	DATE	VISA	VERIF
A	ISSUED FOR MANUFACTURE	25/03/2020	NG						



DETALLE L
ESCALA 1 : 1



DETALLE M
ESCALA 1 : 1



THICKNESS : 5 mm

MATERIAL: -

QUANTITY: 2

ENSEMBLE : NERVIO PLANCHA

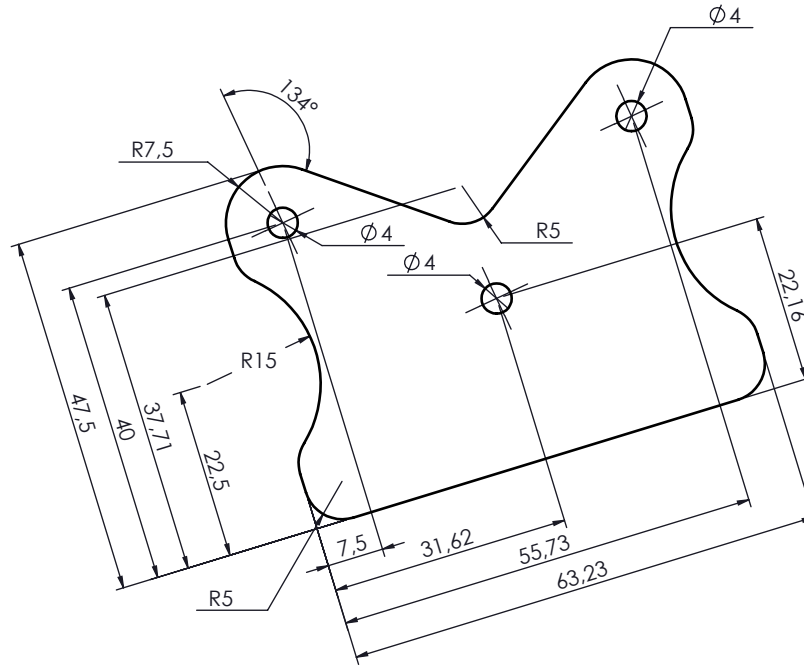
PIECE : OXIGEN V5

ECH
1:2

OXYGEN

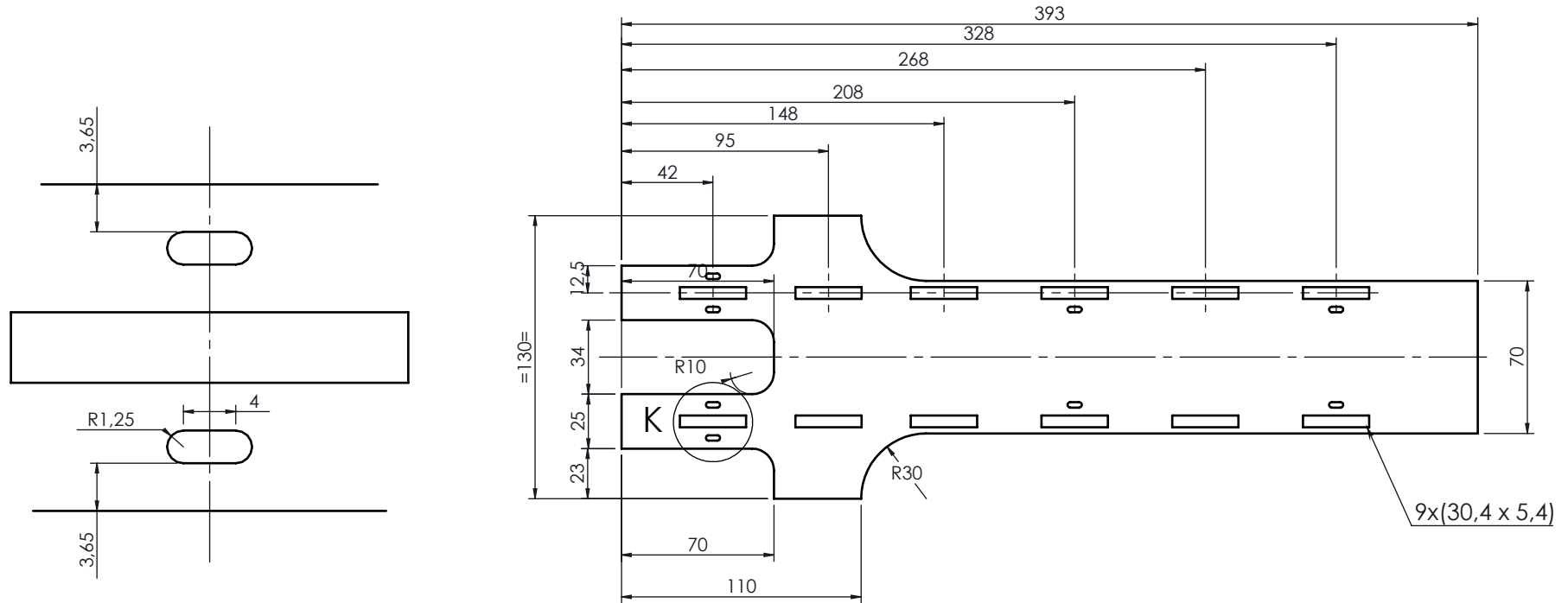
IND
A

IND	MODIFICATIONS	DATE	VISA	VERIF	IND	MODIFICATIONS	DATE	VISA	VERIF
A	ISSUED FOR MANUFACTURE	25/03/2020	NG						



THICKNESS :	5 mm			ECH		IND
MATERIAL:	-	ENSEMBLE :	PASADOR	1:1	OXYGEN	A
QUANTITY:	1	PIECE :	OXIGEN V5			

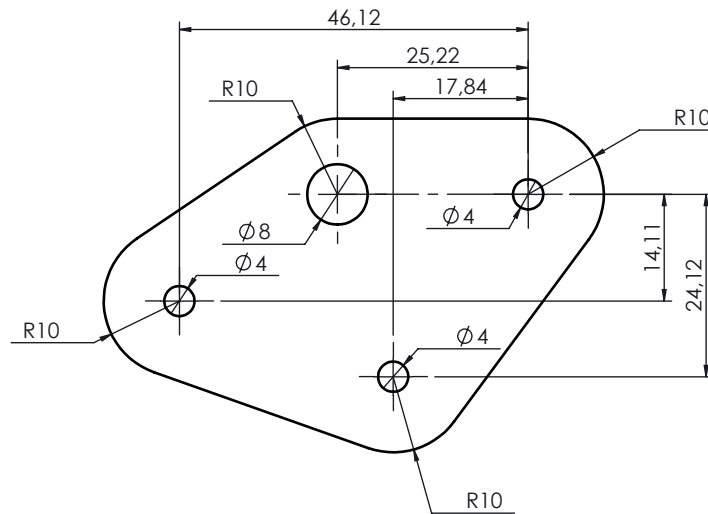
IND	MODIFICATIONS	DATE	VISA	VERIF	IND	MODIFICATIONS	DATE	VISA	VERIF
A	ISSUED FOR MANUFACTURE	25/03/2020	NG						



DETALLE K
ESCALA 2 : 1

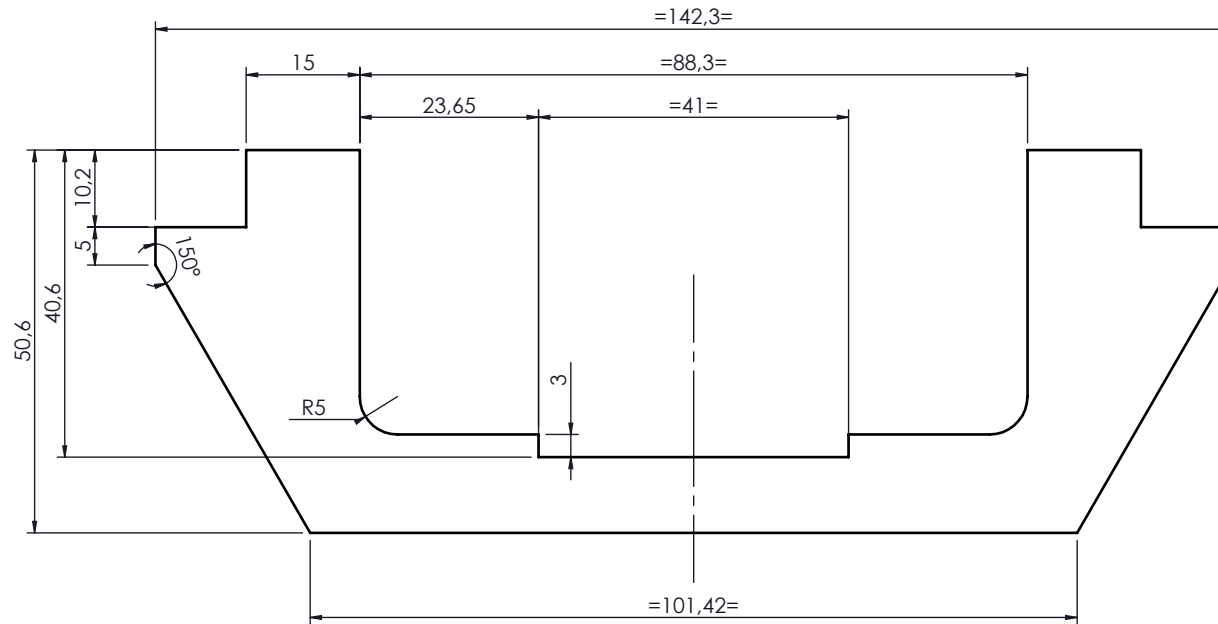
THICKNESS :	5 mm	ENSEMBLE :	PLANCHA	ECH	1:3	OXYGEN	IND
MATERIAL:	-						
QUANTITY:	1	PIECE :	OXIGEN V5				A

IND	MODIFICATIONS	DATE	VISA	VERIF	IND	MODIFICATIONS	DATE	VISA	VERIF
A	ISSUED FOR MANUFACTURE	25/03/2020	NG						



THICKNESS :	5 mm			ECH		IND
MATERIAL:	-	ENSEMBLE :	SOPORTE PASADOR	1:1	OXYGEN	A
QUANTITY:	2	PIECE :	OXIGEN V5			

IND	MODIFICATIONS	DATE	VISA	VERIF	IND	MODIFICATIONS	DATE	VISA	VERIF
A	ISSUED FOR MANUFACTURE	25/03/2020	NG						



THICKNESS :	5 mm			ECH		IND
MATERIAL:	-	ENSEMBLE :	TOPE COUPLING	1:1	OXYGEN	A
QUANTITY:	1	PIECE :	OXIGEN V5			