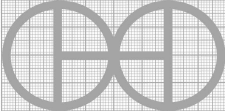
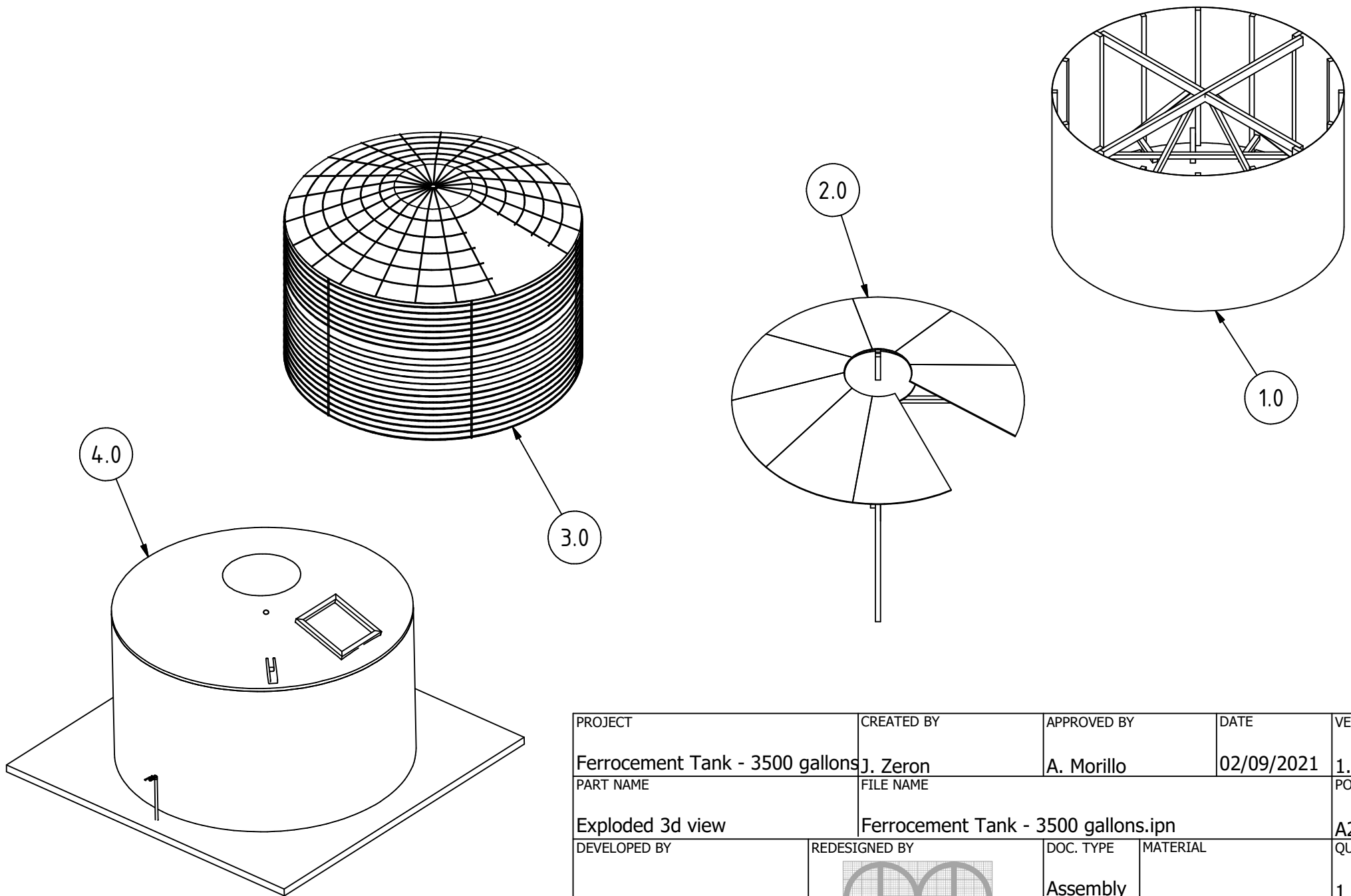
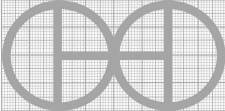


Note: All units in mm.

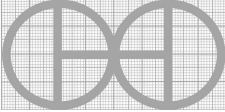
PROJECT	CREATED BY	APPROVED BY	DATE	VERSION
Ferrocement Tank - 3500 gallons	J. Zeron	A. Morillo	02/09/2021	1.0
PART NAME	FILE NAME			POS
3d views	Ferrocement Tank - 3500 gallons.iam			A1
DEVELOPED BY	REDESIGNED BY	DOC. TYPE	MATERIAL	QUANTITY
Chistian Action for Development in the Caribbean	 OHO e.V.	Assembly		
		LICENCE	SCALE	SHEET
		CC-BY-SA 4.0	1:60	1 /27



PROJECT	CREATED BY	APPROVED BY	DATE	VERSION
Ferrocement Tank - 3500 gallons	J. Zeron	A. Morillo	02/09/2021	1.0
PART NAME	FILE NAME			POS
Exploded 3d view	Ferrocement Tank - 3500 gallons.ipn			A2
DEVELOPED BY	REDESIGNED BY	DOC. TYPE	MATERIAL	QUANTITY
Chistian Action for Development in the Caribbean	 OHO e.V.	Assembly		1
		LICENCE	SCALE	SHEET
		CC-BY-SA 4.0	1:50	2 /27

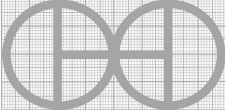
Parts list

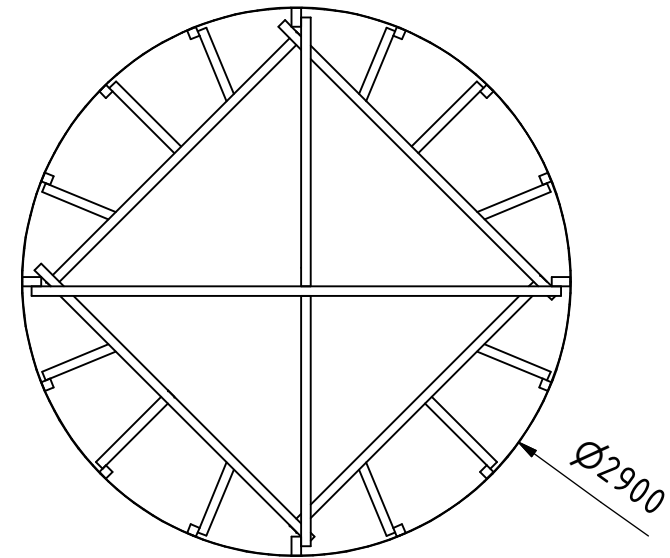
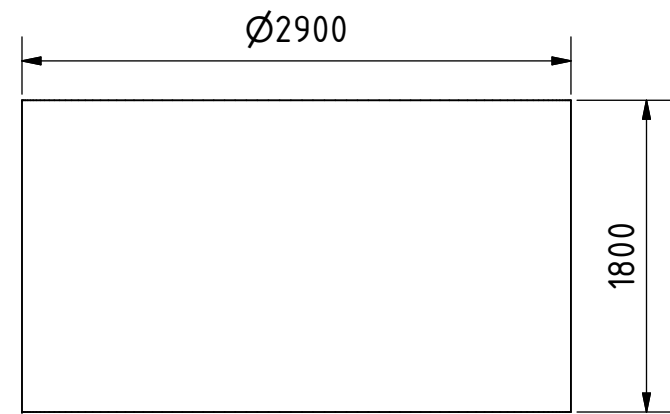
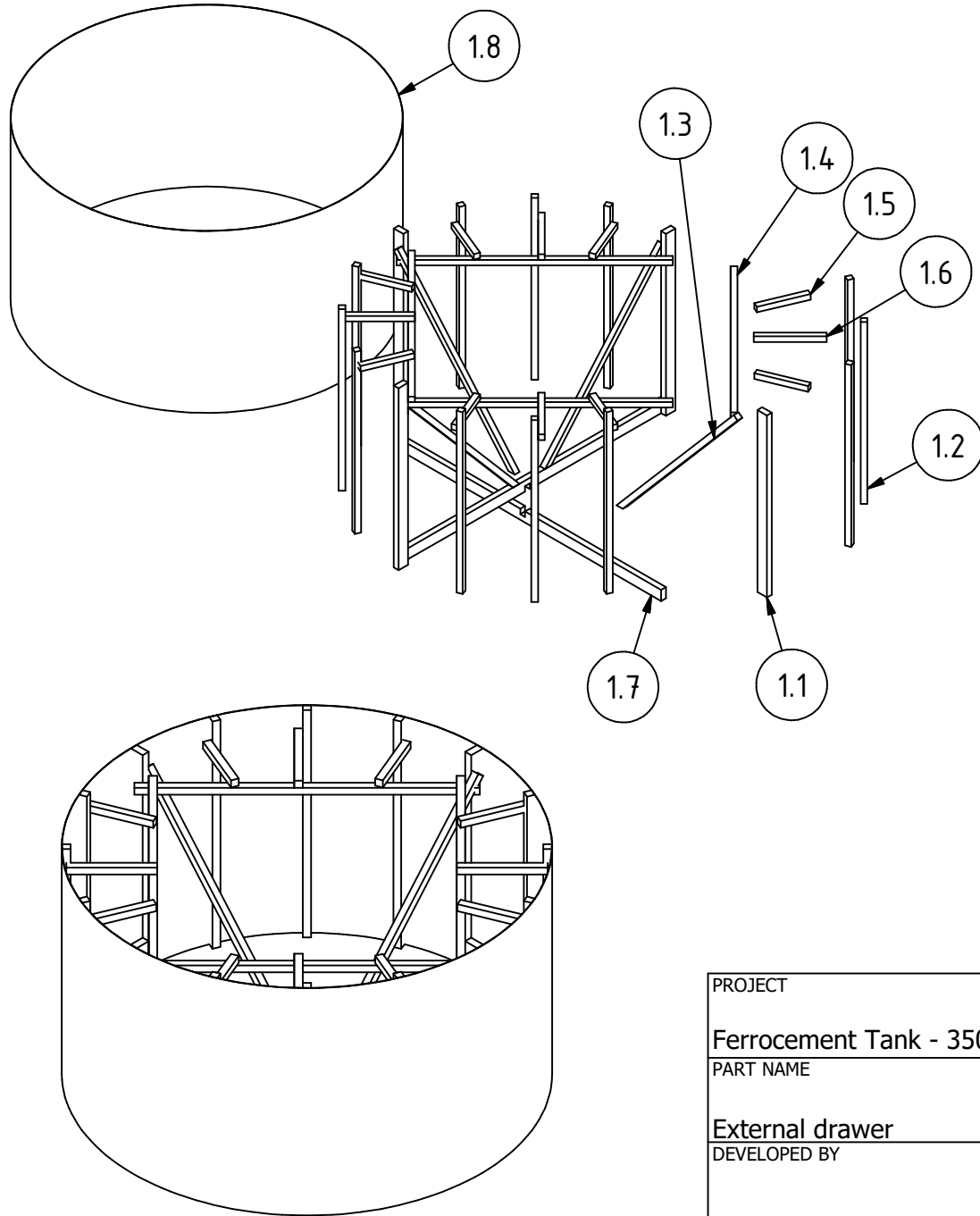
POS	QTY	PART NAME	FILE NAME	PART TYPE	SPECIFICATIONS	SHEET
A1	-	3d views	Ferrocement Tank - 3500 gallons.iam	-	-	1
A2	-	Exploded 3d view	Ferrocement Tank - 3500 gallons.ipn	-	-	2
B1	-	Parts list	Ferrocement Tank - 3500 gallons.csv	-	-	3-4
1.0	1	Wall formwork	Wall formwork.ipn	-	-	5
1.1	4	Vertical support A	-	Production	Hardwood 100x50x1800mm	-
1.2	12	Vertical support B	-	Production	Hardwood 50x50x1800mm	-
1.3	4	Diagonal support A	Diagonal support A.ipt	Production	Hardwood 50x50mm	6
1.4	4	Top support A	-	Production	Hardwood 50x50mm	-
1.5	8	Top support B	-	Production	Hardwood 50x50mm	-
1.6	4	Top support C	-	Production	Hardwood 50x50mm	-
1.7	2	Bottom support	Bottom support.ipt	Production	Hardwood 100x50mm	7
1.8	4	Roofing sheet	Roofing sheet.ipt	Production	Corrugated zinc sheet gauge #28 0.31mm (3660x810mm)	8
1.9	65	Nails A	-	Buy	Steel nails 50x2.2mm	-
2.0	1	Roof formwork	Roof formwork.ipn	-	-	9
2.1	1	Central support	-	Production	Hardwood 50x50mm	-
2.2	4	Diagonal support B	Diagonal support B.ipt	Production	Hardwood 50x50mm	10
2.3	2	Horizontal support	-	Production	Hardwood 50x50mm	-
2.4	1	Disc support	Disc support.ipt	Production	Plywood 12mm	11
2.5	8	Triangular support	Triangular support.ipt	Production	Plywood 12mm	12
2.6	25	Nails B	-	Buy	Steel nails 50x2.2mm	-
3.0	1	Reinforcement	Reinforcement.ipn	-	-	13
3.1	1	Wall mesh wire	Wall mesh wire.ipt	Production	Galvanized mesh wire 25mm hex galvanized	14
3.2	1	Roof mesh wire	Roof mesh wire.ipt	Production	Galvanized mesh wire 25mm hex galvanized	15
3.3	6	Vertical bar	Vertical bar.ipt	Production	Steel A36 bar D 13mm	16
3.4	38	Circular bar	Circular bar.ipt	Production	Steel A36 bar D 6mm	17
3.5	21	Roof bar A	Roof bar A.ipt	Production	Steel A36 bar D 6mm	18
3.6	1	Roof bar B	Roof bar B.ipt	Production	Steel A36 bar D 6mm	19
3.7	1	Roof bar C	Roof bar C.ipt	Production	Steel A36 bar D 6mm	20
3.8	1	Roof bar D	Roof bar D.ipt	Production	Steel A36 bar D 6mm	21
3.9	1	Roof bar E	Roof bar E.ipt	Production	Steel A36 bar D 6mm	22
3.10	1	Roof bar F	Roof bar F.ipt	Production	Steel A36 bar D 6mm	23

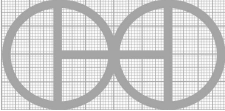
PROJECT		CREATED BY		APPROVED BY		DATE		VERSION	
Ferrocement Tank - 3500 gallons		J. Zeron		A. Morillo		02/09/2021		1.0	
PART NAME			FILE NAME				POS		
Parts list			Ferrocement Tank - 3500 gallons.csv				B1		
DEVELOPED BY			REDESIGNED BY		DOC. TYPE		MATERIAL		QUANTITY
Chistian Action for Development in the Caribbean			 OHO e.V.		Parts list				
					LICENCE		SCALE		SHEET
					CC-BY-SA 4.0				3 /27

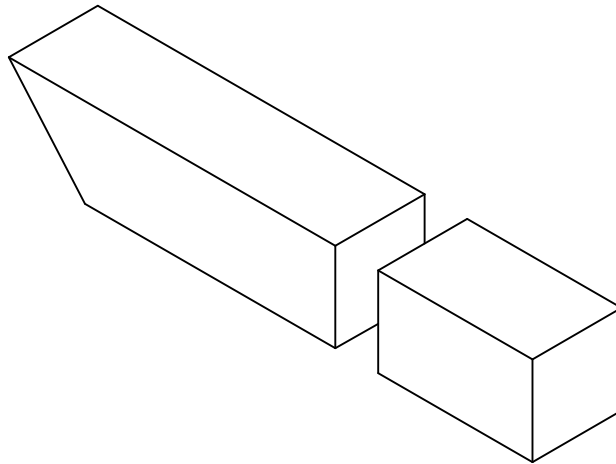
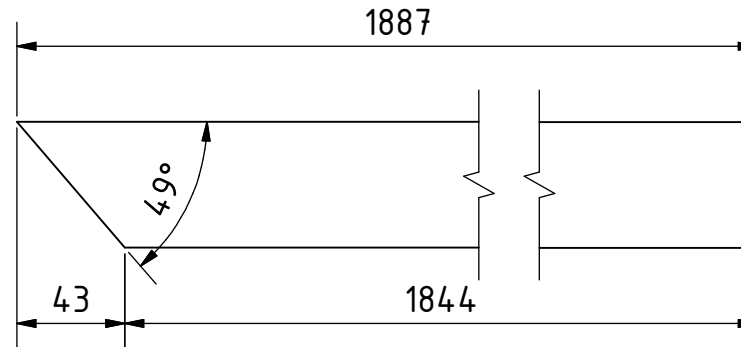
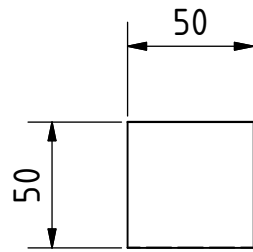
Parts list

POS	QTY	PART NAME	FILE NAME	PART TYPE	SPECIFICATIONS	SHEET
4.0	-	Tank	Tank.ipn	-	-	24
4.1	1	Pipe A	-	Production	PVC pipe 3/4" schedule 40, 500mm	-
4.2	1	Pipe B	-	Production	PVC pipe 3/4" schedule 40, 450mm	-
4.3	1	Pipe C	-	Production	PVC pipe 3/4" schedule 40, 300mm	-
4.4	3	Elbow	-	Buy	PVC elbow 3/4"	-
4.5	1	Valve	-	Buy	Brass ball valve 3/4"	-
4.6	1	Slab	Slab.ipt	Production	Reinforced concrete	25
4.7	1	Tank ferrocement	Tank ferrocement.ipt	Production	Cement mortar mix	26
4.8	4	Frame	Frame.ipt	Production	Hardwood	27

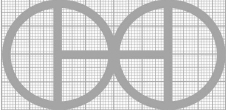
PROJECT		CREATED BY		APPROVED BY		DATE		VERSION	
Ferrocement Tank - 3500 gallons		J. Zeron		A. Morillo		02/09/2021		1.0	
PART NAME		FILE NAME						POS	
Parts list		Ferrocement Tank - 3500 gallons.csv						B1	
DEVELOPED BY			REDESIGNED BY			DOC. TYPE	MATERIAL		QUANTITY
Chistian Action for Development in the Caribbean			 OHO e.V.			Parts list			
						LICENCE		SCALE	SHEET
						CC-BY-SA 4.0			4 /27

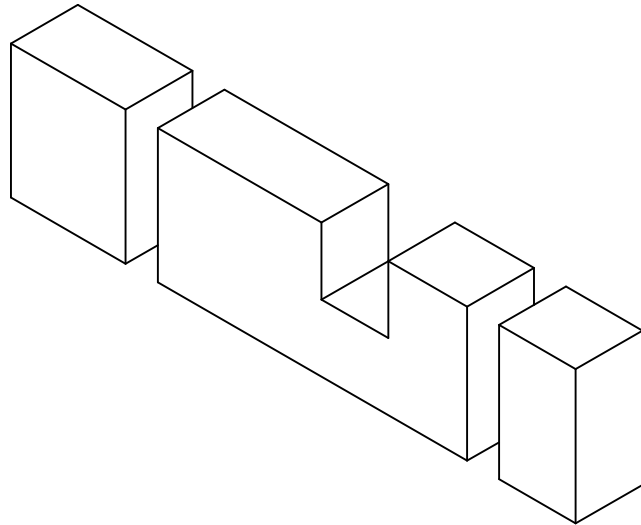
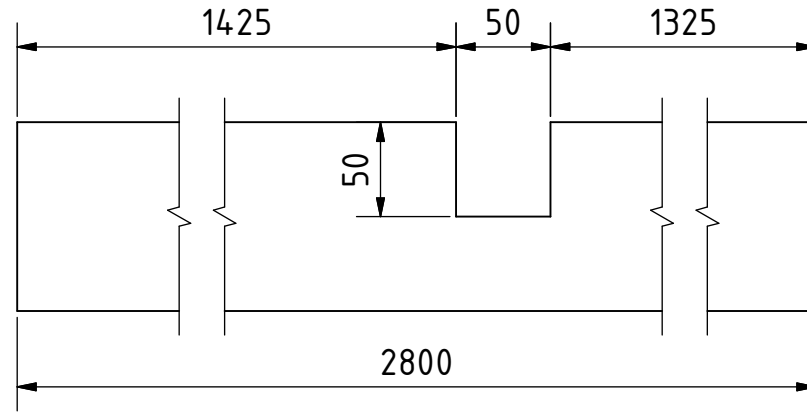
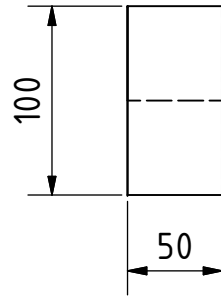


PROJECT	CREATED BY	APPROVED BY	DATE	VERSION
Ferrocement Tank - 3500 gallons	J. Zeron	A. Morillo	02/09/2021	1.0
PART NAME	FILE NAME			POS
External drawer	External drawer.ipn			1.0
DEVELOPED BY	REDESIGNED BY	DOC. TYPE	MATERIAL	QUANTITY
Chistian Action for Development in the Caribbean	 OHO e.V.	Assembly		1
		LICENCE	SCALE	SHEET
		CC-BY-SA 4.0	1:15	5 /27

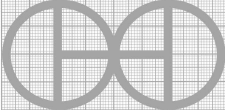


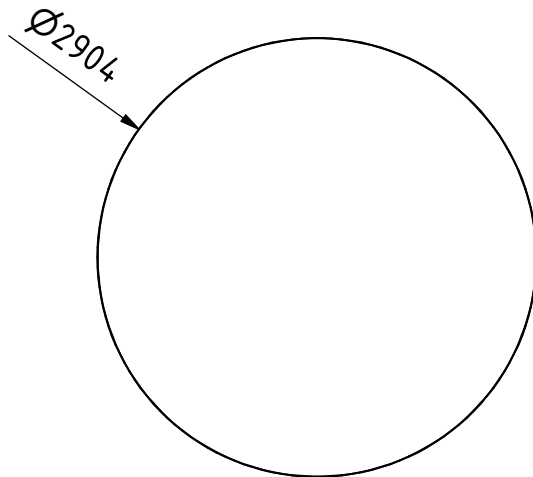
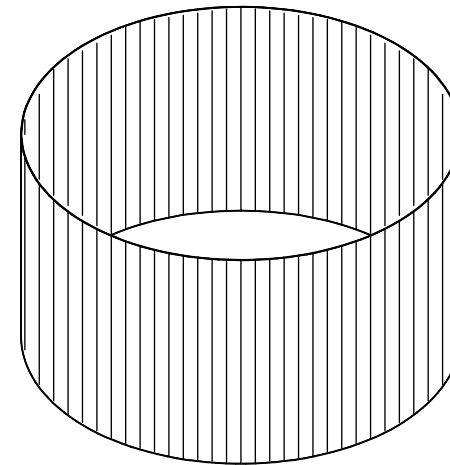
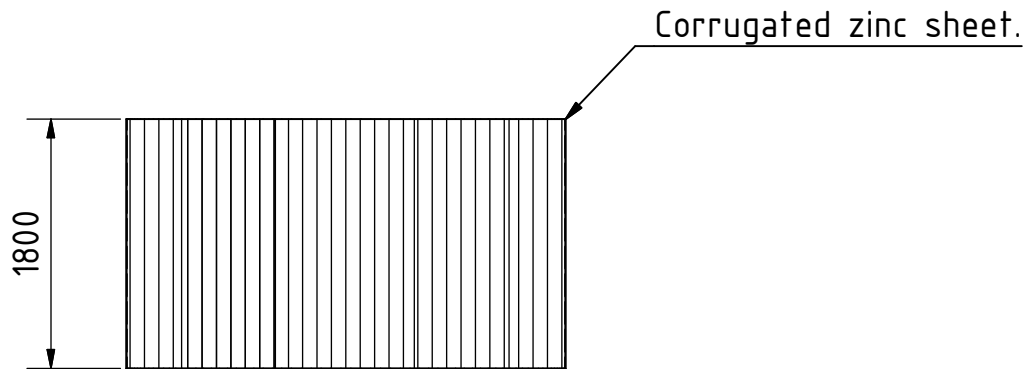
Note: All units in mm.

PROJECT	CREATED BY	APPROVED BY	DATE	VERSION
Ferrocement Tank - 3500 gallons	J. Zeron	A. Morillo	02/09/2021	1.0
PART NAME	FILE NAME			POS
Diagonal support A	Diagonal support A.ipt			1.3
DEVELOPED BY	REDESIGNED BY	DOC. TYPE	MATERIAL	QUANTITY
Chistian Action for Development in the Caribbean	 OHO e.V.	Part	Hardwood	4
		LICENCE	SCALE	SHEET
		CC-BY-SA 4.0	1:3	6 /27

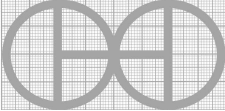


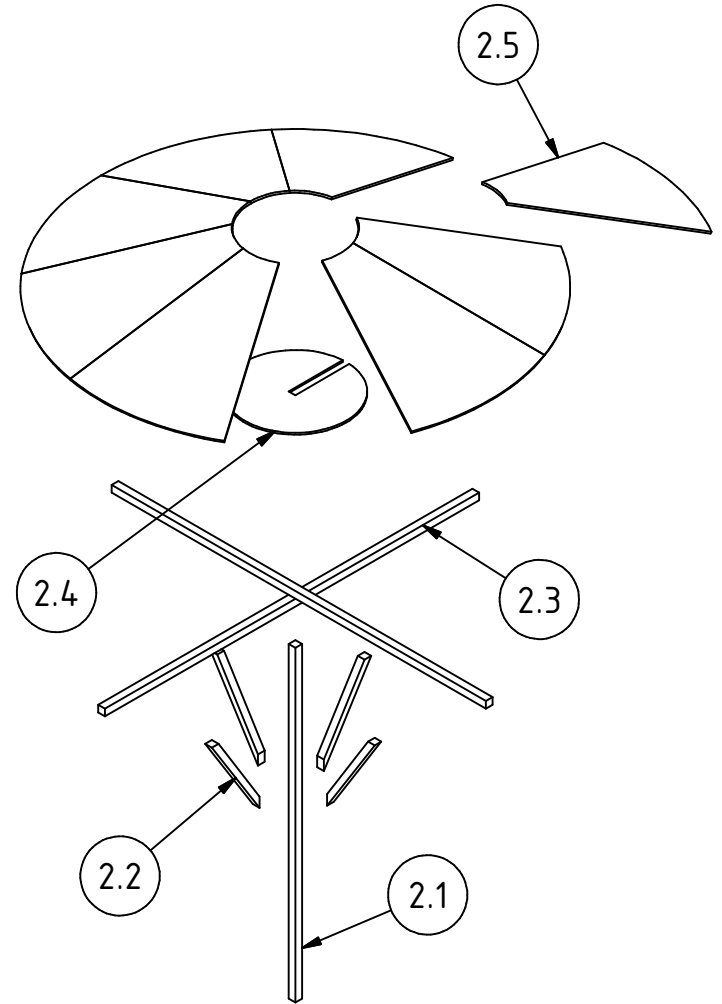
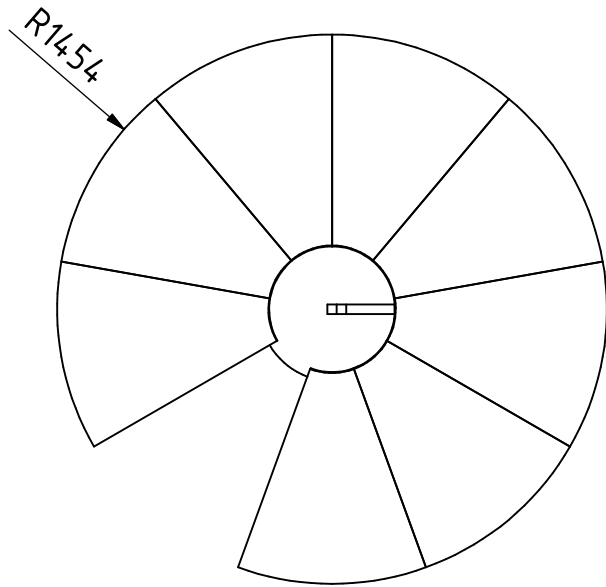
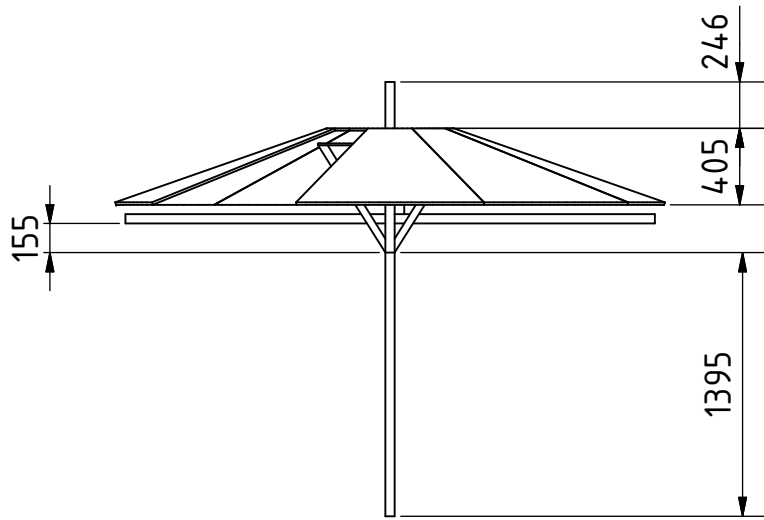
Note: All units in mm.

PROJECT	CREATED BY	APPROVED BY	DATE	VERSION
Ferrocement Tank - 3500 gallons	J. Zeron	A. Morillo	02/09/2021	1.0
PART NAME	FILE NAME			POS
Bottom support	Bottom support.ipt			1.7
DEVELOPED BY	REDESIGNED BY	DOC. TYPE	MATERIAL	QUANTITY
Chistian Action for Development in the Caribbean	 OHO e.V.	Part	Hardwood	2
		LICENCE	SCALE	SHEET
		CC-BY-SA 4.0	1:4	7 /27

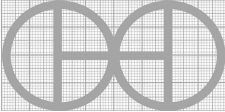


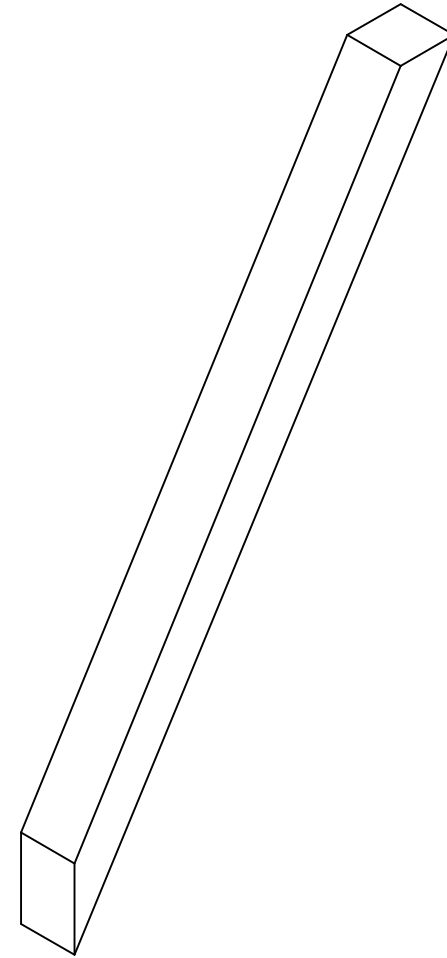
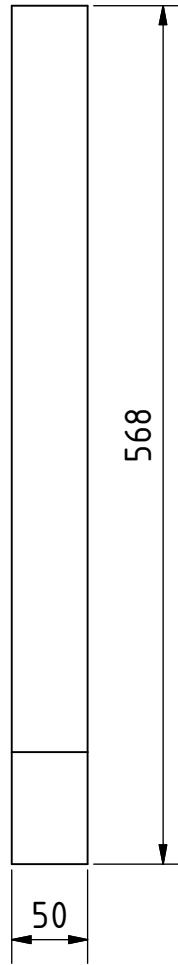
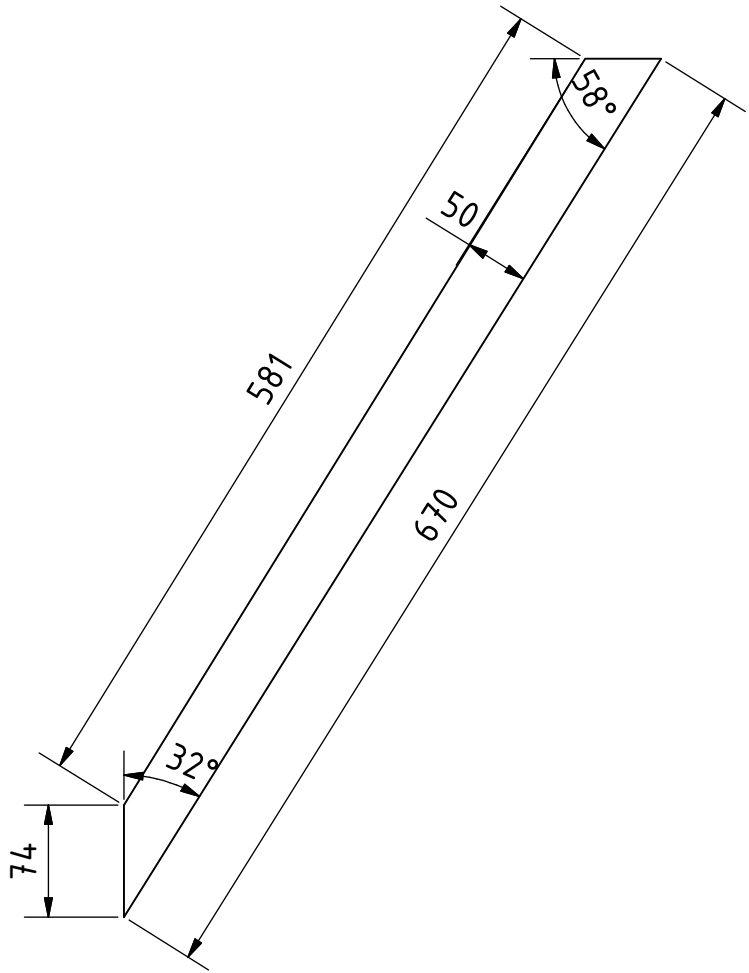
Note: All units in mm.

PROJECT	CREATED BY	APPROVED BY	DATE	VERSION
Ferrocement Tank - 3500 gallons	J. Zeron	A. Morillo	02/09/2021	1.0
PART NAME	FILE NAME			POS
Roofing sheet	Roofing sheet.ipt			1.8
DEVELOPED BY	REDESIGNED BY	DOC. TYPE	MATERIAL	QUANTITY
Chistian Action for Development in the Caribbean	 OHO e.V.	Part	Corrugated zinc sheet	1
		LICENCE	SCALE	SHEET
		CC-BY-SA 4.0	1:50	8 /27

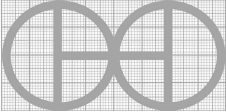


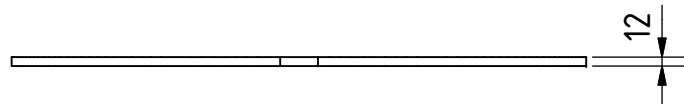
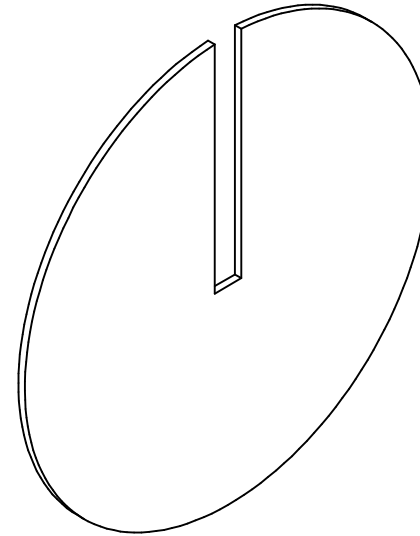
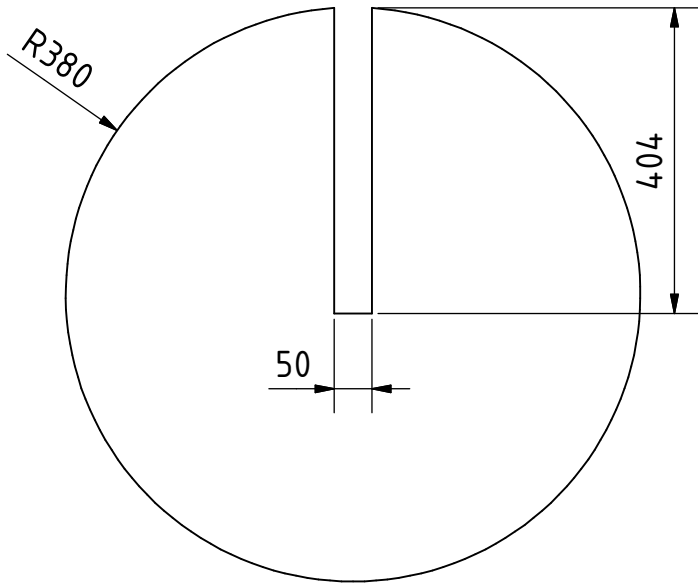
Note: All units in mm.

PROJECT	CREATED BY	APPROVED BY	DATE	VERSION
Ferrocement Tank - 3500 gallons	J. Zeron	A. Morillo	02/09/2021	1.0
PART NAME	FILE NAME			POS
Roof formwork	Roof formwork.ipn			2.0
DEVELOPED BY	REDESIGNED BY	DOC. TYPE	MATERIAL	QUANTITY
Chistian Action for Development in the Caribbean	 OHO e.V.	Assembly		1
		LICENCE	SCALE	SHEET
		CC-BY-SA 4.0	1:40	9 /27

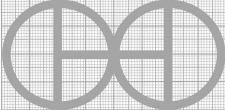


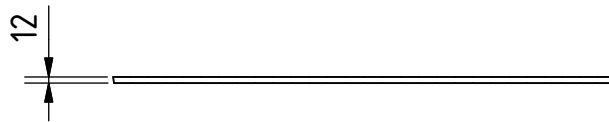
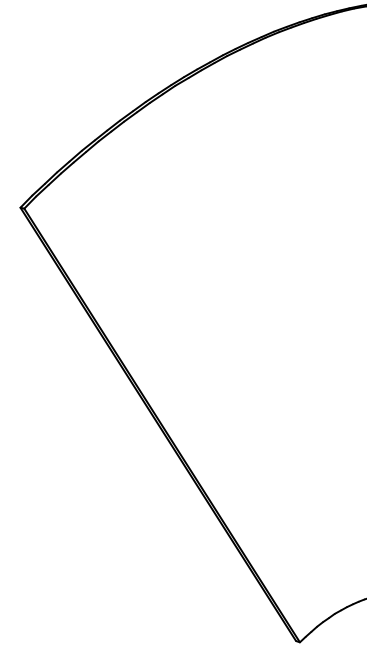
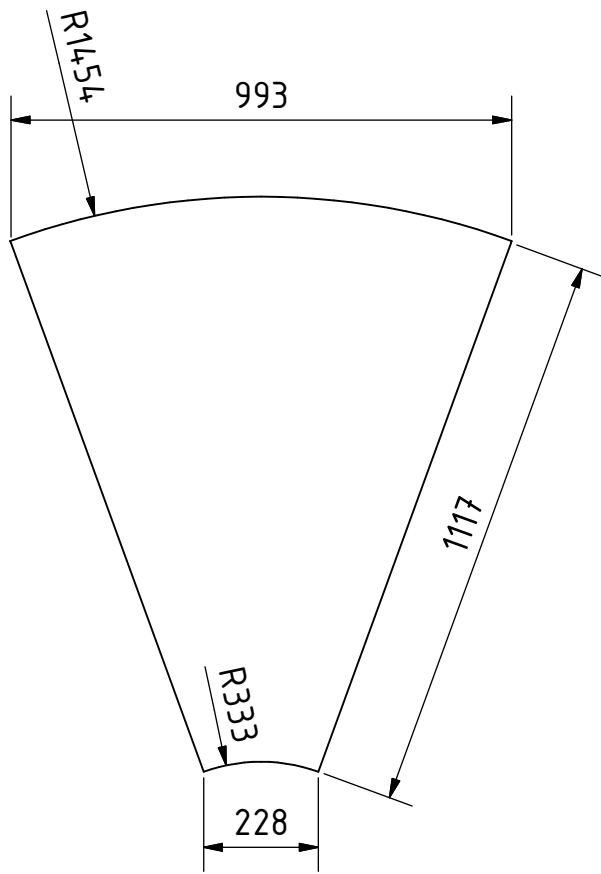
Note: All units in mm.

PROJECT	CREATED BY	APPROVED BY	DATE	VERSION
Ferrocement Tank - 3500 gallons	J. Zeron	A. Morillo	02/09/2021	1.0
PART NAME	FILE NAME			POS
Diagonal support B	Diagonal support B.ipt			2.2
DEVELOPED BY	REDESIGNED BY	DOC. TYPE	MATERIAL	QUANTITY
Chistian Action for Development in the Caribbean	 OHO e.V.	Part	Hardwood	4
		LICENCE	SCALE	SHEET
		CC-BY-SA 4.0	1:5	10 /27

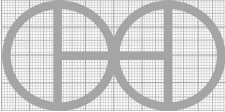


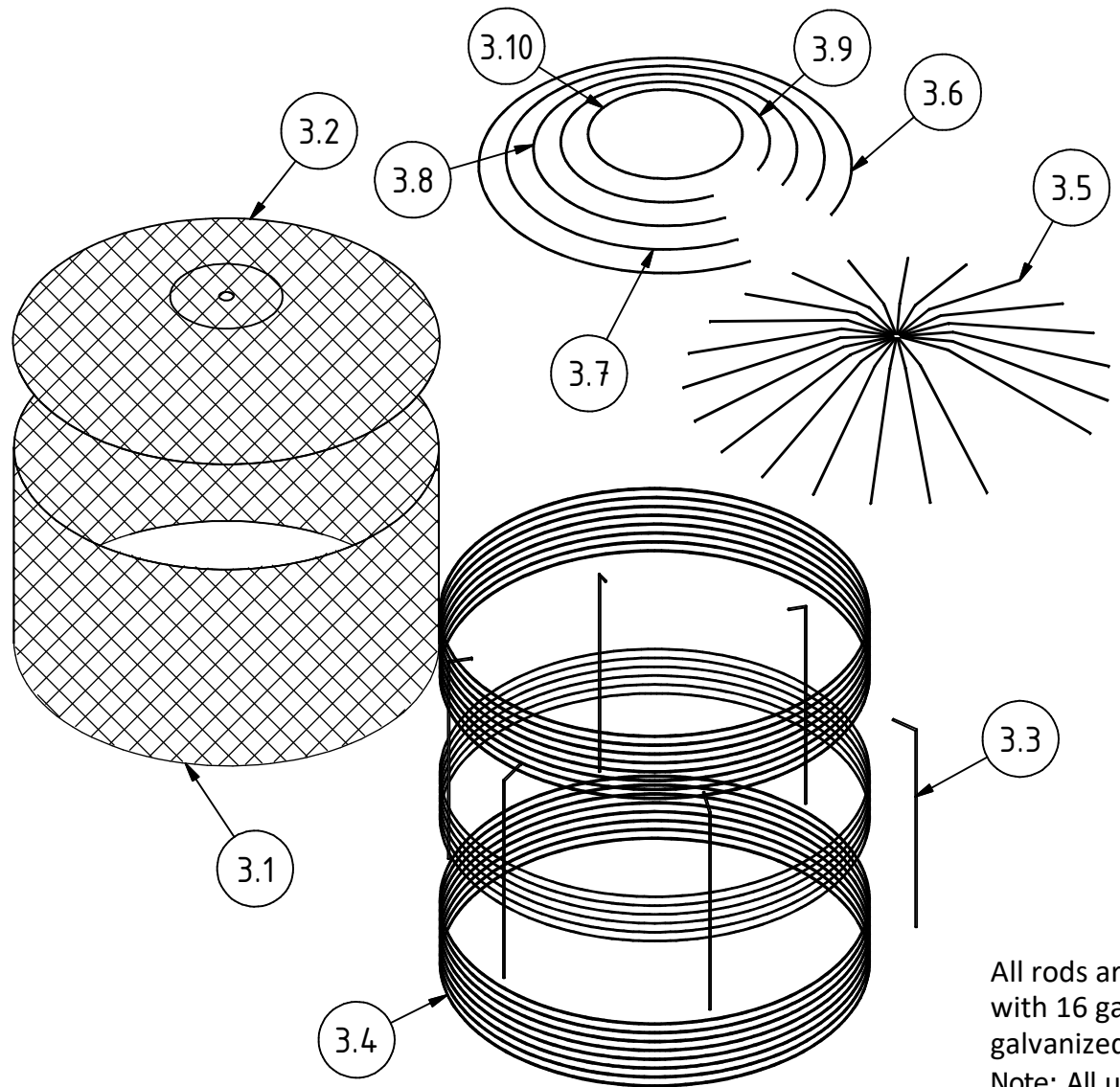
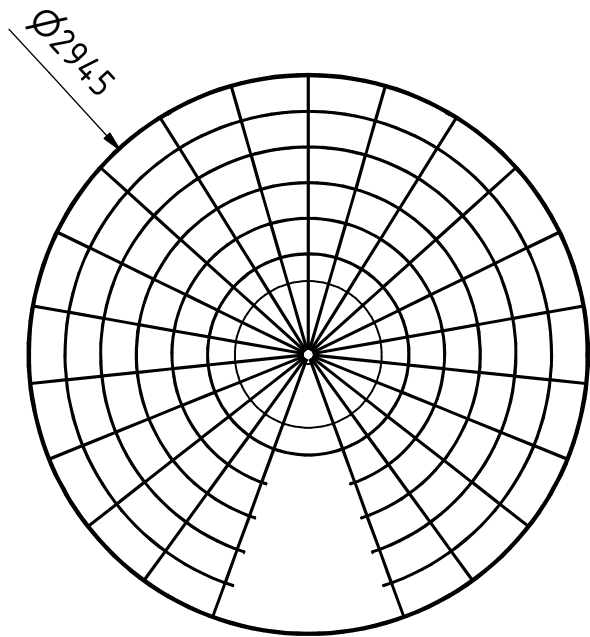
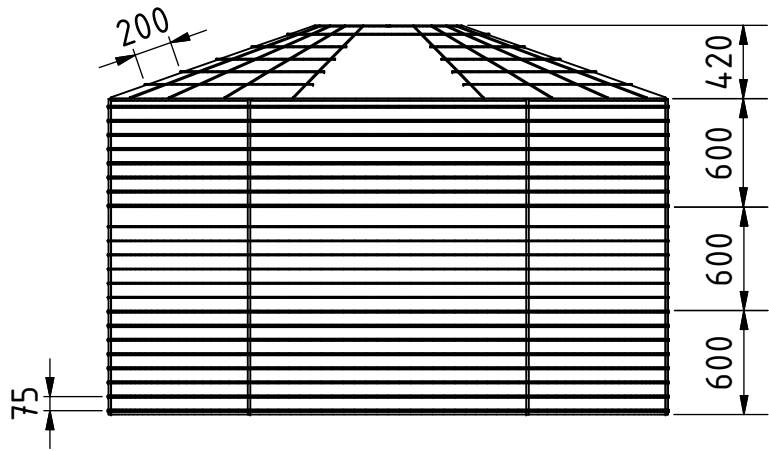
Note: All units in mm.

PROJECT	CREATED BY	APPROVED BY	DATE	VERSION
Ferrocement Tank - 3500 gallons	J. Zeron	A. Morillo	02/09/2021	1.0
PART NAME	FILE NAME			POS
Disc support	Disc support.ipt			2.4
DEVELOPED BY	REDESIGNED BY	DOC. TYPE	MATERIAL	QUANTITY
Chistian Action for Development in the Caribbean	 OHO e.V.	Part	Plywood	1
		LICENCE	SCALE	SHEET
		CC-BY-SA 4.0	1:10	11 /27

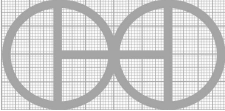


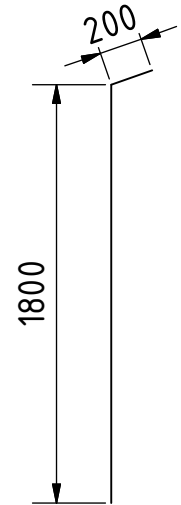
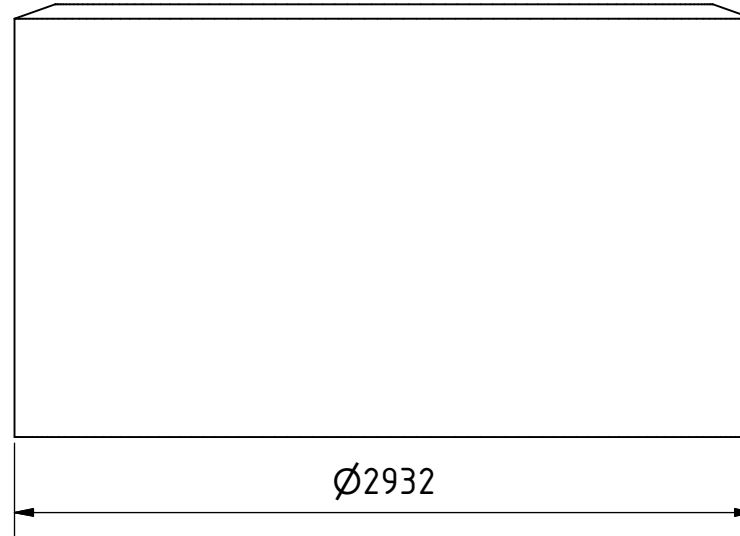
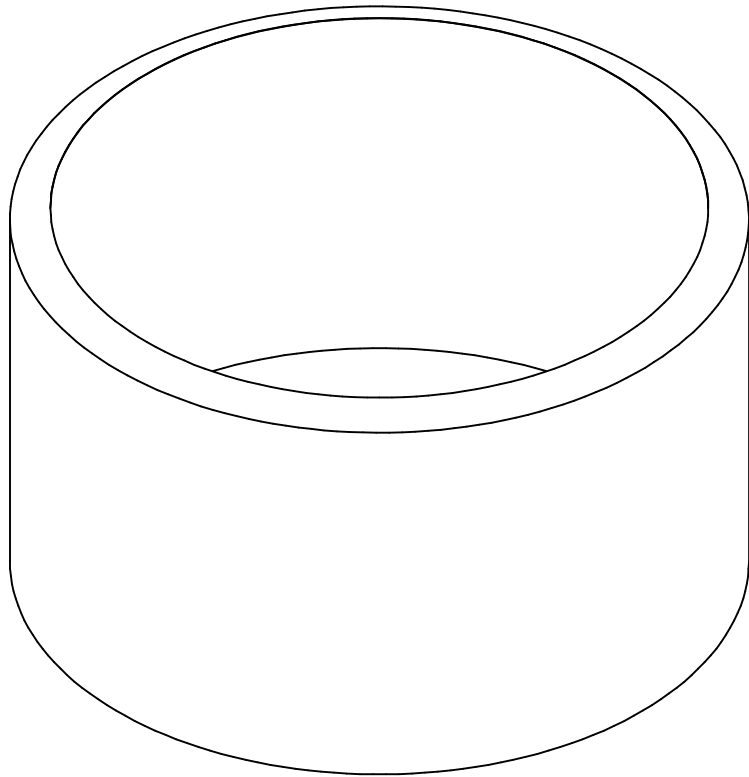
Note: All units in mm.

PROJECT	CREATED BY	APPROVED BY	DATE	VERSION
Ferrocement Tank - 3500 gallons	J. Zeron	A. Morillo	02/09/2021	1.0
PART NAME	FILE NAME			POS
Triangular support	Triangular support.ipt			2.5
DEVELOPED BY	REDESIGNED BY	DOC. TYPE	MATERIAL	QUANTITY
Chistian Action for Development in the Caribbean	 OHO e.V.	Part	Plywwod	8
		LICENCE	SCALE	SHEET
		CC-BY-SA 4.0	1:15	12 /27

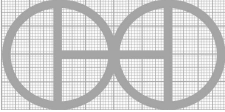


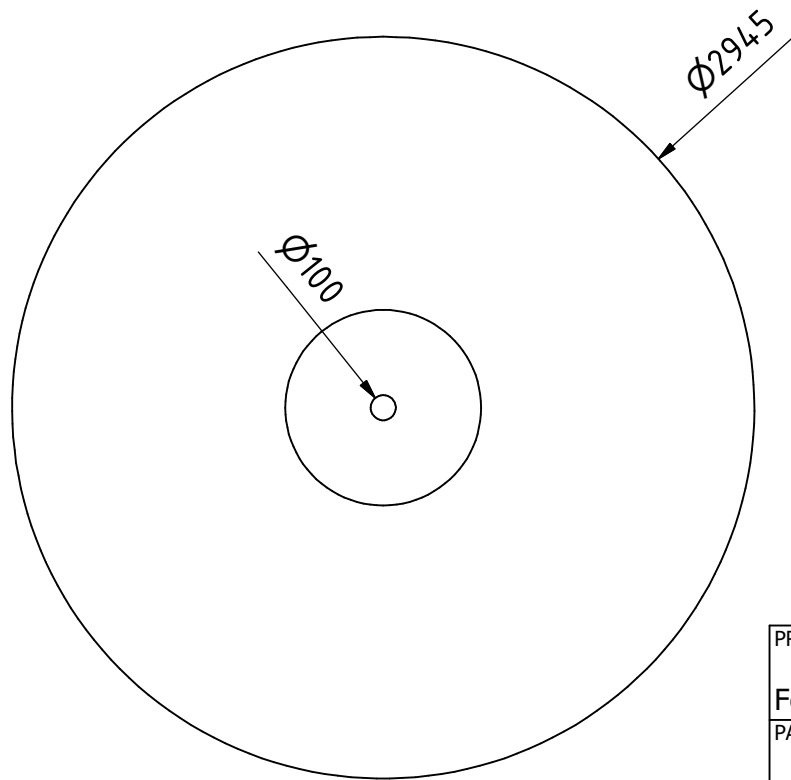
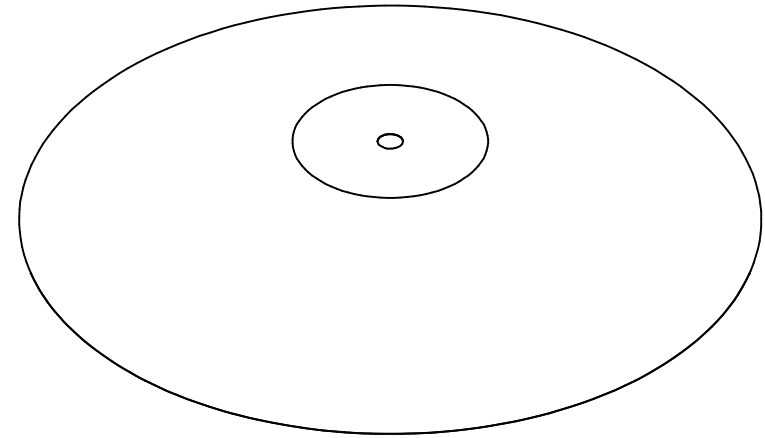
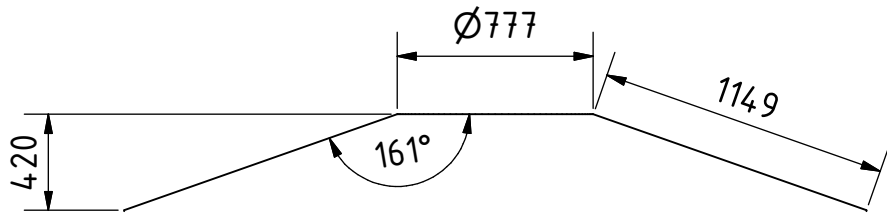
All rods are tied with 16 gauge galvanized wire.
Note: All units in mm.

PROJECT	CREATED BY	APPROVED BY	DATE	VERSION
Ferrocement Tank - 3500 gallons	J. Zeron	A. Morillo	02/09/2021	1.0
PART NAME	FILE NAME			POS
Reinforcement	Reinforcement.ipn			3.0
DEVELOPED BY	REDESIGNED BY	DOC. TYPE	MATERIAL	QUANTITY
Chistian Action for Development in the Caribbean	 OHO e.V.	Assembly		1
		LICENCE	SCALE	SHEET
		CC-BY-SA 4.0	1:40	13 /27

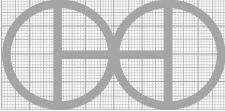


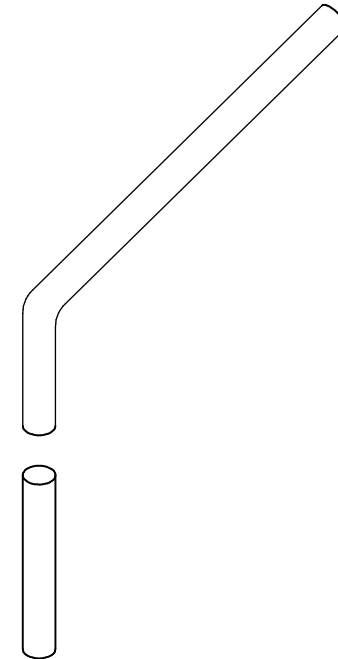
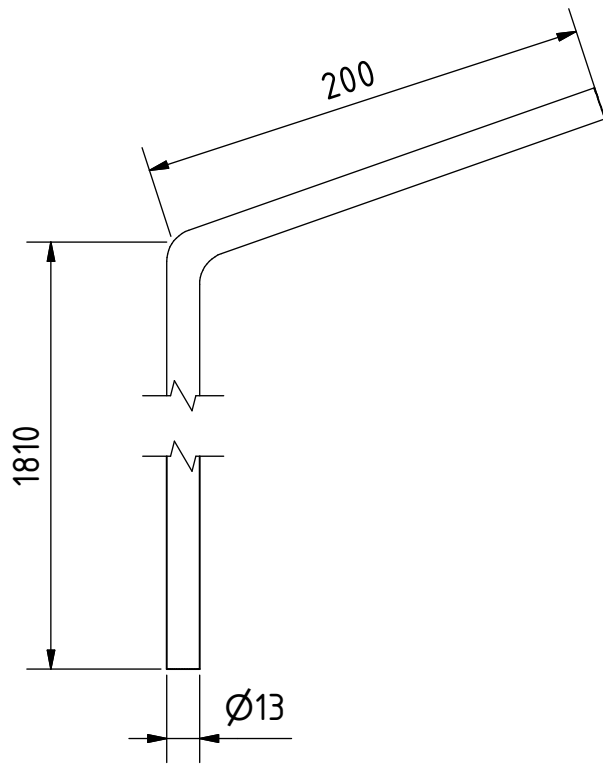
Note: All units in mm.

PROJECT	CREATED BY	APPROVED BY	DATE	VERSION
Ferrocement Tank - 3500 gallons	J. Zeron	A. Morillo	02/09/2021	1.0
PART NAME	FILE NAME			POS
Wall mesh wire	Wall mesh wire.ipt			3.1
DEVELOPED BY	REDESIGNED BY	DOC. TYPE	MATERIAL	QUANTITY
Chistian Action for Development in the Caribbean	 OHO e.V.	Part	Galvanized mesh wire	1
		LICENCE	SCALE	SHEET
		CC-BY-SA 4.0	1:30	14 /27

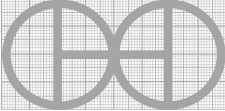


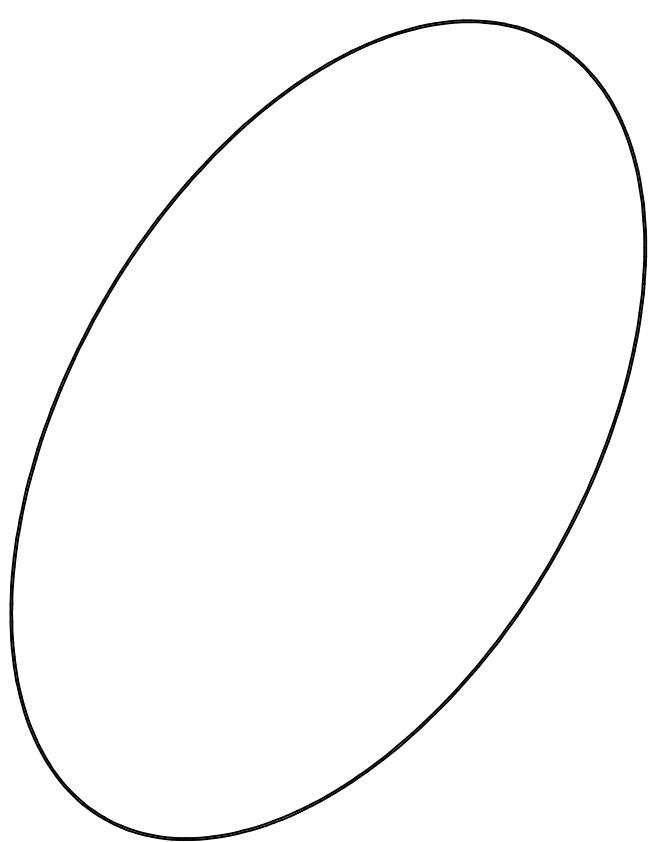
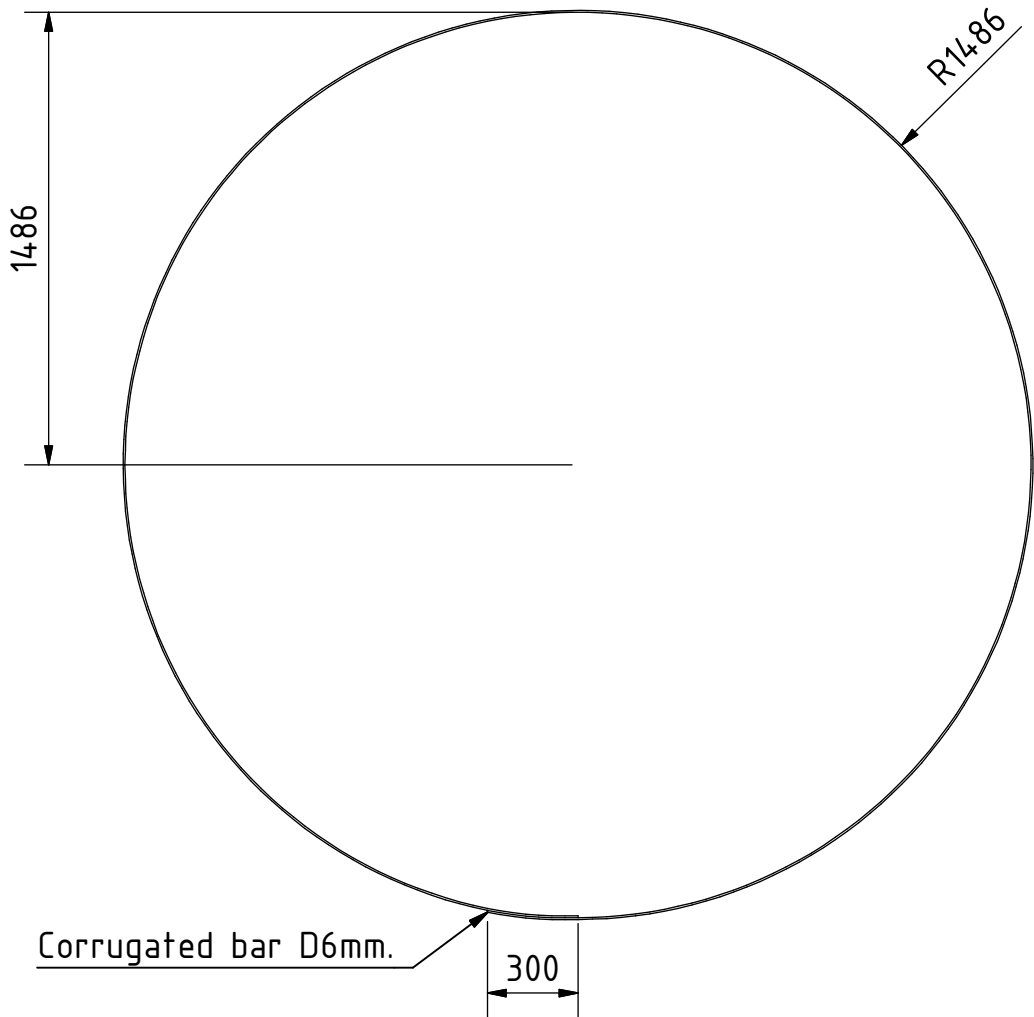
Note: All units in mm.

PROJECT	CREATED BY	APPROVED BY	DATE	VERSION
Ferrocement Tank - 3500 gallons	J. Zeron	A. Morillo	02/09/2021	1.0
PART NAME	FILE NAME			POS
Roof mesh wire	Roof mesh wire.ipt			3.2
DEVELOPED BY	REDESIGNED BY	DOC. TYPE	MATERIAL	QUANTITY
Chistian Action for Development in the Caribbean	 OHO e.V.	Part	Galvanized mesh wire	1
		LICENCE	SCALE	SHEET
		CC-BY-SA 4.0	1:30	15 /27

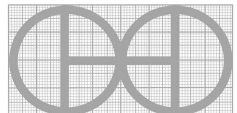


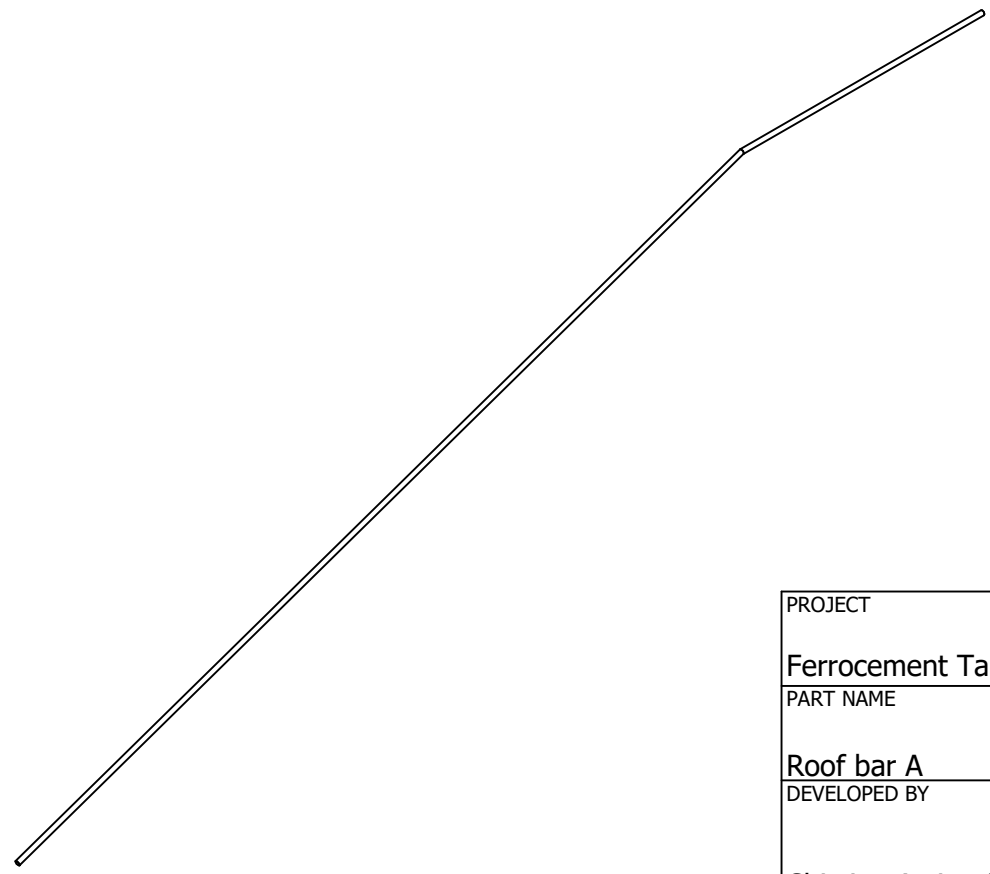
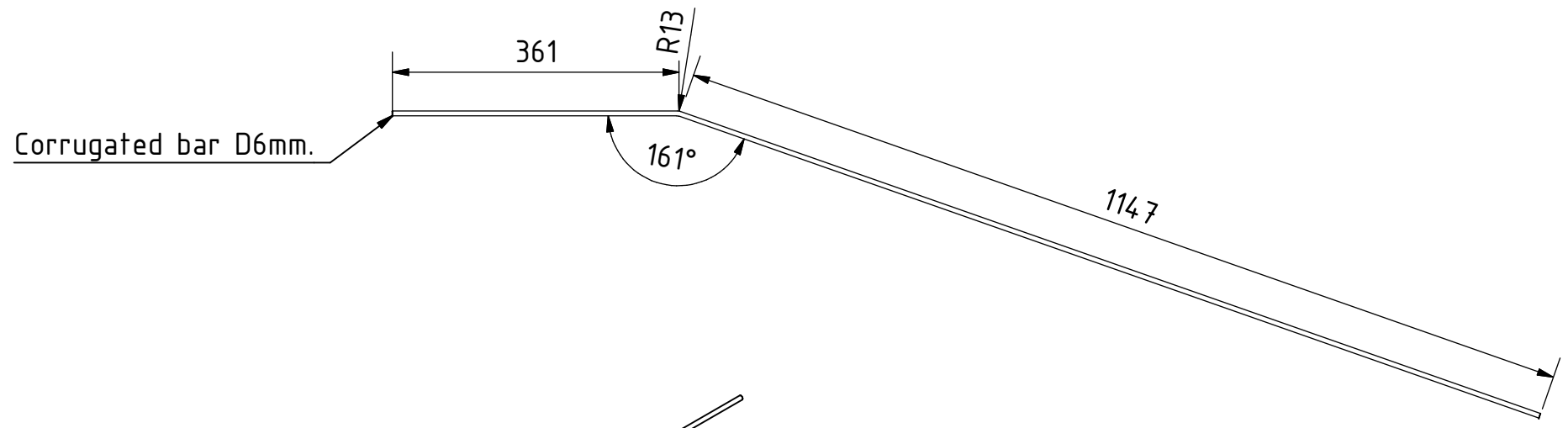
Note: All units in mm.

PROJECT	CREATED BY	APPROVED BY	DATE	VERSION
Ferrocement Tank - 3500 gallons	J. Zeron	A. Morillo	02/09/2021	1.0
PART NAME	FILE NAME			POS
Vertical bar	Vertical bar.ipt			3.3
DEVELOPED BY	REDESIGNED BY	DOC. TYPE	MATERIAL	QUANTITY
Chistian Action for Development in the Caribbean	 OHO e.V.	Part	Steel A36	6
		LICENCE	SCALE	SHEET
		CC-BY-SA 4.0	1:3	16 /27

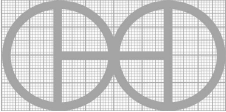


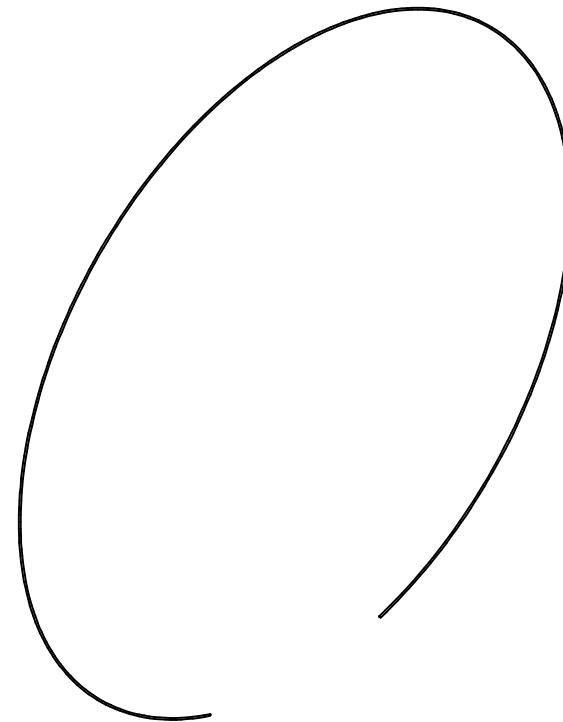
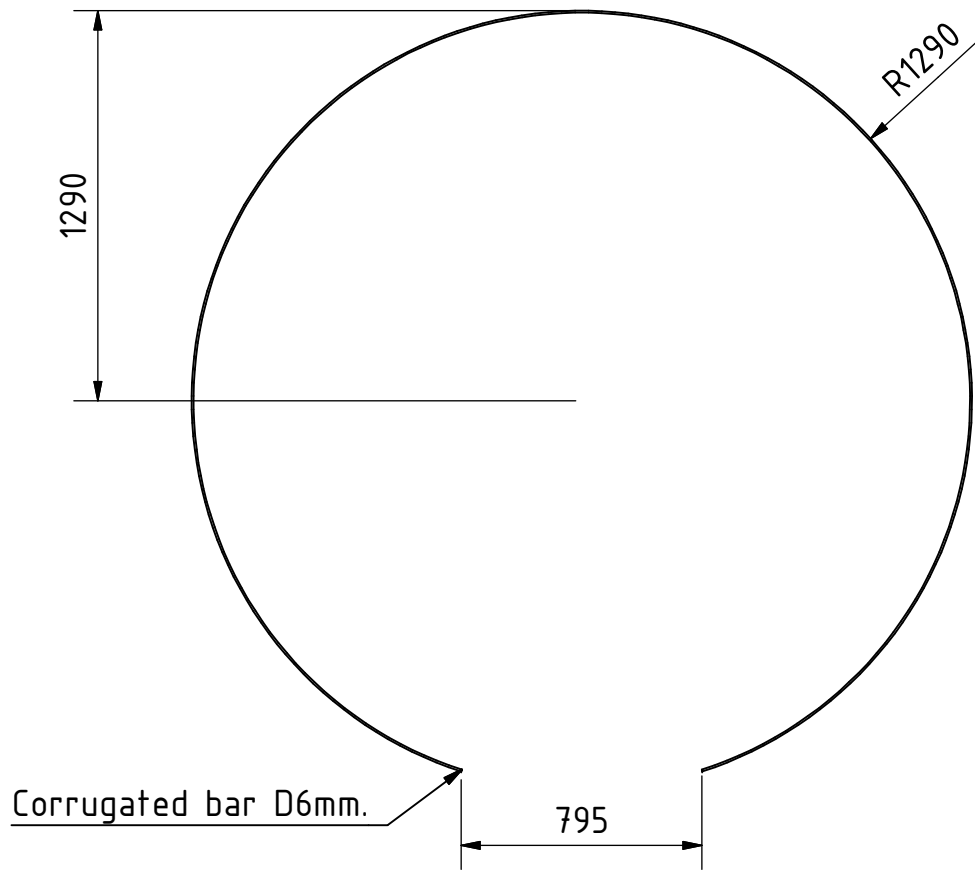
Note: All units in mm.

PROJECT	CREATED BY	APPROVED BY	DATE	VERSION
Ferrocement Tank - 3500 gallons	J. Zeron	A. Morillo	02/09/2021	1.0
PART NAME	FILE NAME			POS
Circular bar	Circular bar.ipt			3.4
DEVELOPED BY	REDESIGNED BY	DOC. TYPE	MATERIAL	QUANTITY
Chistian Action for Development in the Caribbean	 OHO e.V.	Part	Steel A36	38
		LICENCE	SCALE	SHEET
		CC-BY-SA 4.0	1:25	17 /27

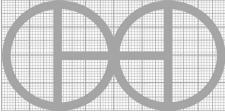


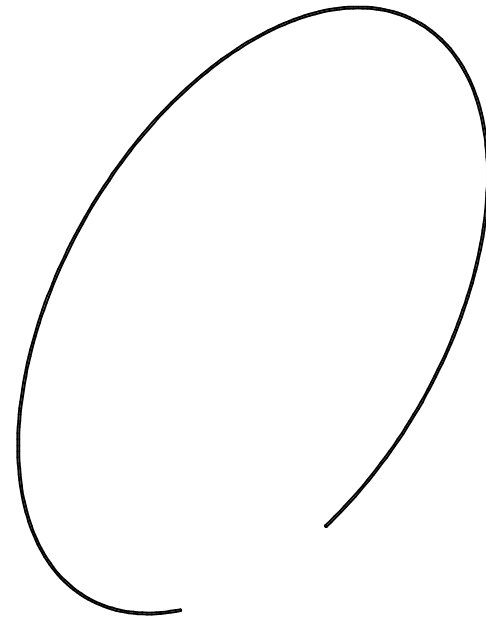
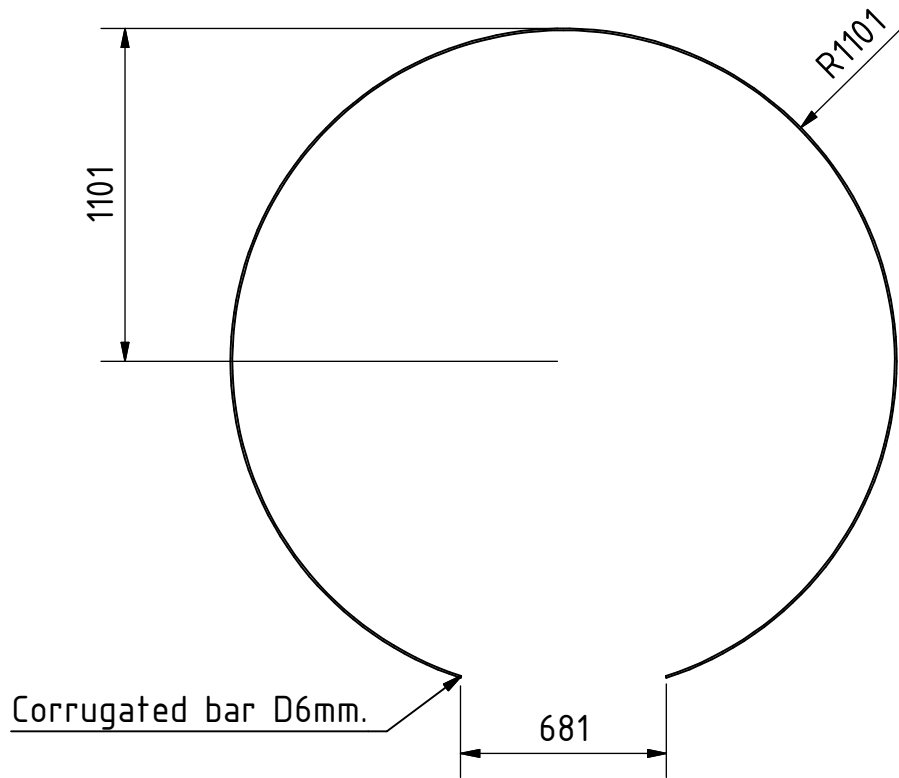
Note: All units in mm.

PROJECT	CREATED BY	APPROVED BY	DATE	VERSION
Ferrocement Tank - 3500 gallons	J. Zeron	A. Morillo	02/09/2021	1.0
PART NAME	FILE NAME			POS
Roof bar A	Roof bar A.ipt			3.5
DEVELOPED BY	REDESIGNED BY	DOC. TYPE	MATERIAL	QUANTITY
Chistian Action for Development in the Caribbean	 OHO e.V.	Part	Steel A36	21
		LICENCE	SCALE	SHEET
		CC-BY-SA 4.0	1:8	18 /27

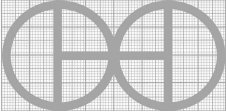


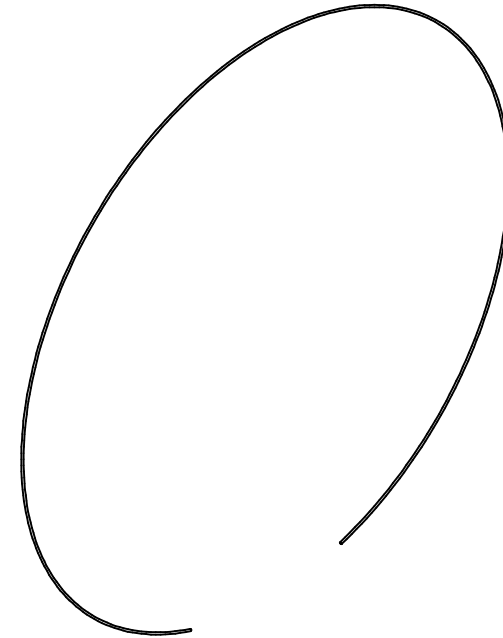
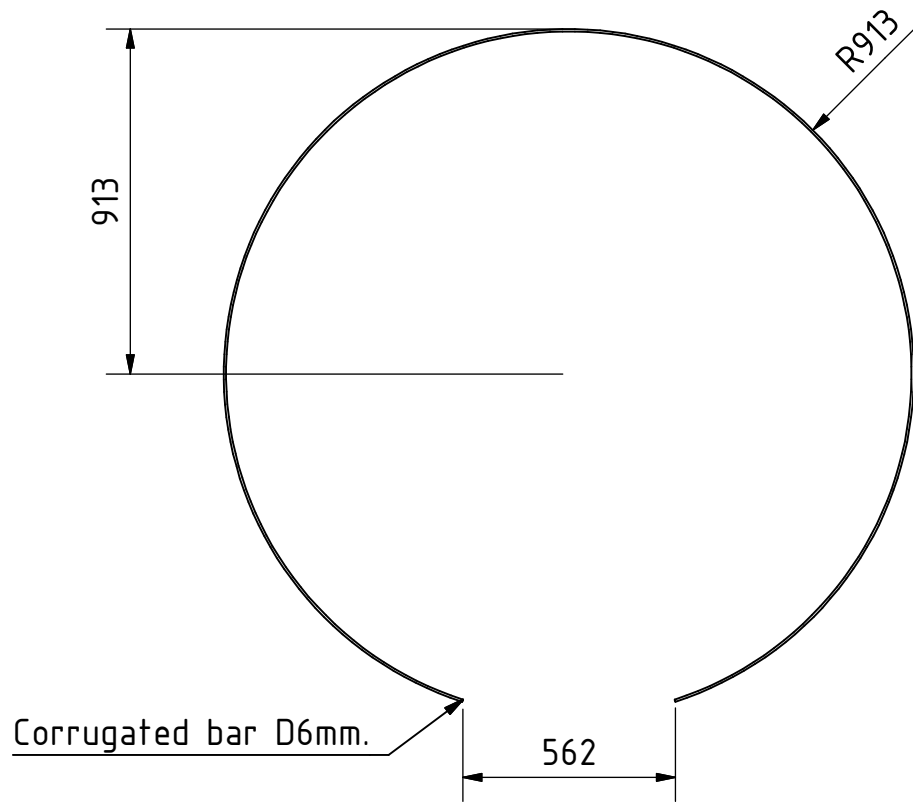
Note: All units in mm.

PROJECT	CREATED BY	APPROVED BY	DATE	VERSION
Ferrocement Tank - 3500 gallons	J. Zeron	A. Morillo	02/09/2021	1.0
PART NAME	FILE NAME			POS
Roof bar B	Roof bar B.ipt			3.6
DEVELOPED BY	REDESIGNED BY	DOC. TYPE	MATERIAL	QUANTITY
Chistian Action for Development in the Caribbean	 OHO e.V.	Part	Steel A36	1
		LICENCE	SCALE	SHEET
		CC-BY-SA 4.0	1.25	19 /27

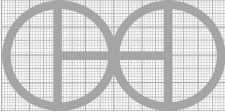


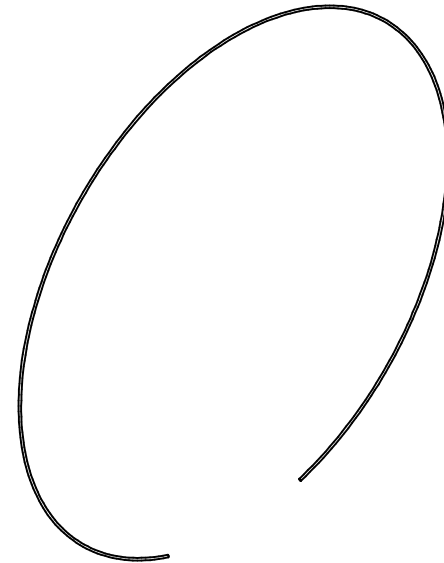
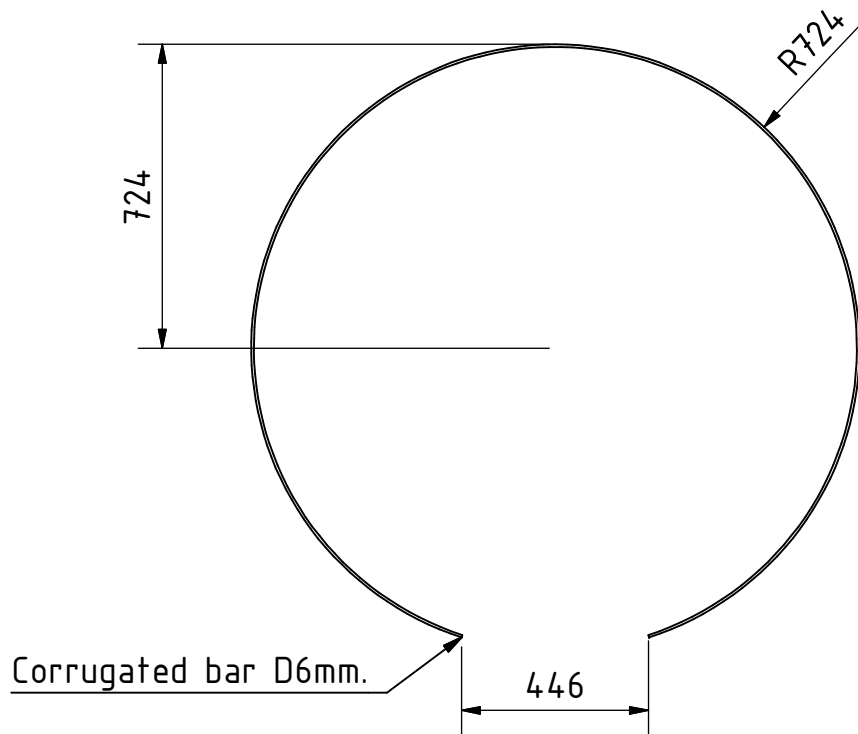
Note: All units in mm.

PROJECT	CREATED BY	APPROVED BY	DATE	VERSION
Ferrocement Tank - 3500 gallons	J. Zeron	A. Morillo	02/09/2021	1.0
PART NAME	FILE NAME			POS
Roof bar C	Roof bar C.ipt			3.7
DEVELOPED BY	REDESIGNED BY	DOC. TYPE	MATERIAL	QUANTITY
Chistian Action for Development in the Caribbean	 OHO e.V.	Part	Steel A36	1
		LICENCE	SCALE	SHEET
		CC-BY-SA 4.0	1:25	20 /27

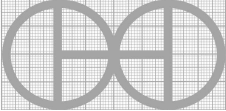


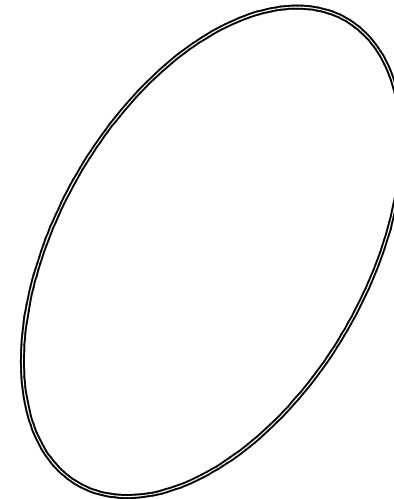
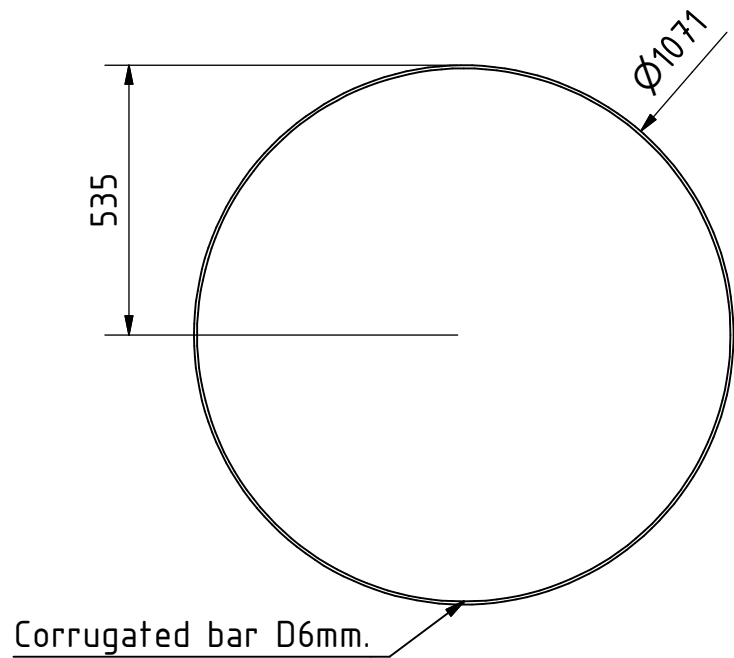
Note: All units in mm.

PROJECT	CREATED BY	APPROVED BY	DATE	VERSION
Ferrocement Tank - 3500 gallons	J. Zeron	A. Morillo	02/09/2021	1.0
PART NAME	FILE NAME			POS
Roof bar D	Roof bar D.ipt			3.8
DEVELOPED BY	REDESIGNED BY	DOC. TYPE	MATERIAL	QUANTITY
Chistian Action for Development in the Caribbean	 OHO e.V.	Part	Steel A36	1
		LICENCE	SCALE	SHEET
		CC-BY-SA 4.0	1:20	21 /27

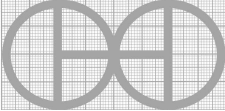


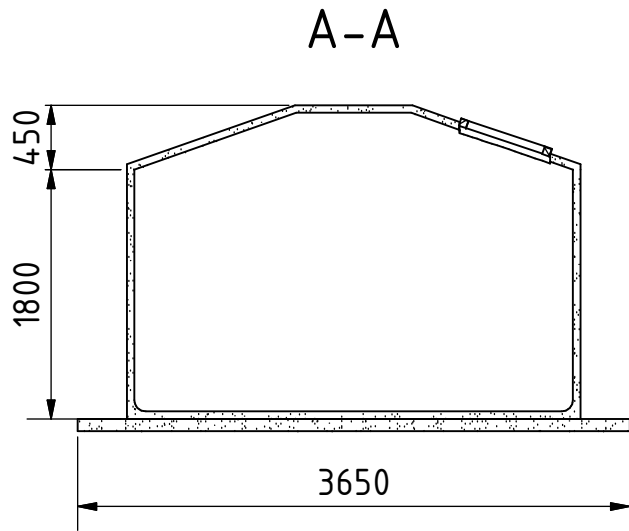
Note: All units in mm.

PROJECT	CREATED BY	APPROVED BY	DATE	VERSION
Ferrocement Tank - 3500 gallons	J. Zeron	A. Morillo	02/09/2021	1.0
PART NAME	FILE NAME			POS
Roof bar E	Roof bar E.ipt			3.9
DEVELOPED BY	REDESIGNED BY	DOC. TYPE	MATERIAL	QUANTITY
Chistian Action for Development in the Caribbean	 OHO e.V.	Part	Steel A36	1
		LICENCE	SCALE	SHEET
		CC-BY-SA 4.0	1:18	22 /27

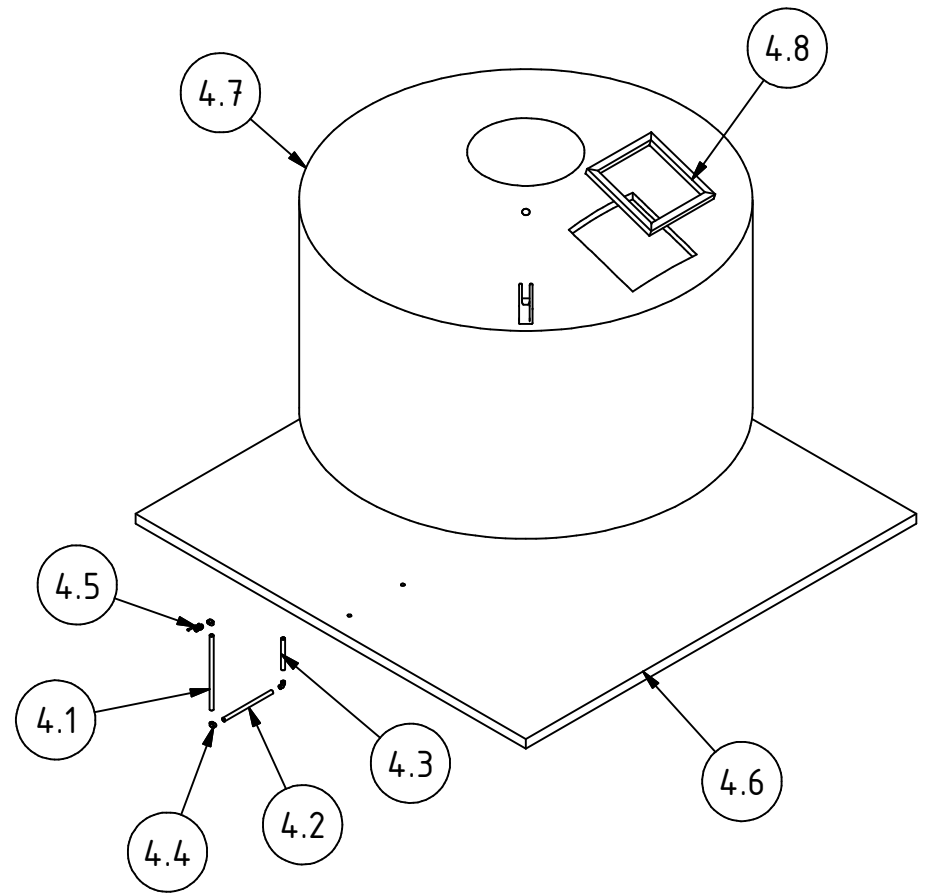
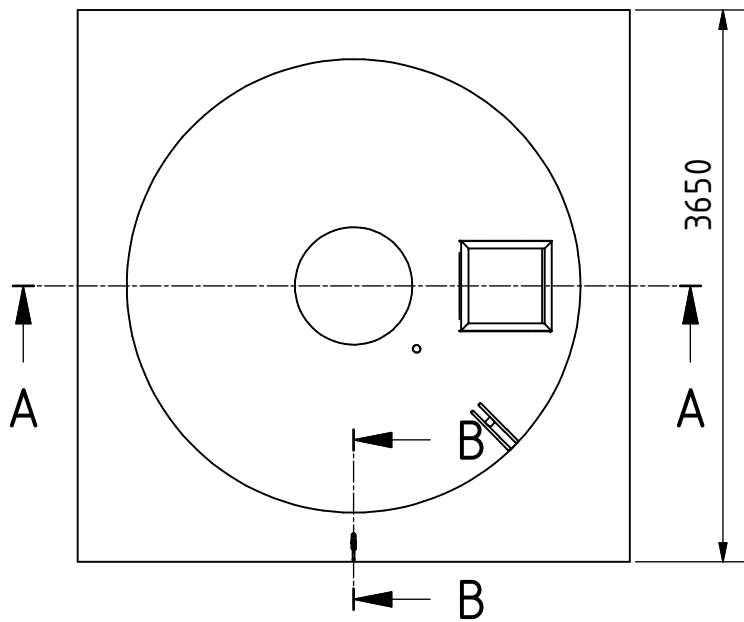
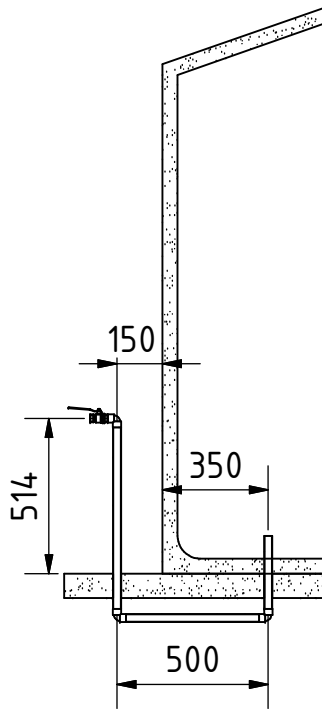


Note: All units in mm.

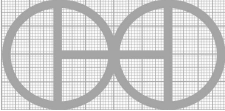
PROJECT	CREATED BY	APPROVED BY	DATE	VERSION
Ferrocement Tank - 3500 gallons	J. Zeron	A. Morillo	02/09/2021	1.0
PART NAME	FILE NAME			POS
Roof bar F	Roof bar F.ipt			3:10
DEVELOPED BY	REDESIGNED BY	DOC. TYPE	MATERIAL	QUANTITY
Chistian Action for Development in the Caribbean	 OHO e.V.	Part	Steel A36	1
		LICENCE	SCALE	SHEET
		CC-BY-SA 4.0	1:15	23 /27

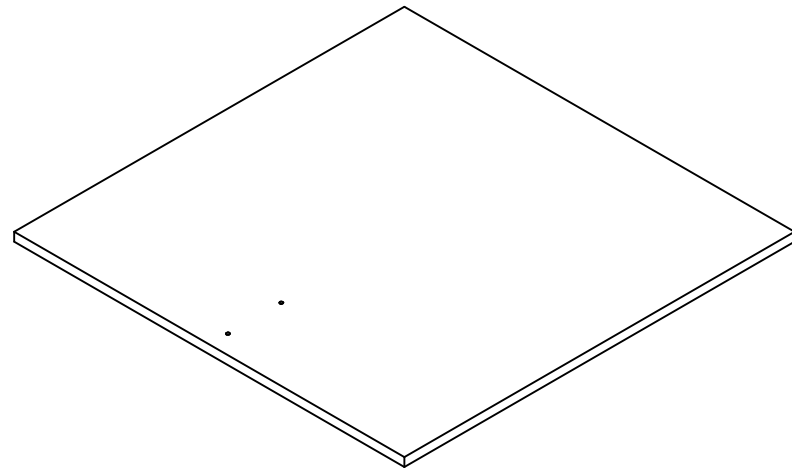
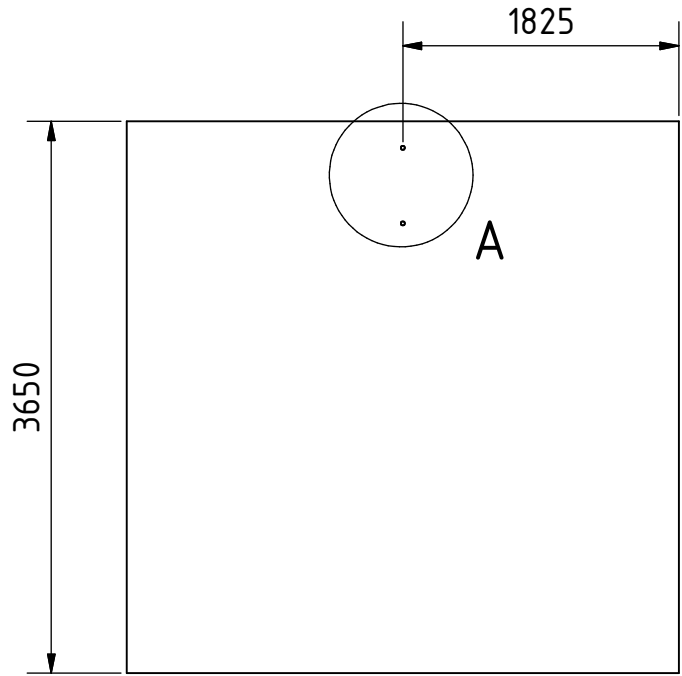


B-B (1 : 25)

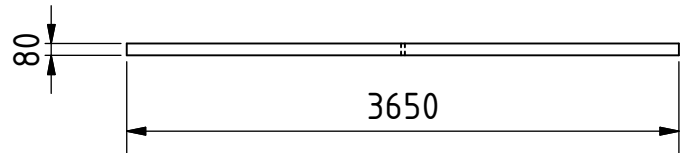
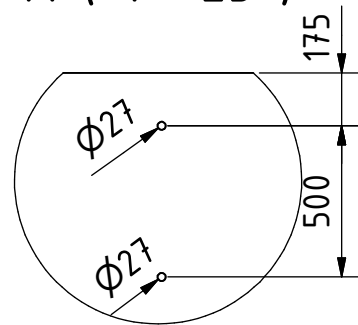


Note: All units in mm.

PROJECT	CREATED BY	APPROVED BY	DATE	VERSION
Ferrocement Tank - 3500 gallons	J. Zeron	A. Morillo	02/09/2021	1.0
PART NAME	FILE NAME			POS
Tank	Tank.ipn			4.0
DEVELOPED BY	REDESIGNED BY	DOC. TYPE	MATERIAL	QUANTITY
Chistian Action for Development in the Caribbean	 OHO e.V.	Assembly		1
		LICENCE	SCALE	SHEET
		CC-BY-SA 4.0	1:50	24 /27

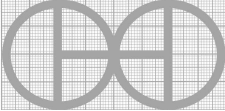


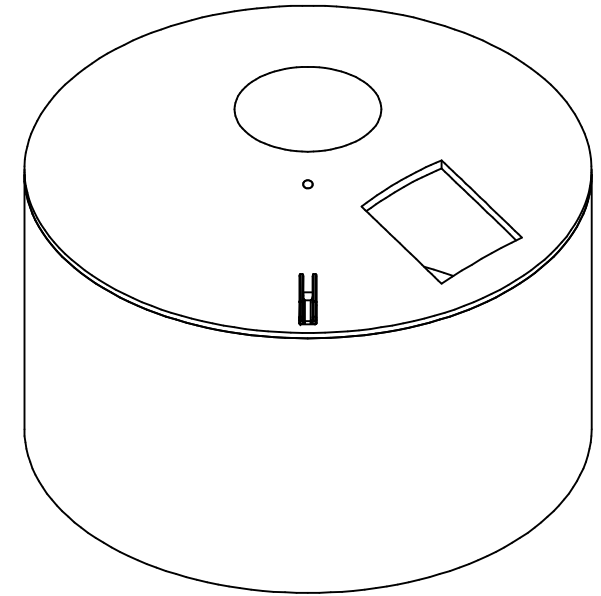
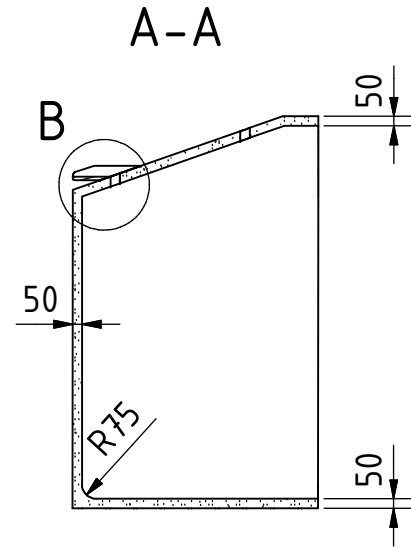
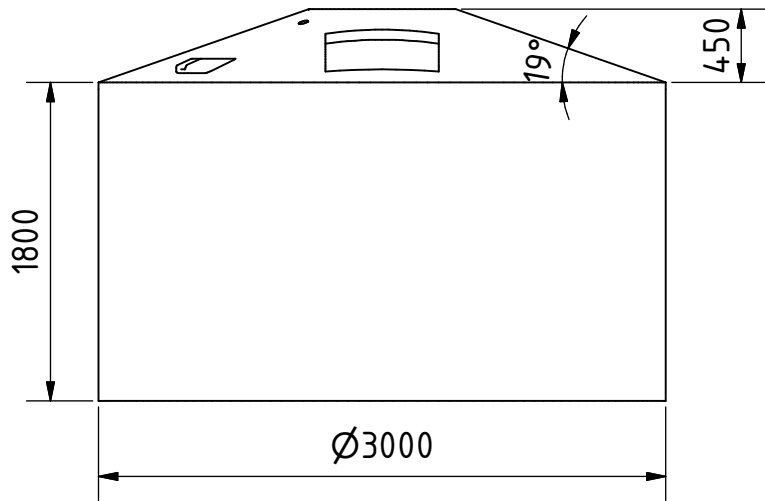
A (1 : 25)



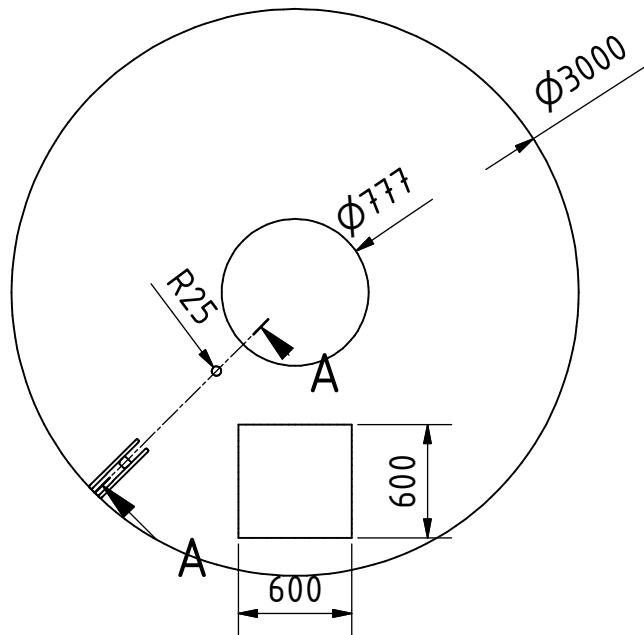
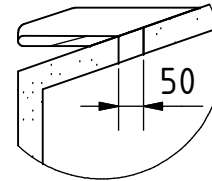
Concrete proportions:
 - 1 part cement.
 - 2 part sand.
 - 4 part gravel.

Note: All units in mm.

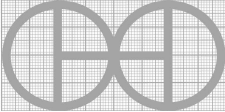
PROJECT	CREATED BY	APPROVED BY	DATE	VERSION
Ferrocement Tank - 3500 gallons	J. Zeron	A. Morillo	02/09/2021	1.0
PART NAME	FILE NAME			POS
Slab	Slab.ipt			4.6
DEVELOPED BY	REDESIGNED BY	DOC. TYPE	MATERIAL	QUANTITY
Chistian Action for Development in the Caribbean	 OHO e.V.	Part	Reinforced concrete	1
		LICENCE	SCALE	SHEET
		CC-BY-SA 4.0	1:50	25 /27

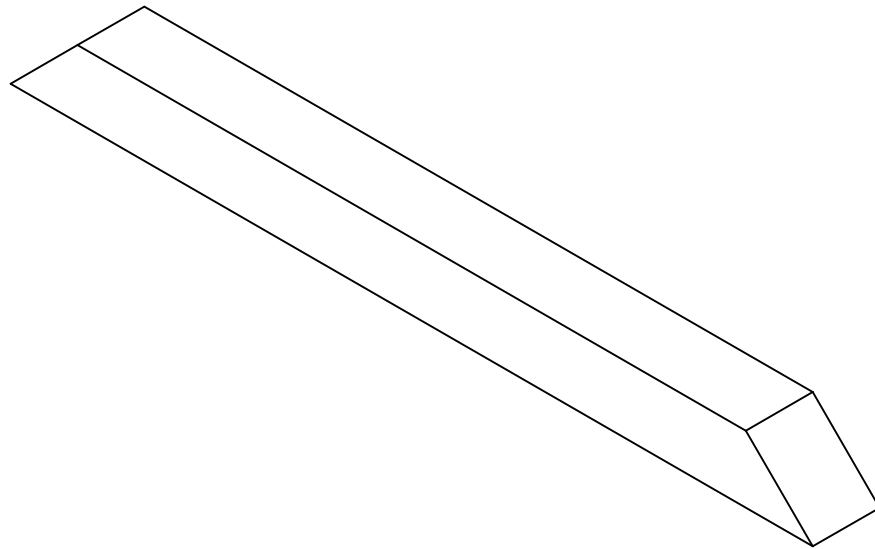
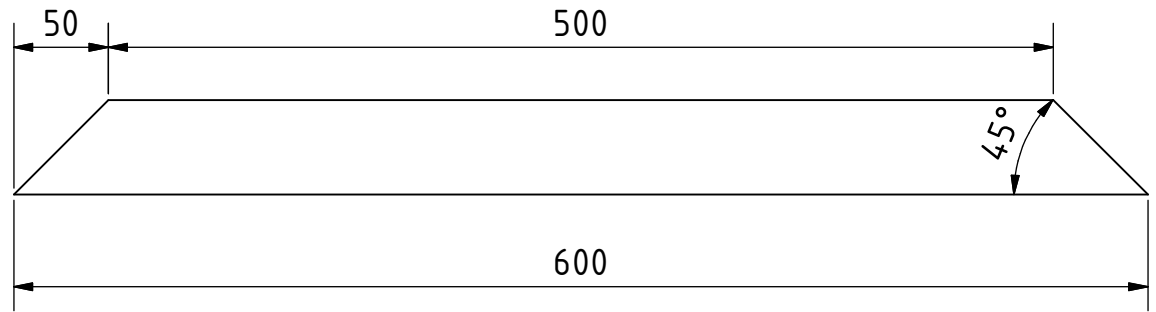
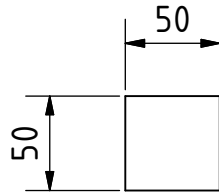


B (1 : 15)

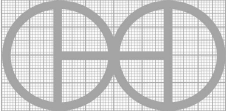


Concrete proportions:
 Layer 1
 - 1 part cement.
 - 3 part sand.
 Layer 2
 - Plaster.
 Note: All units in mm.

PROJECT	CREATED BY	APPROVED BY	DATE	VERSION
Ferrocement Tank - 3500 gallons	J. Zeron	A. Morillo	02/09/2021	1.0
PART NAME	FILE NAME			POS
Tank ferrocement	Tank ferrocement.ipt			4.7
DEVELOPED BY	REDESIGNED BY	DOC. TYPE	MATERIAL	QUANTITY
Chistian Action for Development in the Caribbean	 OHO e.V.	Part	Ferrocement	1
		LICENCE	SCALE	SHEET
		CC-BY-SA 4.0	1:40	26 /27



Note: All units in mm.

PROJECT	CREATED BY	APPROVED BY	DATE	VERSION
Ferrocement Tank - 3500 gallons	J. Zeron	A. Morillo	02/09/2021	1.0
PART NAME	FILE NAME			POS
Frame hatch	Frame hatch.ipt			4.8
DEVELOPED BY	REDESIGNED BY	DOC. TYPE	MATERIAL	QUANTITY
Chistian Action for Development in the Caribbean	 OHO e.V.	Part	Hardwood	4
		LICENCE	SCALE	SHEET
		CC-BY-SA 4.0	1:4	27 /27