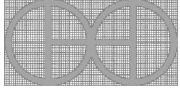
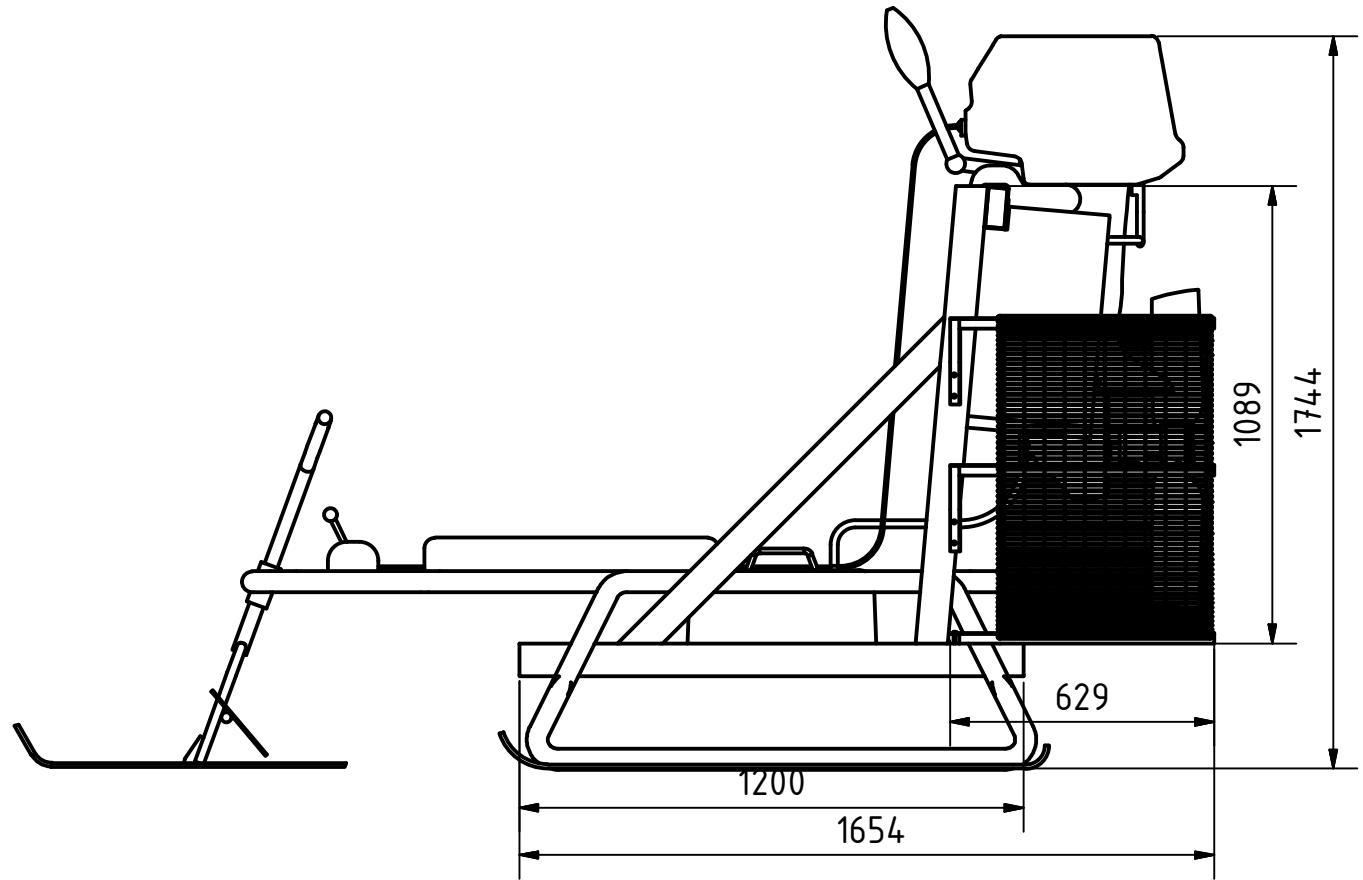
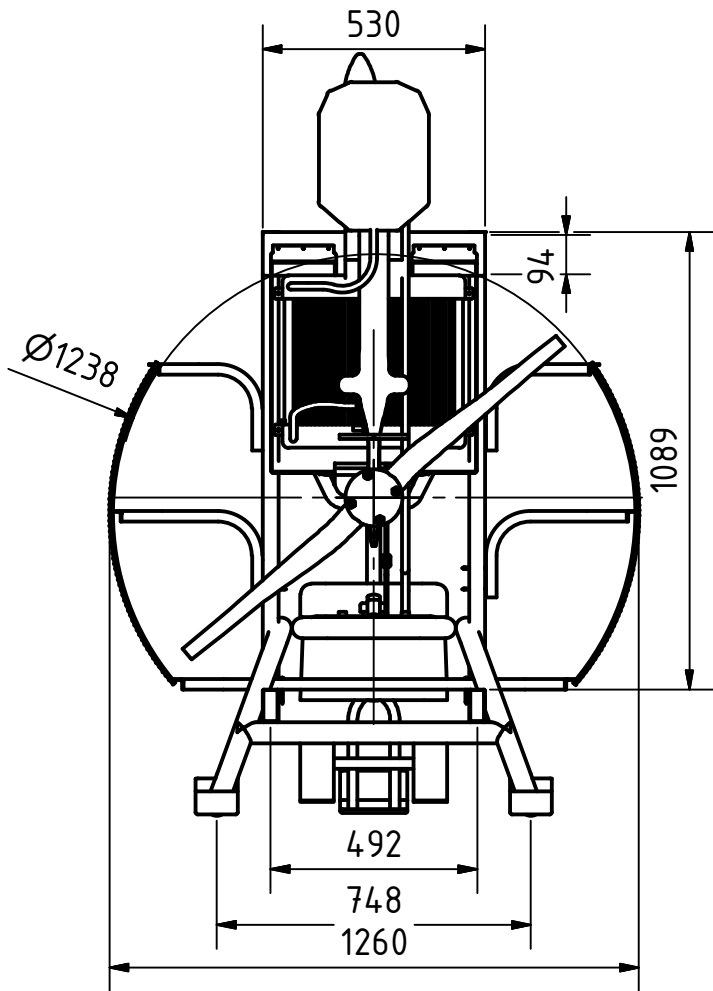


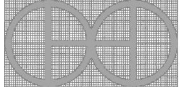
Note: All units in mm.

PROJECT	CREATED BY	APPROVED BY	DATE	VERSION
Snow Sled with 10 hp outboard motor	D. Mosquera	A. Morillo	10/08/2021	1.0
PART NAME	FILE NAME	POS		
3D views	oho_sso_A1-snow-sled-with-10-hp-outboard-motor.iam			A1
PUBLISHED BY	DOC. TYPE	MATERIAL	QUANTITY	
 <b>OPEN HARDWARE OBSERVATORY</b> Free Blueprints for Sustainable Development	Assembly		1	
	LICENCE	SCALE	SHEET	
OHO e.V.	CC-BY-SA 4.0	1:12	1 /47	

Based on drawings of Harold W. Grube,



Note: All units in mm.

PROJECT Snow Sled with 10 hp outboard motor	CREATED BY D. Mosquera	APPROVED BY A. Morillo	DATE 10/08/2021	VERSION 1.0
PART NAME	FILE NAME oho_sso_A1-snow-sled-with-10-hp-outboard-motor.iam			POS A1
3D views				
PUBLISHED BY	DOC. TYPE Assembly	MATERIAL	QUANTITY 1	
 <b>OPEN HARDWARE OBSERVATORY</b> Free Blueprints for Sustainable Development	LICENCE CC-BY-SA 4.0	SCALE 1:20	SHEET 2 / 47	
	OHO e.V.			