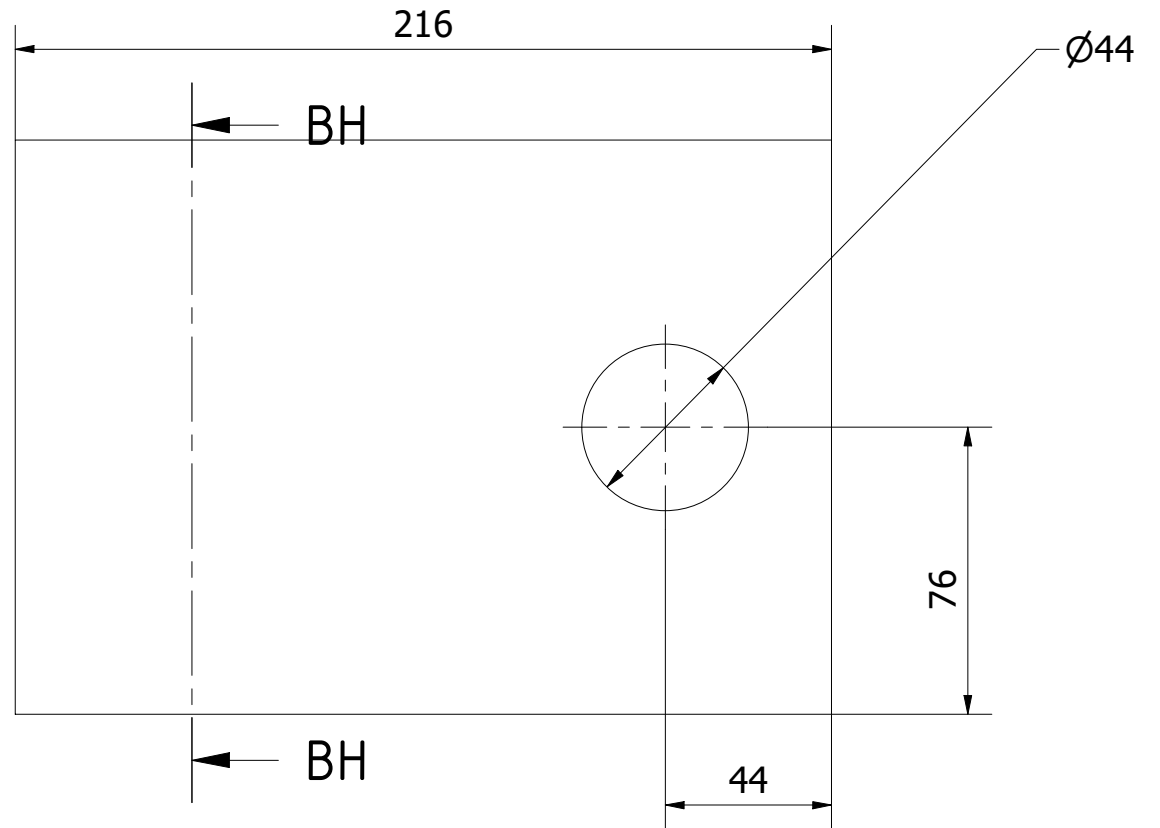
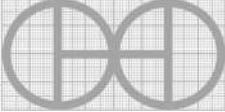


BH-BH ( 1 : 2 )



Note: All units in mm.

PROJECT Brick Making Machine CETA-RAM - for soil bricks		CREATED BY J. Rosciano	APPROVED BY A. Morillo	DATE 28/07/2021	VERSION 1.1
PART NAME Piston caps		FILE NAME piston caps.ipt			POS 3.2
DEVELOPED BY Centro de Experimentación en Tecnología Apropriada	REDESIGNED BY  OHO e.V.	DOC. TYPE Part	MATERIAL ASTM A36	QUANTITY 2	
		LICENCE CC-BY-SA 4.0	SCALE 1/2	SHEET 27 /53	