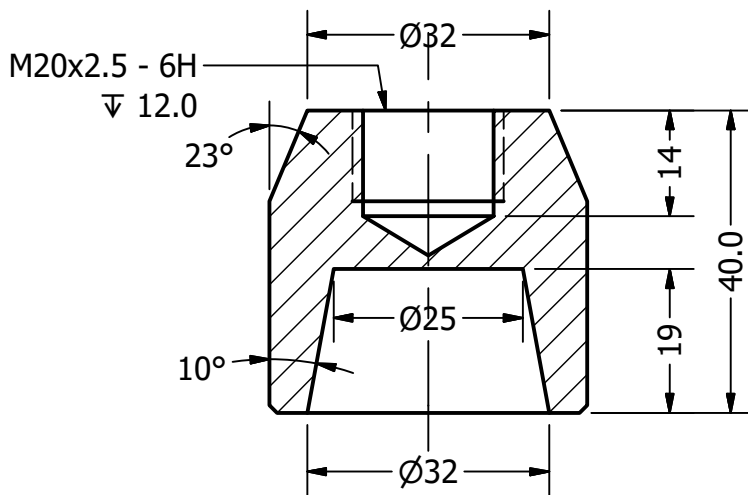
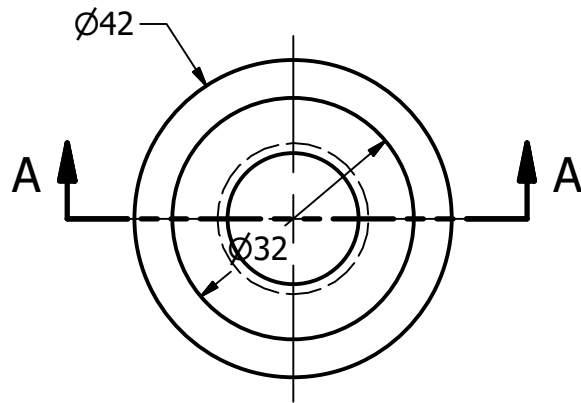


4

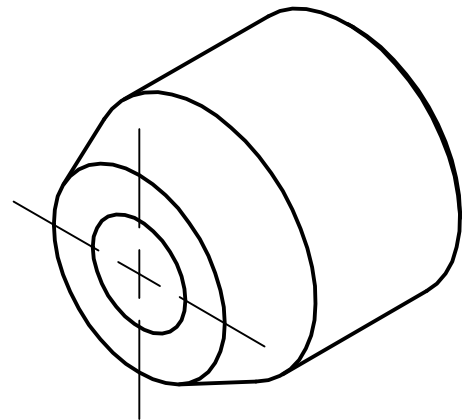
3


2

1



SECTION A-A



<b>Project</b> Crown cap machine		Created by <b>D. Mosquera</b>		Approved by <b>D. Jeager</b>	
<b>Part Name</b> Cap-holder		Part Code 2.3		Document Type part	
Redesigned by 		Original drawing from <b>Practical ACTION</b>		Material Steel ASTM A36	
License CERN-OHL		File Name oseg_ccm_2.3_cap-holder.ipt		Version 1.0	
		Scale 1:1		Quantity 1	
				Sheet 16	
				Date 16.11.20	

4

3

2

1