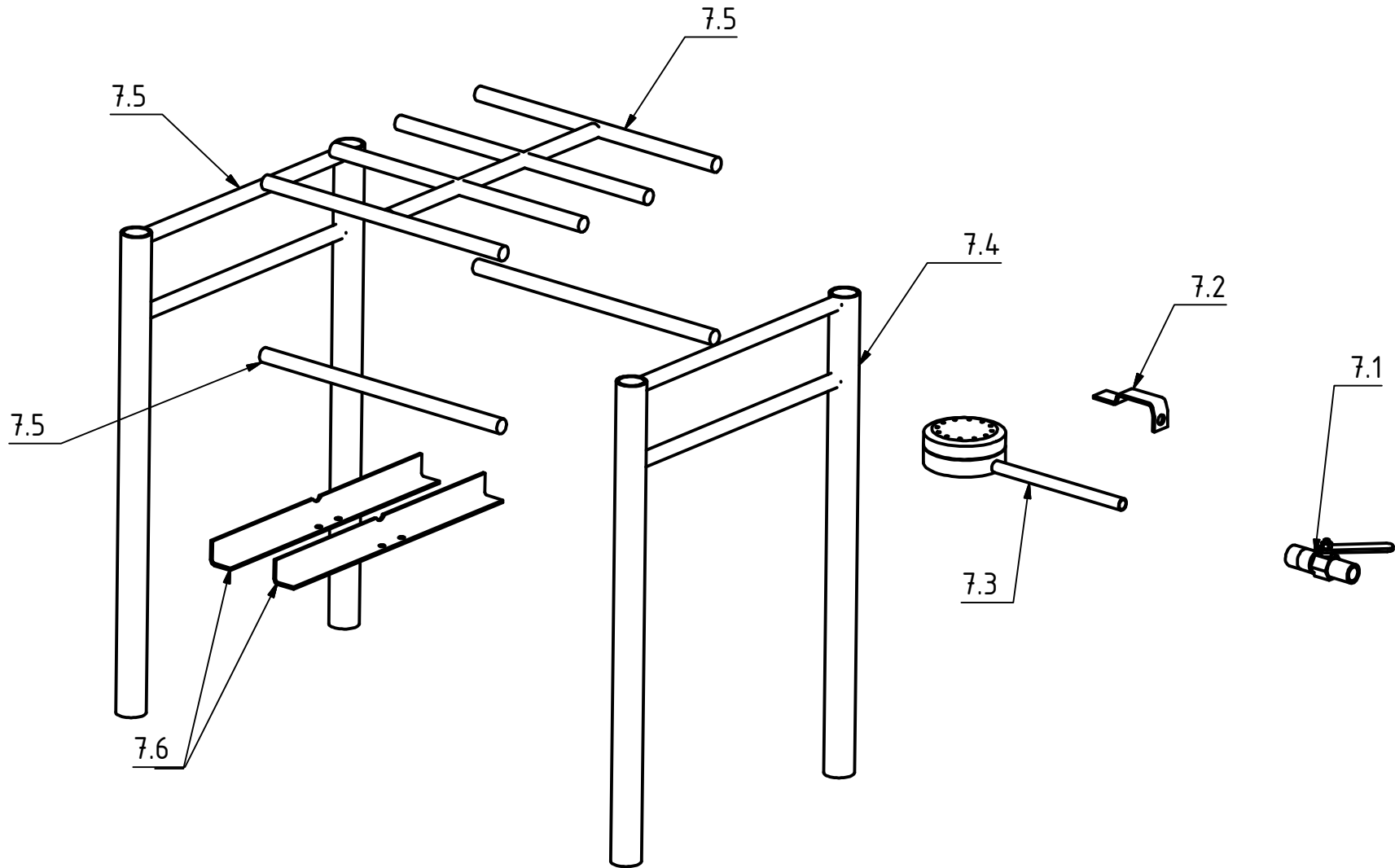



PROJECT	CREATED BY	APPROVED BY	DATE	VERSION
Floating Dome Biodigester	D.MOSQUERA	D. JAEGER	02-06-21	1.0
PART NAME	FILE NAME			PART CODE
Gas burner	aid_fdb_gas-burner.iam			7.0
DEVELOPED BY	REDESIGNED BY	DOC. TYPE	MATERIAL	QUANTITY
	 <small>OPEN SOURCE ECOLOGY GERMANY</small>	ASSEMBLY		1
Appropriate Infrastructure Development Group		OHO e.V.	LICENCE	SCALE
		CC-BY-SA 4.0	1:8	34 /40



PROJECT		CREATED BY		APPROVED BY		DATE		VERSION	
Floating Dome Biodigestor		D.MOSQUERA		D. JAEGER		02-06-21		1.0	
PART NAME			FILE NAME					PART CODE	
Gas burner			aid_fdb_gas-burner.ipn					7.0	
DEVELOPED BY		REDESIGNED BY		DOC. TYPE		MATERIAL		QUANTITY	
		 OPEN SOURCE ECOLOGY GERMANY		ASSEMBLY				1	
Appropriate Infrastructure Development Group		OHO e.V.		LICENCE		SCALE		SHEET	
				CC-BY-SA 4.0		1:8		35 /40	