
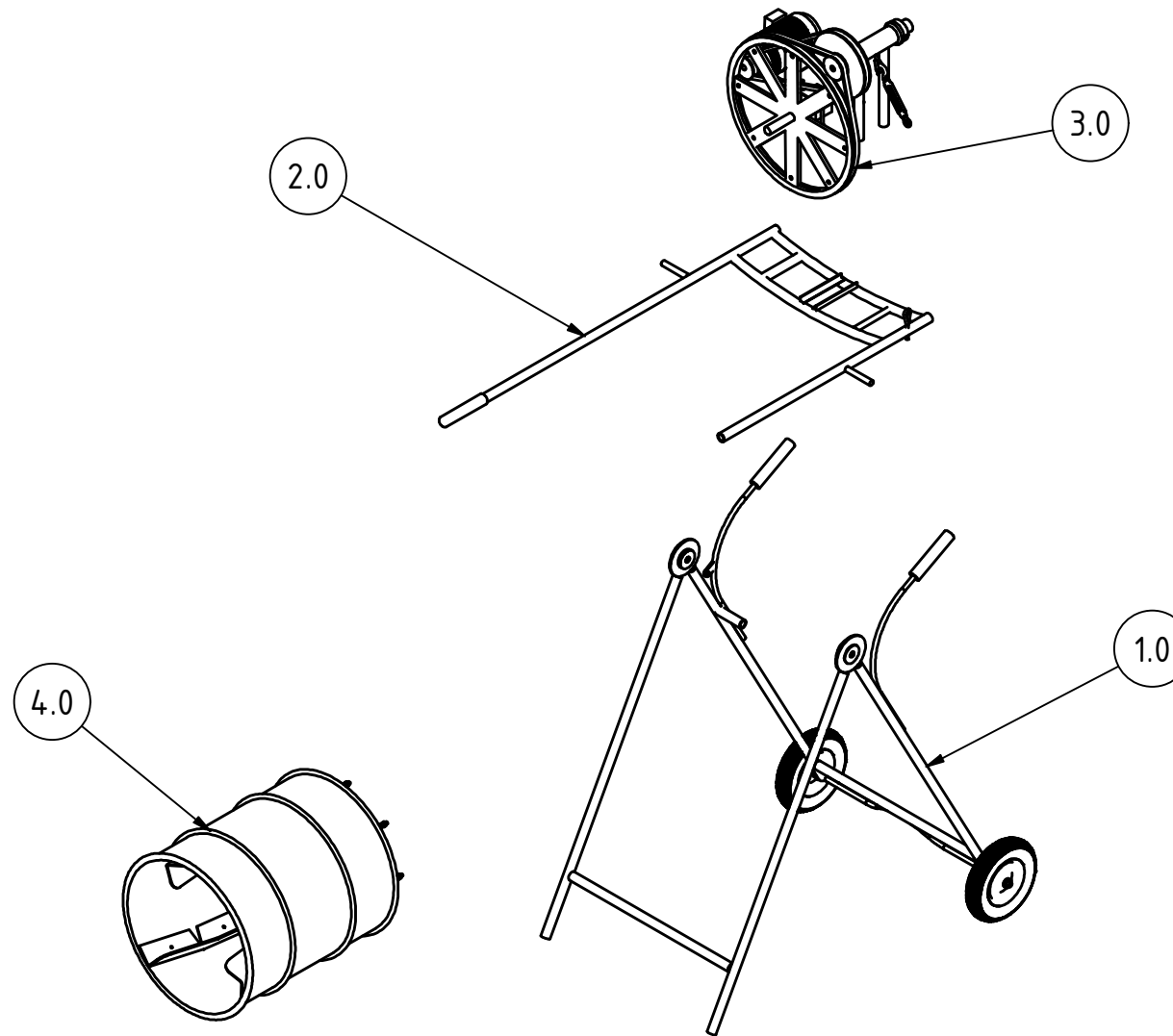


Note: All units in mm.

PROJECT Homemade Concrete Mixer - 250 Watts		CREATED BY E. Ceballos		APPROVED BY A. Morillo	DATE 15/08/2021	VERSION 1.0
PART NAME 3d views		FILE NAME homemade concrete mixer.iam				POS A1
DEVELOPED BY Popular Science		REDESIGNED BY OHO e.V.		DOC. TYPE Assembly	MATERIAL	QUANTITY 1
				LICENCE CC-BY-SA 4.0	SCALE 1:18	SHEET 1 / 19

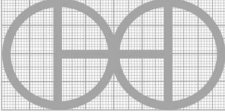


Note: all units in mm

PROJECT Homemade Concrete Mixer - 250 Watts		CREATED BY E. Ceballos	APPROVED BY A. Morillo	DATE 15/08/2021	VERSION 1.0
PART NAME Exploded 3d views		FILE NAME homemade concrete mixer.ipn			POS A2
DEVELOPED BY Popular Science	REDESIGNED BY OHO e.V.	DOC. TYPE Assembly	MATERIAL	QUANTITY 1	
		LICENCE CC-BY-SA 4.0	SCALE 1:16	SHEET 2 / 19	

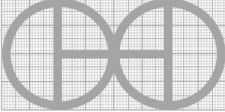
Parts list

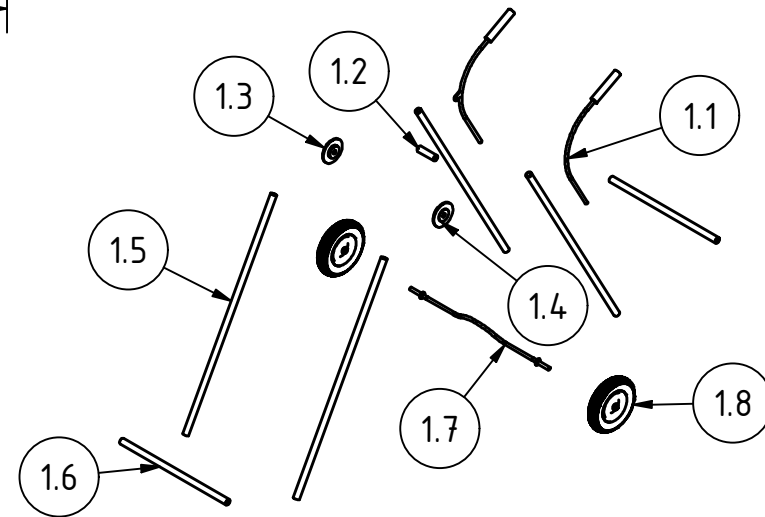
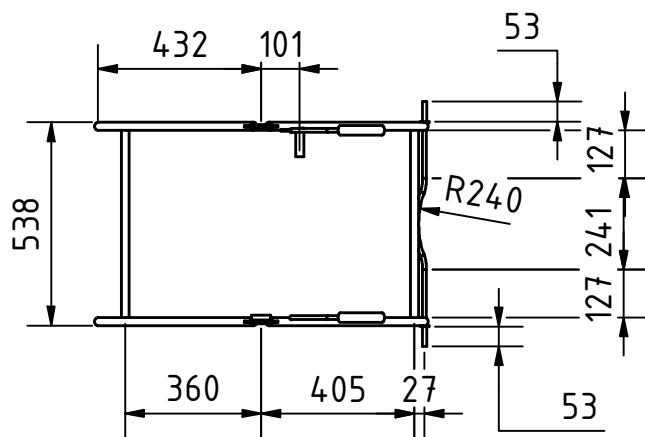
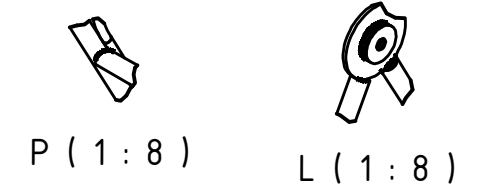
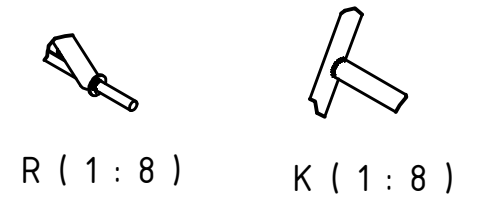
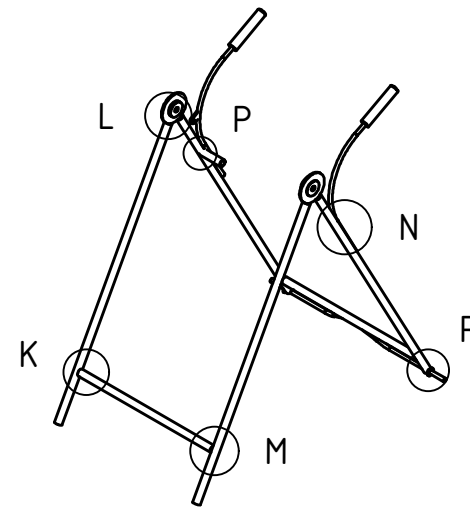
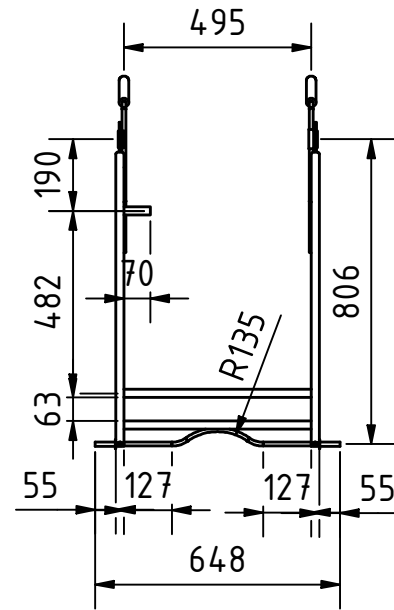
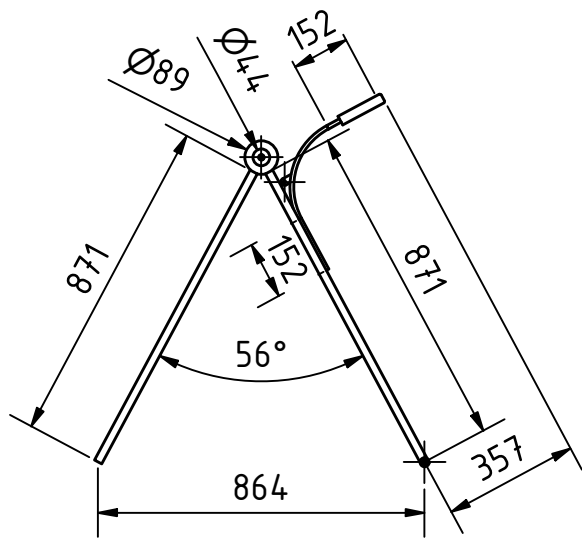
POS	QTY	PART NAME	FILE NAME	PART TYPE	SPECIFICATIONS	SHEET
A1	1	3d views	homemade concrete mixer.iam			1
A2	1	Exploded 3d view	homemade concrete mixer.ipn			2
B1		Parts list	part list.csv			3
B2		Parts list	part list.csv			4
1.0	1	Lower frame assembly	Lower frame assembly.aim	Production		5
1.1	2	Handle	handle.ipt	Production	Steel C45	6
1.2	1	Short pipe 1/2"	short pipe 1/2".ipt	Standard	Steel C45	
1.3	2	washer 1 1/2" (ANSI B18.22.1)	washer 1 1/2".ipt	Standard	Steel C45	
1.4	6	Trunion support 1/2"	trunion washer 1/2".ipt	Production	Steel C45	7
1.5	4	Large pipe 1/2"	large pipe 1/2".ipt	Standard	Steel C45, L = 871 mm	
1.6	2	Medium pipe 1/2"	medium pipe 1/2".ipt	Standard	Steel C45, L = 495 mm	
1.7	1	Bend pipe 3/8"	blend pipe 3/8".ipt	Production	Steel C45	8
1.8	2	Wheel 8"	wheel 8".ipt	Buy	Rubber and steel	
2.0	1	Upper frame assembly	upper frame assembly	Production		9
2.1	1	Bend pipe 1/2"	bend pipe 1/2".ipt	Production	Steel C45	10
2.2	2	Frame DIN 59370 12x2	frame DIN 59370 12x2.ipt	Standard	Steel C45, L= 145 mm	
2.3	1	Upper pipe 1/2"	upper pipe 1/2".ipt	Standard	Steel C45, L =648 mm	
2.4	1	Upper large pipe 1/2"	upper large pipe 1/2".ipt	Standard	Steel C45, L= 1040 mm	
2.5	2	Upper short pipe 1/2"	upper short pipe 1/2".ipt	Standard	Steel C45, L = 76 mm	
2.6	2	Upper short pipe 1/2" B	upper short pipe 1/2" B.ipt	Standard	Steel C45, L = 145 mm	
2.7	1	Eyelet bolt GB 799 M6 x 80	eyelet bolt.ipt	Standard	Steel C45 (eyelet bolt GB 799 M6 x 80)	
3.0	1	Transmission assembly	transmission assembly	Production		11
3.1	1	Principal shaft 3/4"	principal shaft 3/4".ipt	Production	Steel C45	12
3.2	1	Secondary shaft 1/2"	secondary shaft 1/2".ipt	Production	Steel C45	13
3.3	4	Wood block	wood block.ipt	Production	Kiln dried wood	14
3.4	2	Strap	strap.ipt	Production	Steel C45	15
3.5	1	V-Pulley 14" drum	v-pulley 14" drum.ipt	Buy	Steel C45, (ANSI/RMA IP-20 A55)	16

PROJECT Homemade Concrete Mixer - 250 Watts		CREATED BY E. Ceballos		APPROVED BY A. Morillo		DATE 15/08/2021		VERSION 1.0	
PART NAME Parts list				FILE NAME part list.csv				POS B1	
DEVELOPED BY Popular Science			REDESIGNED BY  OHO e.V.			DOC. TYPE Parts list		MATERIAL QUANTITY	
						LICENCE CC-BY-SA 4.0		SCALE SHEET 3 /19	

Parts list

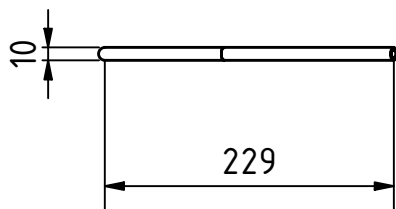
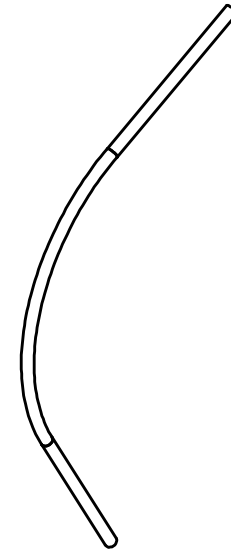
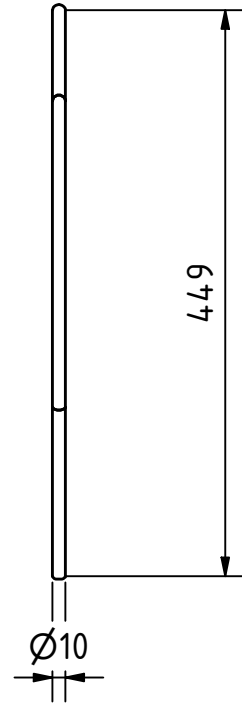
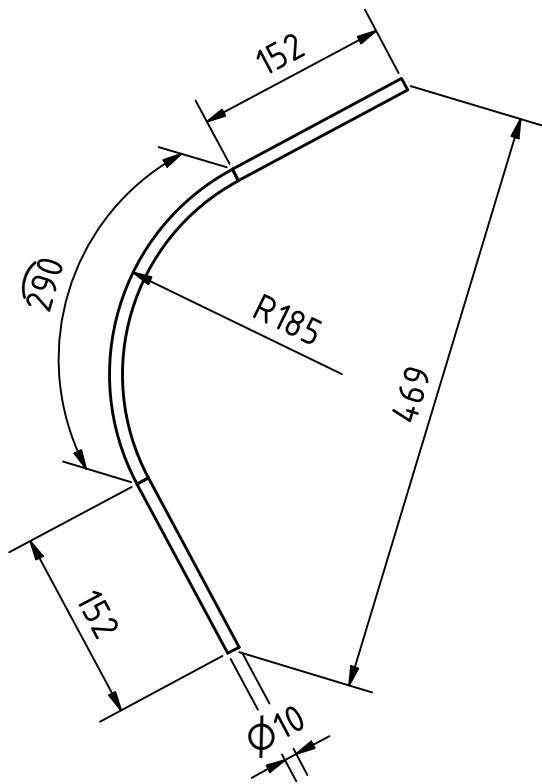
POS	QTY	PART NAME	FILE NAME	PART TYPE	SPECIFICATIONS	SHEET
3.6	1	Pipe 1 1/4" (ASME B36.10M)	pipe 1 1/4".ipt	Standard	Steel C45	
3.7	1	Grooved pulley 6"	grooved pulley 6".ipt	Buy	Steel C45	
3.8	1	Electrical motor 250 watts	electrical motor 250 watts.ipt	Buy		
3.9	1	V-belt A46	V-belt A46.ipt	Buy	V-belt ANSI/RMA IP-20 A46	
3.10	1	V-belt A55	V-belt A55.ipt	Buy	V-belt ANSI/RMA IP-20 A55	
3.11	2	Grooved pulley 2"	grooved pulley 2".ipt	Buy	Steel C45	
3.12	1	Turnbuckle	turnbuckle.ipt	Buy	Steel C45	
3.13	2	Eyelet bolt GB 799 M6 x 80	eyelet bolt.ipt	Buy	Steel C45	
3.14	2	Bearing (BS 290 SKF)	bearing.ipt	Buy	BS 290 SKF - SKF 7301 BE	
3.15	2	Bushing 1/2"	bushing 1/2".ipt	Buy	Steel C45	
3.16	2	Screw cap (ANME B16.15)	screw cap.ipt	Buy	Steel C45	
3.17	4	J Bolt M6x90	j bolt.ipt	Standard	J Bolt (ANSI B18.2.3.2M- M6x90)	
3.18	4	Nuts M6x1	nuts.ipt	Standard	nuts (ANSI B18.2.3.2M- M6x1)	
3.19	2	Short pipe 1/2" C	short pipe 1/2" C.ipt	Standard	Steel C45	
3.20	1	Pipe 1/2" (ASME B36.10M)	pipe 1/2".ipt	Standard	Steel C45	
4.0	1	Drum assembly	drum assembly.iam	Production		17
4.1	1	Drum	Drum.ipt	Production	Steel C45	18
4.2	3	Blade	blade.ipt	Production	Steel C45	19
4.3	8	Screw ANSI B18.5	screw ANSI B18.5.ipt	Standard	ANSI B18.5- 1/4 - 20 UNC - 2, RHBI	
4.4	8	Spacer 0,5"x3"	Spacer 0,5"x3".ipt	Standard	Steel C45	
4.5	8	Nuts 1/4"	nuts 1/4".ipt	Standard	Nuts 1/4" (ANSI B18.5 UNC-2)	

PROJECT Homemade Concrete Mixer - 250 Watts		CREATED BY E. Ceballos	APPROVED BY A. Morillo	DATE 15/08/2021	VERSION 1.0
PART NAME Part list		FILE NAME parts list.csv			POS B2
DEVELOPED BY Popular Science	REDESIGNED BY  OHO e.V.	DOC. TYPE Parts List	MATERIAL	QUANTITY	
		LICENCE CC-BY-SA 4.0	SCALE	SHEET 4 / 19	



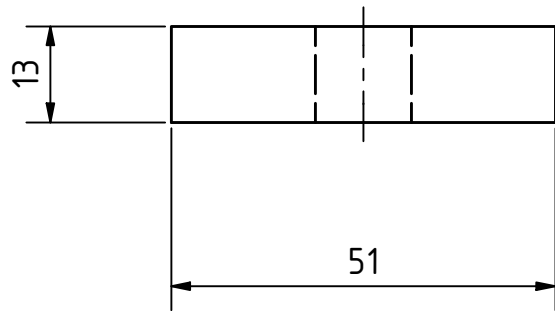
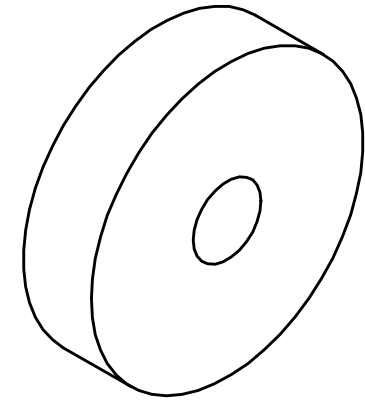
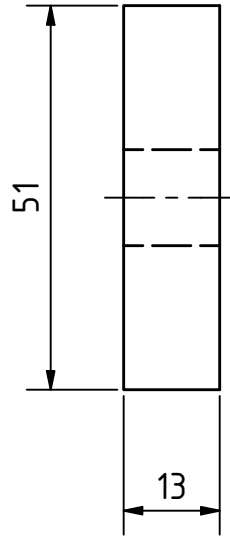
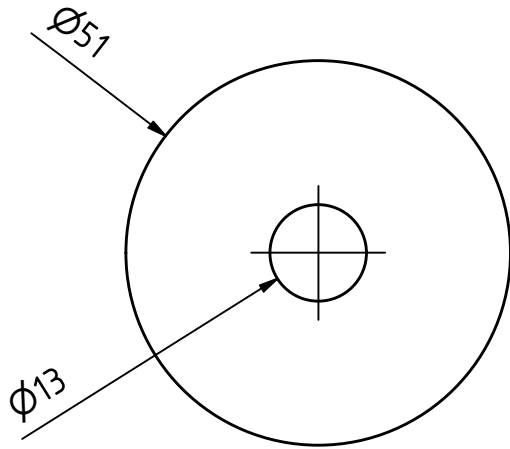
Note: All units in mm.

PROJECT Homemade Concrete Mixer - 250 Watts	CREATED BY E. Ceballos	APPROVED BY A. Morillo	DATE 15/08/2021	VERSION 1.0
PART NAME Lower frame assembly pipe 1/2" lower frame pipe 1/2".iam	FILE NAME			POS 1.0
DEVELOPED BY	REDESIGNED BY	DOC. TYPE Assembly	MATERIAL	QUANTITY 1
Popular Science	OHO e.V.	LICENCE CC-BY-SA 4.0	SCALE 1:20	SHEET 5 / 19



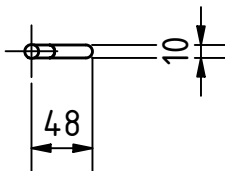
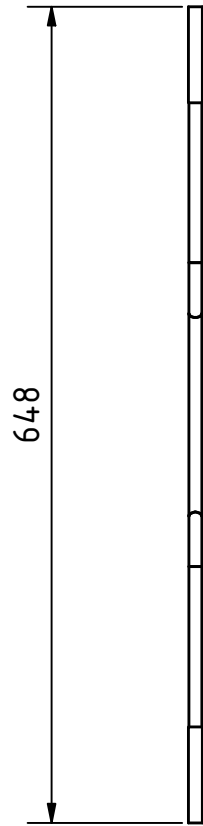
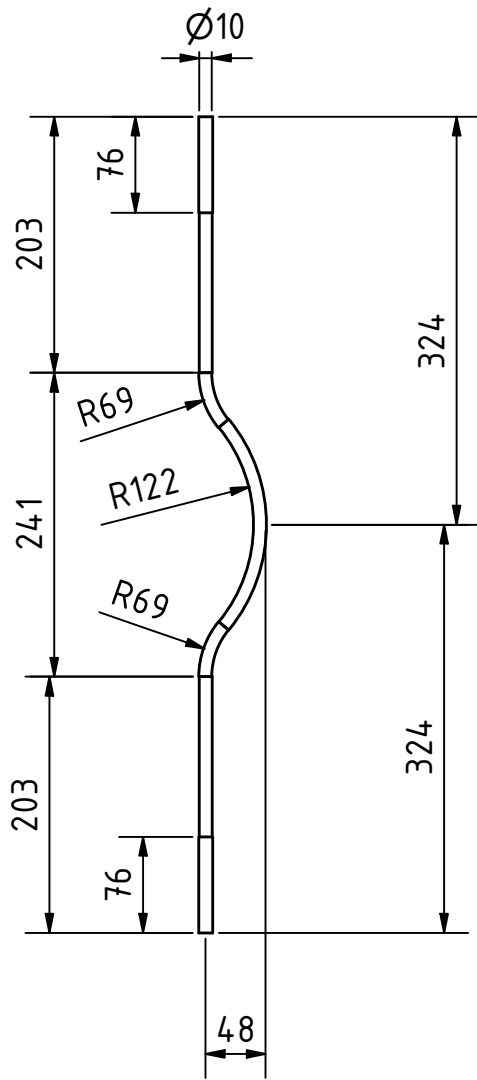
Note: all units in mm

PROJECT Homemade Concrete Mixer - 250 Watts	CREATED BY E. Ceballos	APPROVED BY A. Morillo	DATE 15/08/2021	VERSION 1.0
PART NAME Handle	FILE NAME handle.ipt			POS 1.1
DEVELOPED BY Popular Science	REDESIGNED BY OHO e.V.	DOC. TYPE Part	MATERIAL Steel C45	QUANTITY 2
		LICENCE CC-BY-SA 4.0	SCALE 1:6	SHEET 6 /19



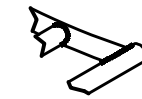
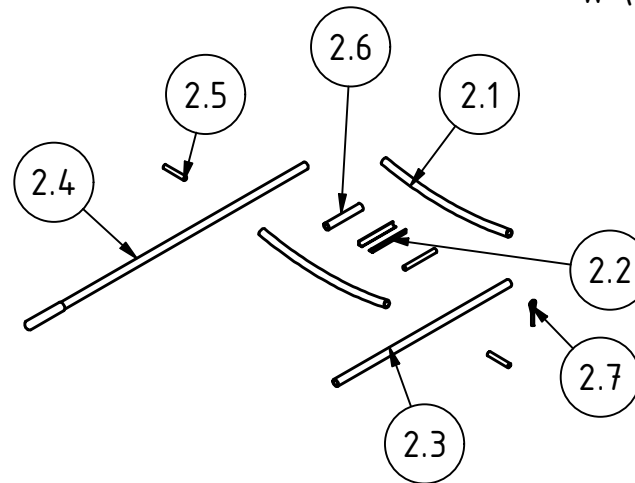
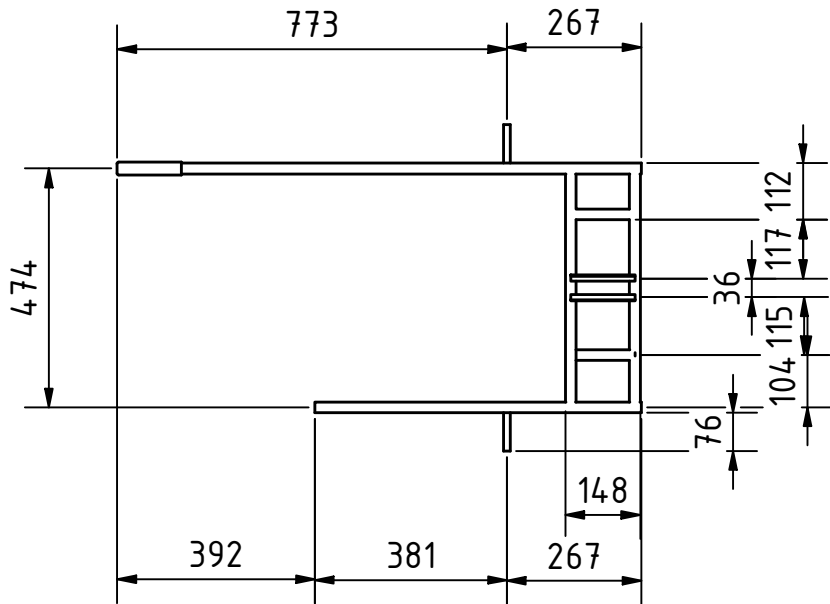
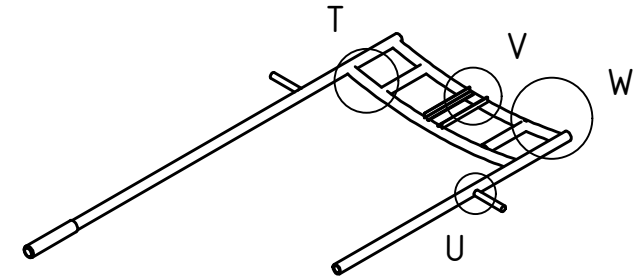
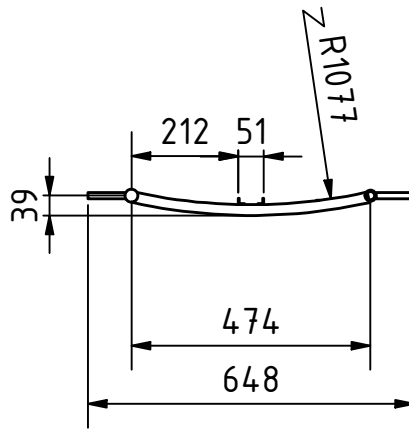
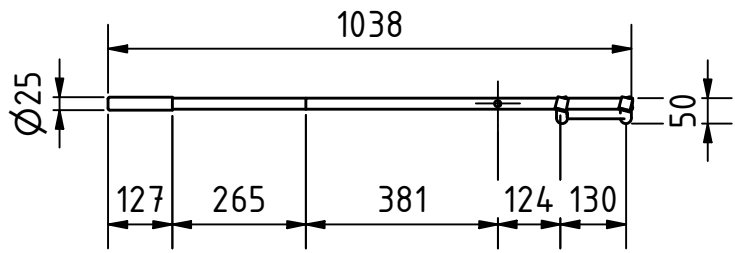
Note: all units in mm

PROJECT Homemade Concrete Mixer - 250 Watts		CREATED BY E. Ceballos		APPROVED BY A. Morillo	DATE 15/08/2021	VERSION 1.0
PART NAME Trunnion support 1/2"		FILE NAME trunnion support 1/2".ipt				POS 1.4
DEVELOPED BY Popular Science		REDESIGNED BY OHO e.V.		DOC. TYPE PART	MATERIAL Steel C45	QUANTITY 1
				LICENCE CC-BY-SA 4.0	SCALE 1:1	SHEET 7 /19

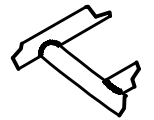


Note: all units in mm

PROJECT Homemade Concrete Mixer - 250 Watts	CREATED BY E. Ceballos	APPROVED BY A. Morillo	DATE 15/08/2021	VERSION 1.0
PART NAME Blend pipe	FILE NAME blend pipe.ipt			POS 1.7
DEVELOPED BY Popular Science	REDESIGNED BY OHO e.V.	DOC. TYPE Part	MATERIAL Steel C45	QUANTITY 1
		LICENCE CC-BY-SA 4.0	SCALE 1:6	SHEET 8 /19



W (1:8)



T (1:8)



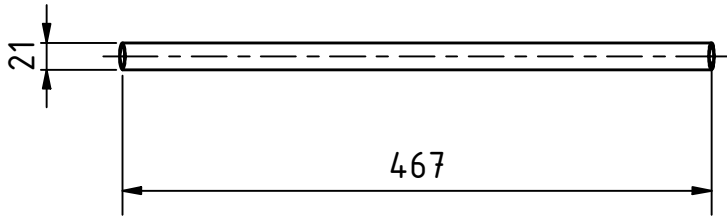
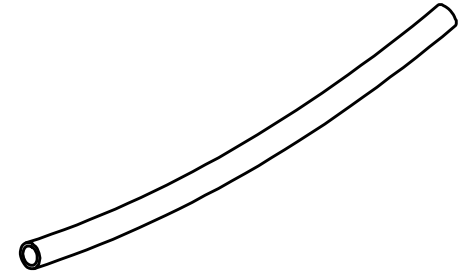
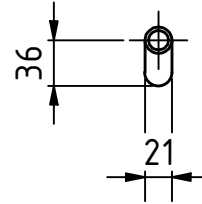
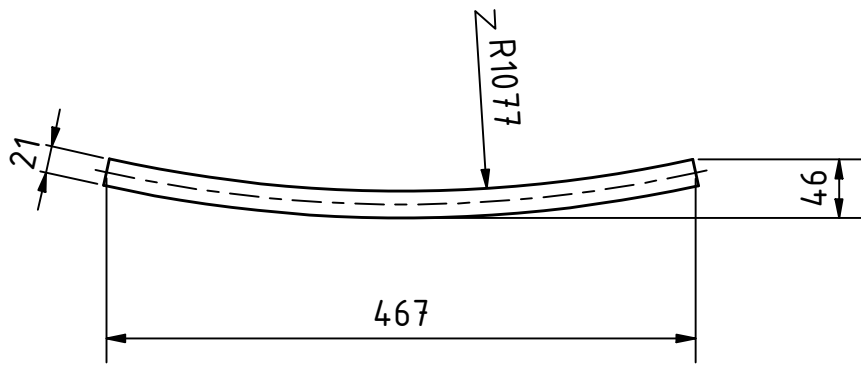
U (1:8)



V (1:8)

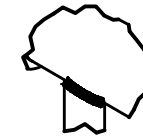
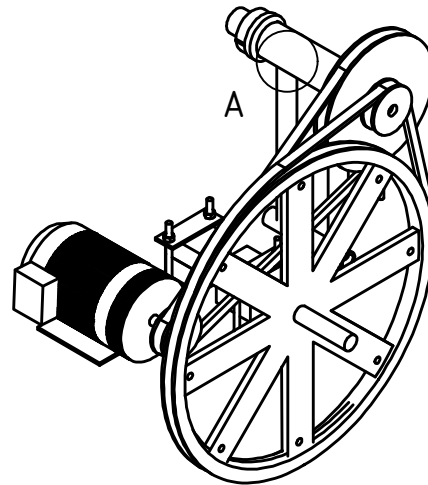
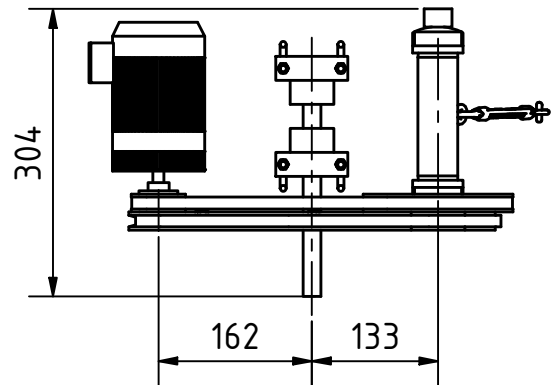
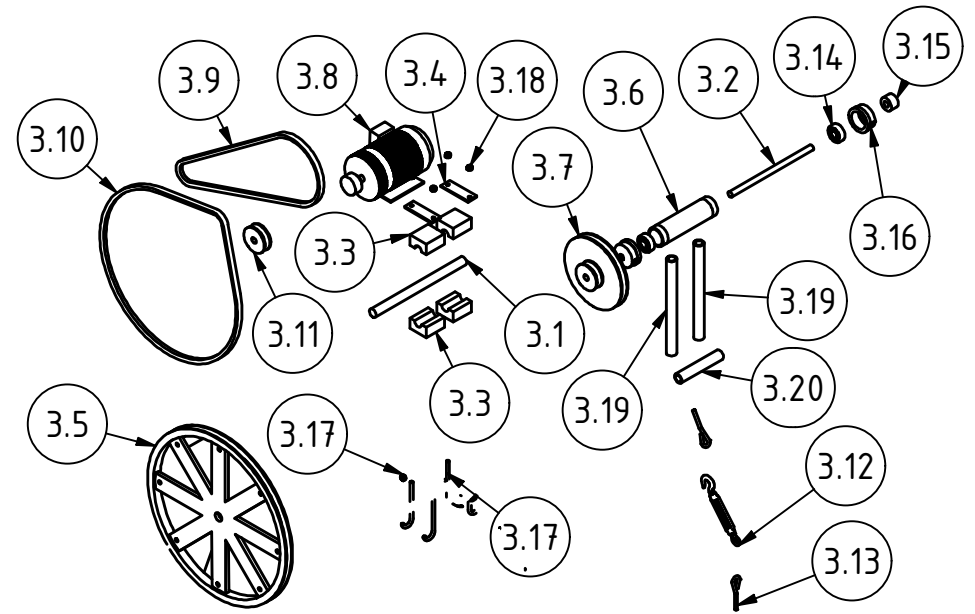
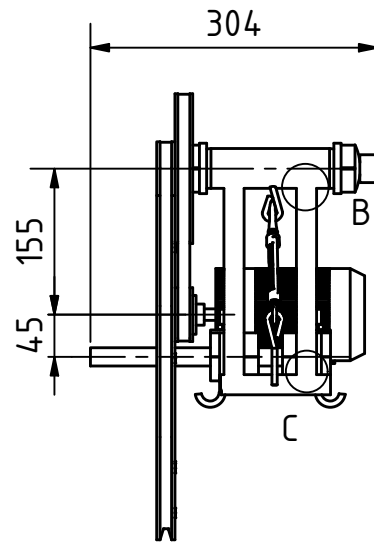
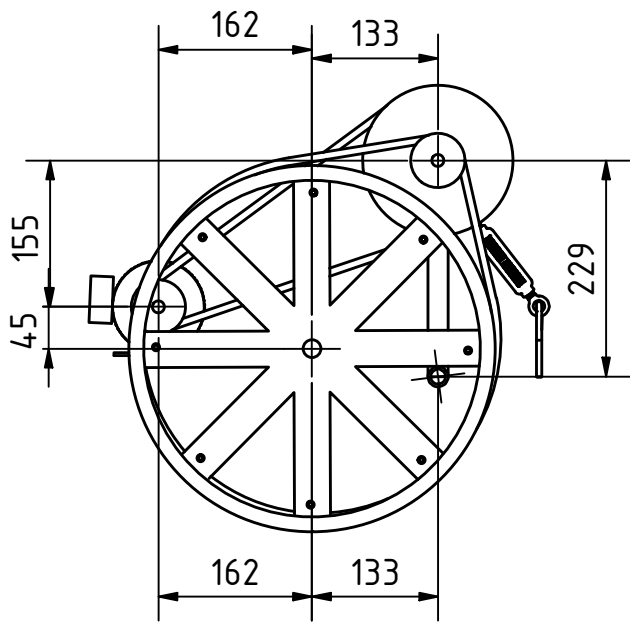
Note: All units in mm.

PROJECT Homemade Concrete Mixer - 250 Watts		CREATED BY E. Ceballos		APPROVED BY A. Morillo		DATE 15/08/2021	VERSION 1.0
PART NAME Upper frame assembly pipe 1/2"			FILE NAME upper frame assembly pipe 1/2".iam				POS 2.0
DEVELOPED BY Popular Science		REDESIGNED BY OHO e.V.		DOC. TYPE Assembly	MATERIAL		QUANTITY 1
				LICENCE CC-BY-SA 4.0		SCALE 1:15	SHEET 9 /19

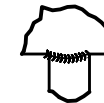


Note: all units in mm

PROJECT Homemade Concrete Mixer - 250 Watts		CREATED BY E. Ceballos	APPROVED BY A. Morillo	DATE 15/08/2021	VERSION 1.0
PART NAME Upper blend pipe		FILE NAME upper blend pipe.ipt			POS 2.1
DEVELOPED BY Popular Science	REDESIGNED BY OHO e.V.	DOC. TYPE Part	MATERIAL Steel C45	QUANTITY 2	
		LICENCE CC-BY-SA 4.0	SCALE 1:6	SHEET 10 /19	



A (1 : 4)



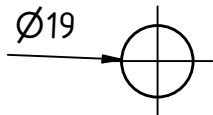
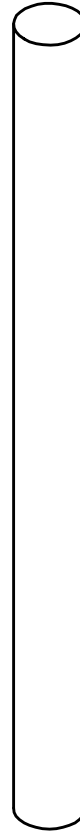
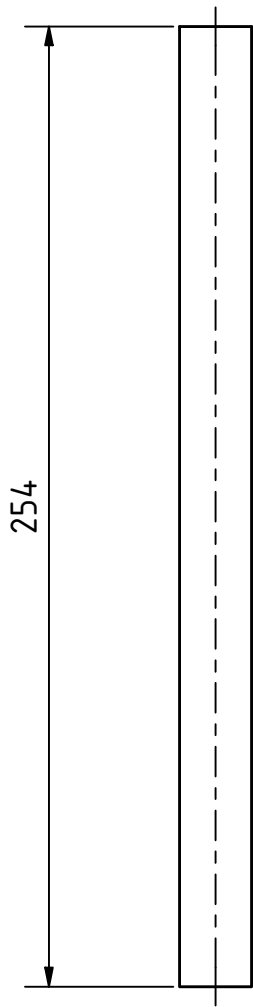
B (1 : 4)



C (1 : 4)

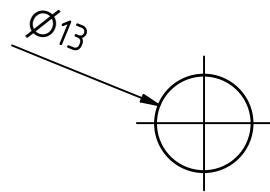
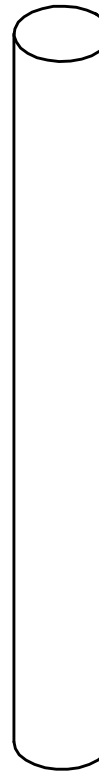
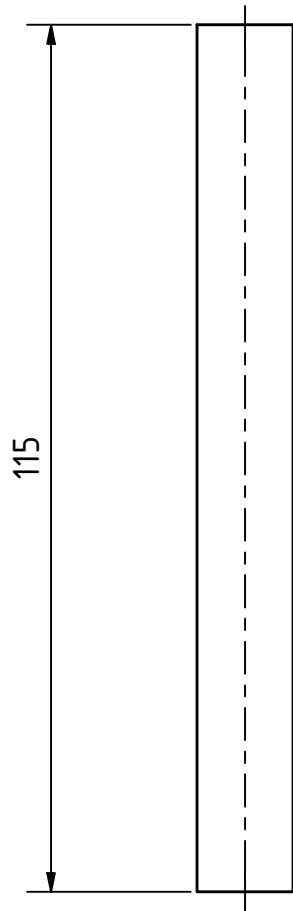
Note: all units in mm

PROJECT Homemade Concrete Mixer - 250 Watts		CREATED BY E. Ceballos		APPROVED BY A. Morillo		DATE 15/08/2021		VERSION 1.0	
PART NAME Transmission assembly				FILE NAME transmission assembly.iam				POS 3.0	
DEVELOPED BY Popular Science		REDESIGNED BY OHO e.V.		DOC. TYPE Assembly		MATERIAL		QUANTITY 1	
				LICENCE CC-BY-SA 4.0		SCALE 1:8		SHEET 11 /19	



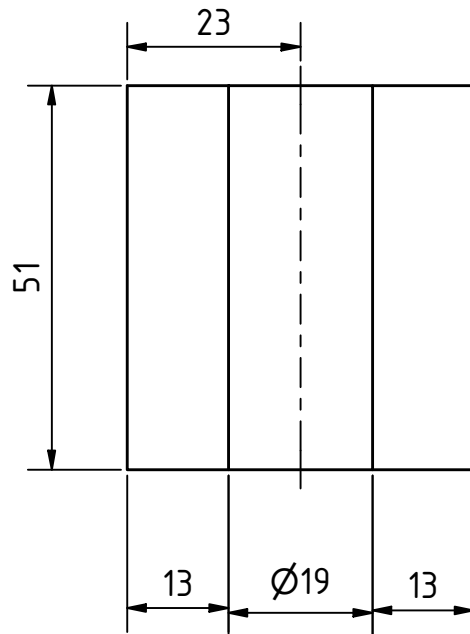
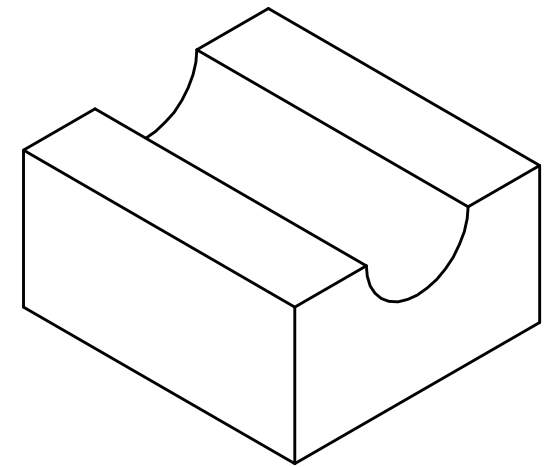
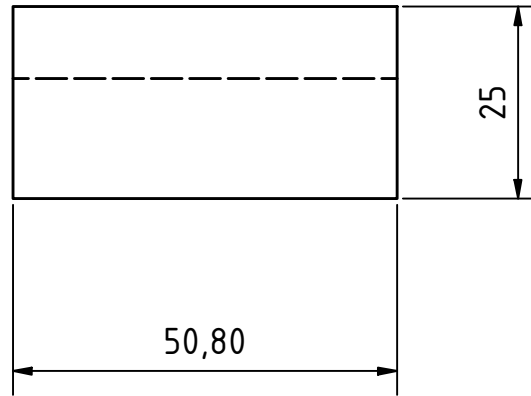
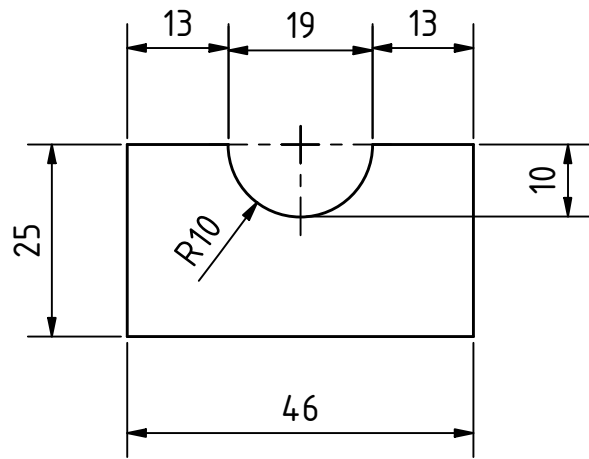
Note: Units. in mm

PROJECT Homemade Concrete Mixer - 250 Watts		CREATED BY E. Ceballos	APPROVED BY A. Morillo	DATE 15/08/2021	VERSION 1.0
PART NAME Principal shaft 3/4"		FILE NAME shaft 3/4".ipt			POS 3.1
DEVELOPED BY Popular Science	REDESIGNED BY OHO e.V.	DOC. TYPE PART	MATERIAL Steel C45	QUANTITY 1	
		LICENCE CC-BY-SA 4.0	SCALE 1:2	SHEET 12 /19	



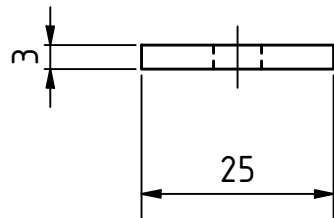
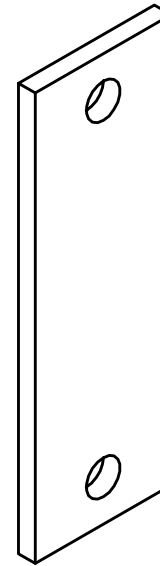
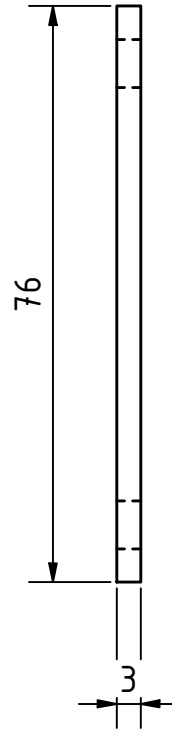
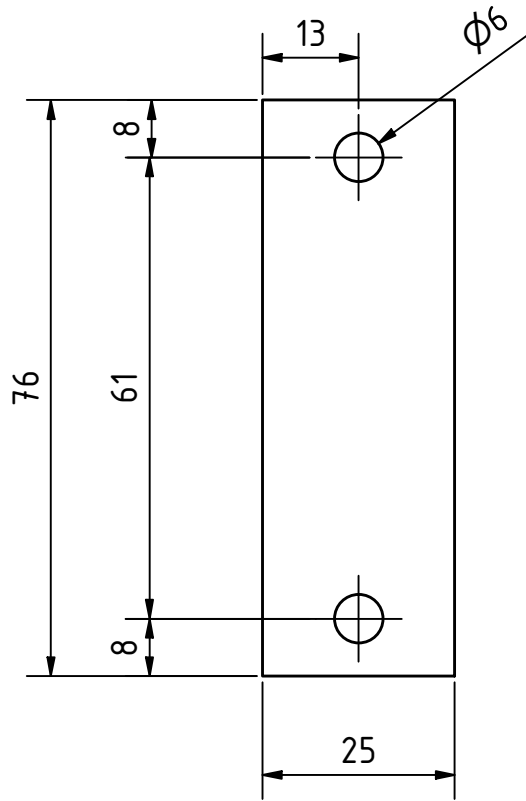
Note: all units in mm

PROJECT Homemade Concrete Mixer - 250 Watts		CREATED BY E. Ceballos	APPROVED BY A. Morillo	DATE 15/08/2021	VERSION 1.0
PART NAME Secondary shaft 1/2"		FILE NAME shaft 1/2".ipt			POS 3.2
DEVELOPED BY Popular Science	REDESIGNED BY OHO e.V.	DOC. TYPE PART	MATERIAL Steel C45	QUANTITY 1	
		LICENCE CC-BY-SA 4.0	SCALE 1:1	SHEET 13 /19	



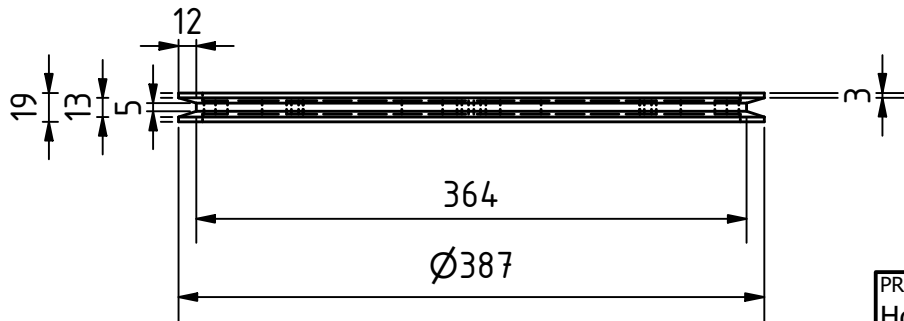
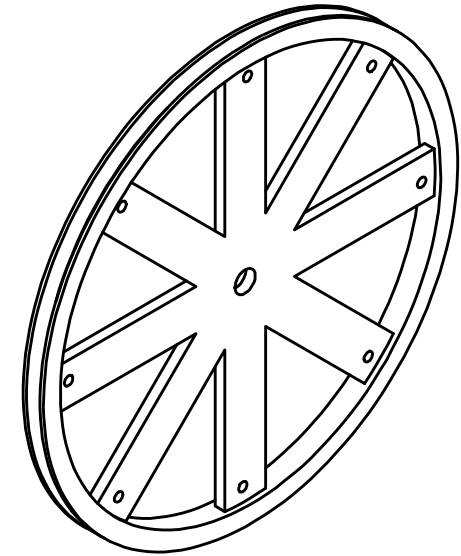
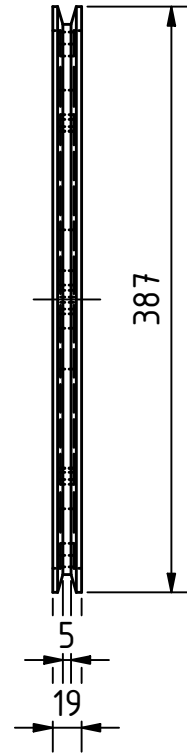
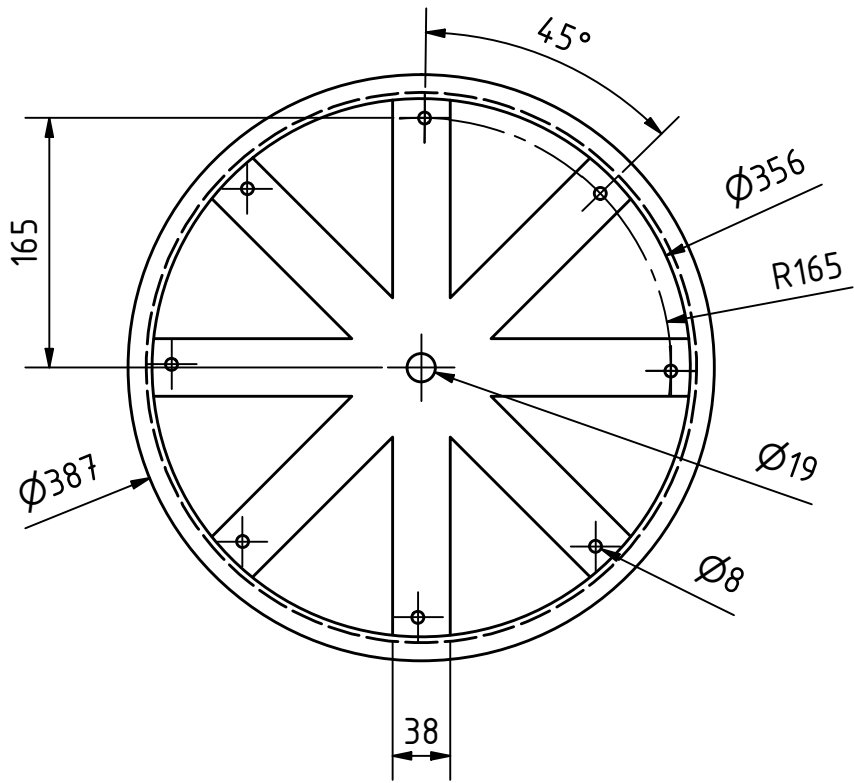
Note: all units. in mm

PROJECT Homemade Concrete Mixer - 250 Watts	CREATED BY E. Ceballos	APPROVED BY A. Morillo	DATE 15/08/2021	VERSION 1.0
PART NAME Wood block	FILE NAME wood block.ipt			POS 3.3
DEVELOPED BY Popular Science	REDESIGNED BY OHO e.V.	DOC. TYPE PART LICENCE CC-BY-SA 4.0	MATERIAL Kiln dried wood SCALE 1:1	QUANTITY 4 SHEET 14 /19

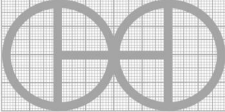


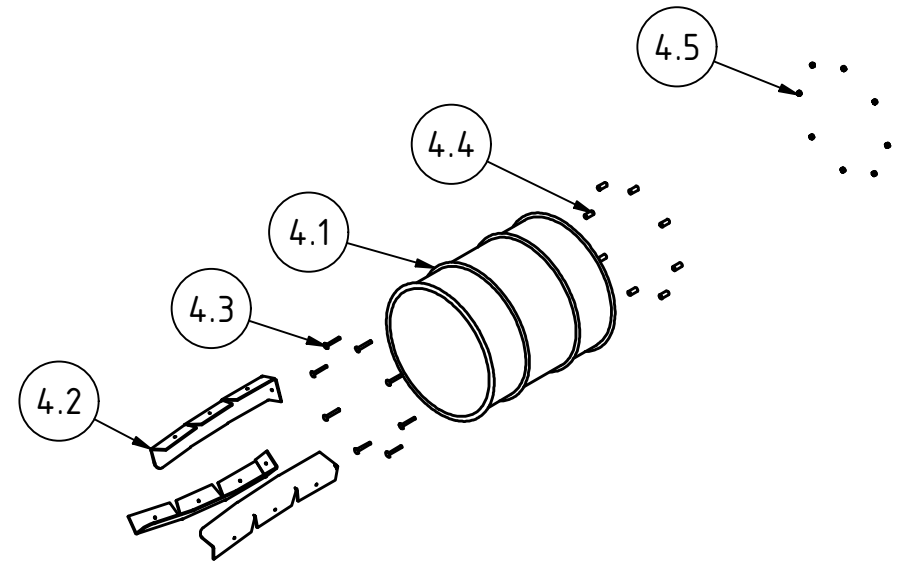
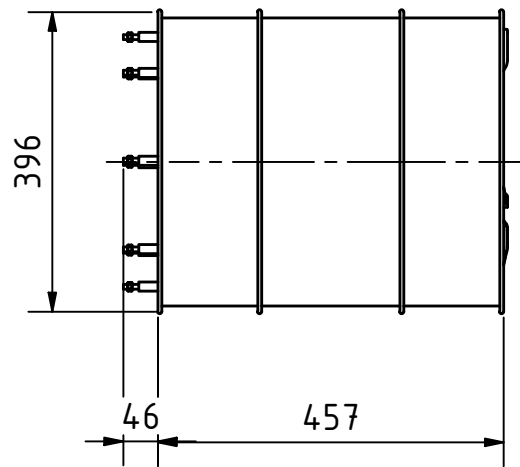
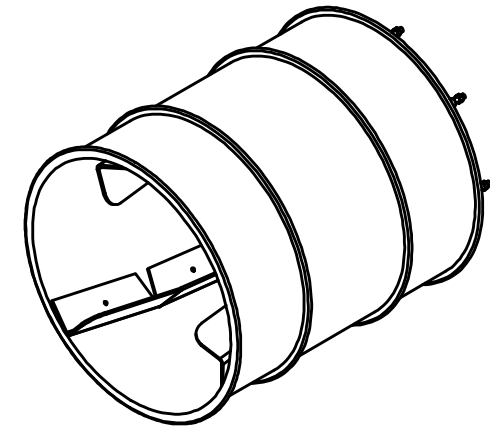
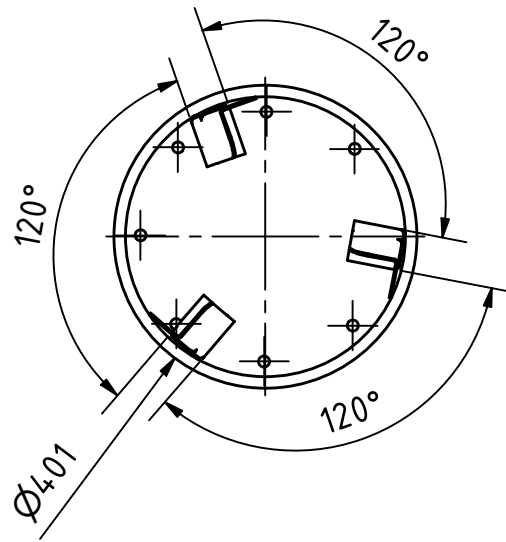
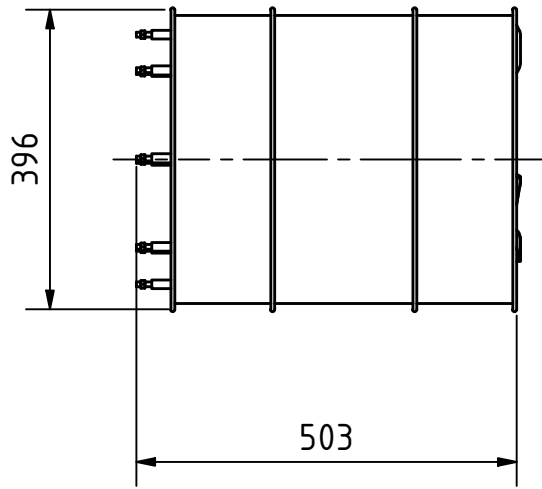
Note: all units in mm

PROJECT Homemade Concrete Mixer - 250 Watts		CREATED BY E. Ceballos	APPROVED BY A. Morillo	DATE 15/08/2021	VERSION 1.0
PART NAME Strap		FILE NAME strap.ipt			POS 3.4
DEVELOPED BY Popular Science	REDESIGNED BY OHO e.V.	DOC. TYPE PART LICENCE CC-BY-SA 4.0	MATERIAL Steel C45 SCALE 1:1	QUANTITY 1 SHEET 15 /19	



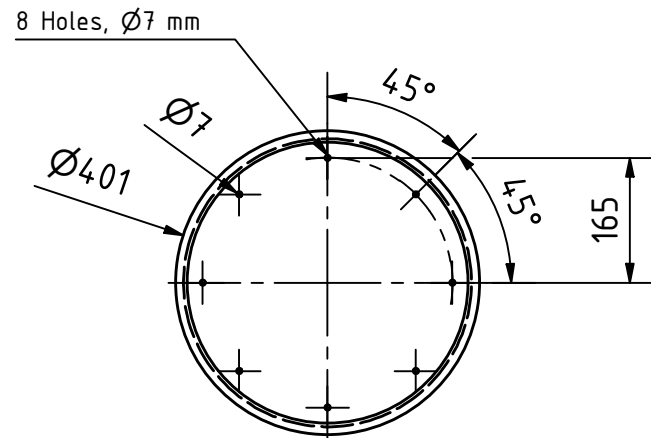
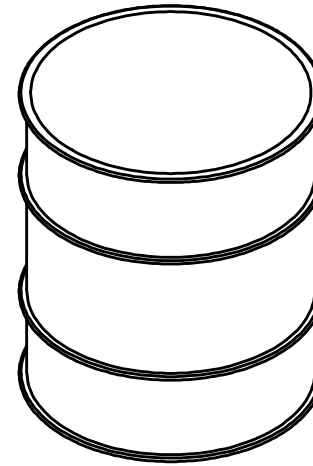
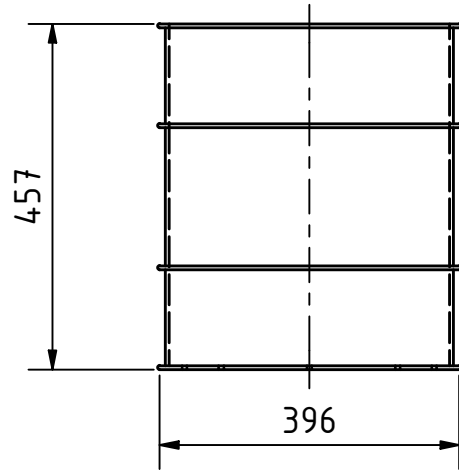
Note: all units in mm

PROJECT Homemade Concrete Mixer - 250 Watts	CREATED BY E. Ceballos	APPROVED BY A. Morillo	DATE 15/08/2021	VERSION 1.0
PART NAME V-pulley drum	FILE NAME V-pulley drum.ipt			POS 3.5
DEVELOPED BY Popular Science	REDESIGNED BY  OHO e.V.	DOC. TYPE PART	MATERIAL Steel C45	QUANTITY 1
		LICENCE CC-BY-SA 4.0	SCALE 1:5	SHEET 16 /19



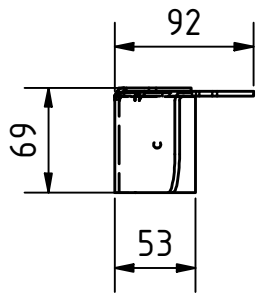
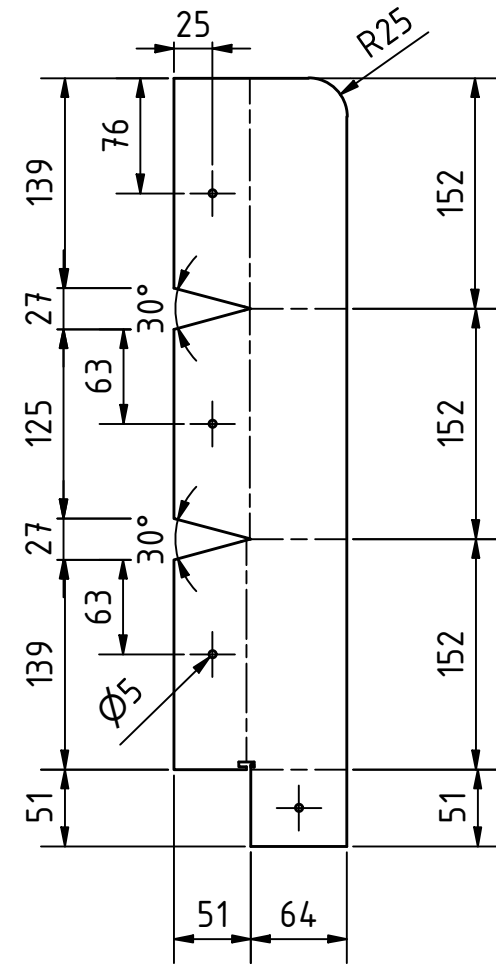
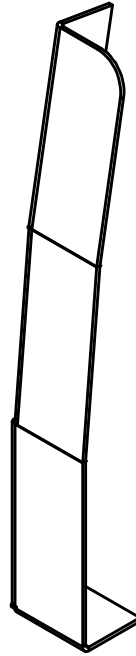
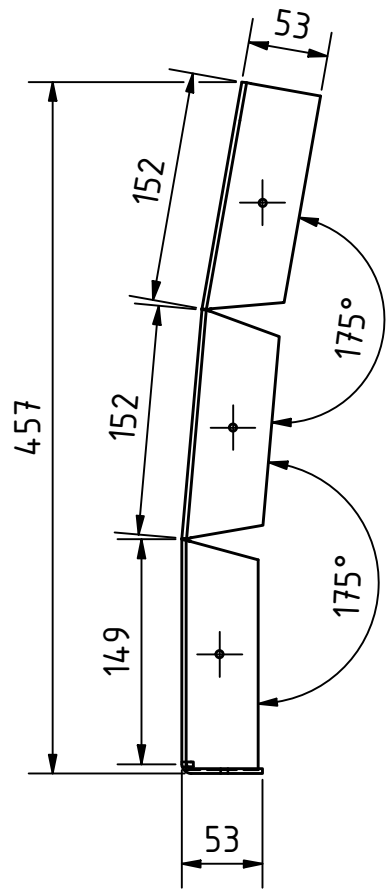
Note: all units in mm

PROJECT Homemade Concrete Mixer - 250 Watts		CREATED BY E. Ceballos	APPROVED BY A. Morillo	DATE 15/08/2021	VERSION 1.0
PART NAME Drum assembly		FILE NAME drum assembly.iam			POS 4.0
DEVELOPED BY Popular Science	REDESIGNED BY OHO e.V.	DOC. TYPE Assembly	MATERIAL	QUANTITY 1	
		LICENCE CC-BY-SA 4.0	SCALE 1:10	SHEET 17 /19	



Note: all units. in mm

PROJECT Homemade Concrete Mixer - 250 Watts		CREATED BY E. Ceballos	APPROVED BY A. Morillo	DATE 15/08/2021	VERSION 1.0
PART NAME Drum		FILE NAME drum.ipt			POS 4.1
DEVELOPED BY Popular Science		REDESIGNED BY OHO e.V.		DOC. TYPE PART LICENCE CC-BY-SA 4.0	MATERIAL Steel C45 SCALE 1:10
				QUANTITY 1	SHEET 18 /19



Note: all units in mm

PROJECT Homemade Concrete Mixer - 250 Watts		CREATED BY E. Ceballos		APPROVED BY A. Morillo		DATE 15/08/2021	VERSION 1.0	
PART NAME Blade		FILE NAME blade.ipt					POS 4.2	
DEVELOPED BY Popular Science		REDESIGNED BY OHO e.V.		DOC. TYPE PART	MATERIAL Steel C45		QUANTITY 1	
				LICENCE CC-BY-SA 4.0	SCALE 1:5		SHEET 19 /19	