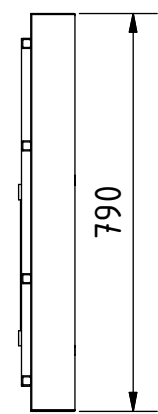
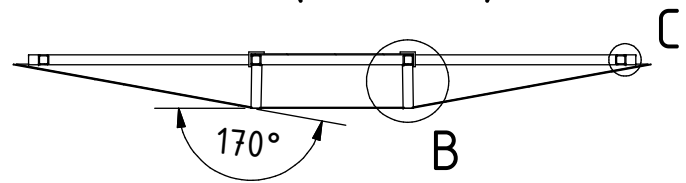
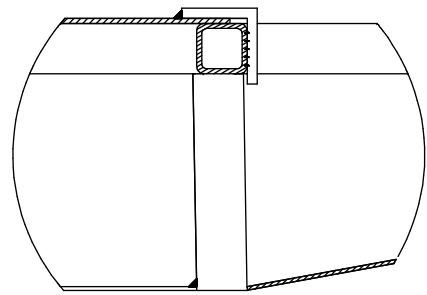


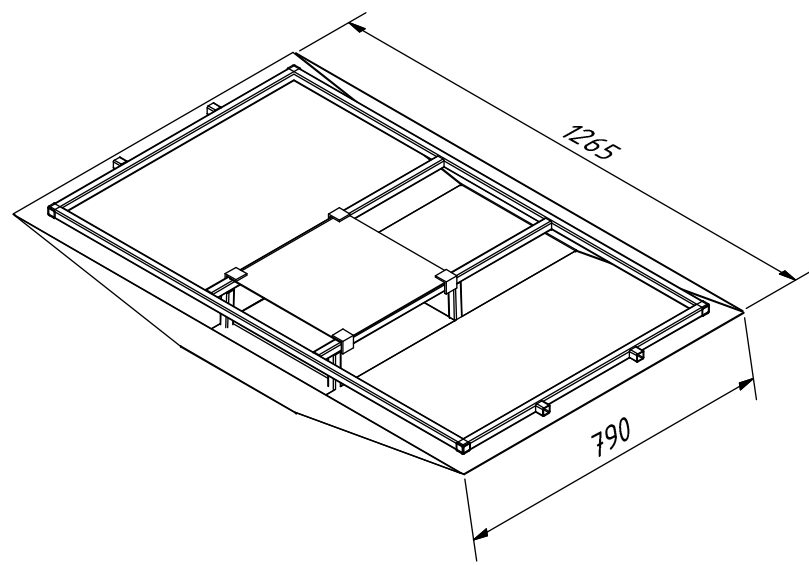
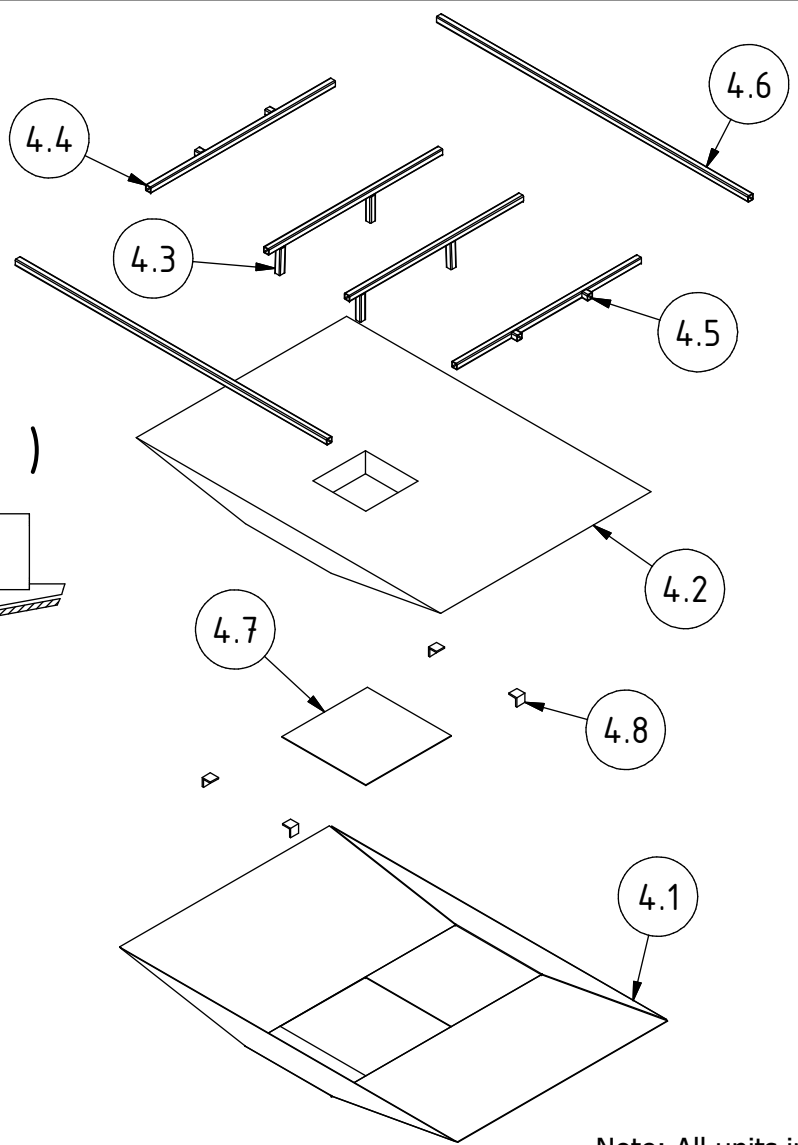
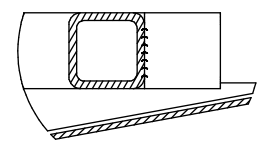
A-A ( 1 : 15 )



B ( 1 : 3 )



C ( 1 : 2 )



Note: All units in mm.

|                     |                         |              |            |          |
|---------------------|-------------------------|--------------|------------|----------|
| PROJECT             | CREATED BY              | APPROVED BY  | DATE       | VERSION  |
| Rocket Bread Oven   | D. Rodriguez            | A. Morillo   | 25/10/2021 | 1.0      |
| PART NAME           | FILE NAME               |              |            | POS      |
| Transition assembly | Transition assembly.ipn |              |            | 4.0      |
| DEVELOPED BY        | REDESIGNED BY           | DOC. TYPE    | MATERIAL   | QUANTITY |
|                     |                         | Assembly     |            | 1        |
|                     |                         | LICENCE      | SCALE      | SHEET    |
| GIZ                 |                         | CC-BY-SA 4.0 | 1:15       | 22 /36   |