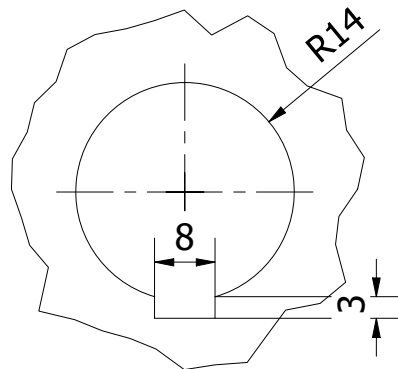
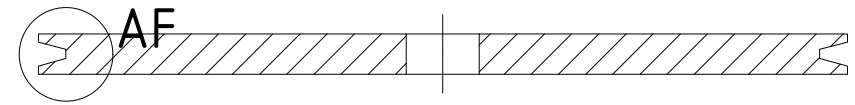


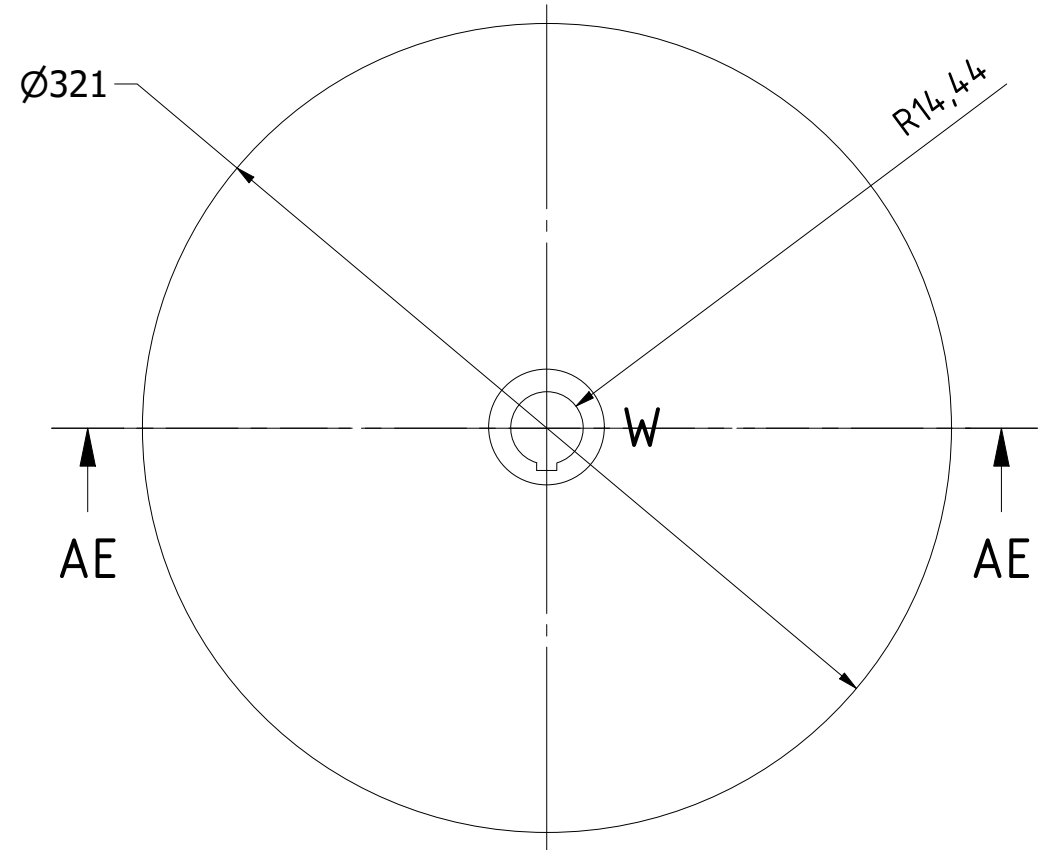
AF (3/1)




W (1/1)



AE-AE (1 : 3)



Note: All units in mm.

| | | | | |
|---|-------------------------------|---------------------------|--------------------|-----------------|
| PROJECT Wind turbine with vertical metal drum sails | CREATED BY J. Rosciano | APPROVED BY A. Morillo | DATE 27/10/2021 | VERSION 1.1 |
| PART NAME Large pulley | FILE NAME Large pulley.ipt | | | POS 2.5 |
| PUBLISHED BY  OPEN HARDWARE OBSERVATORY Free Blueprints for Sustainable Development | DOC. TYPE Part | MATERIAL DIN C45 | SCALE 1/3 | QUANTITY 1 |
| OHO e.V. | LICENCE CC-BY-SA 4.0 | | | SHEET 18 /41 |