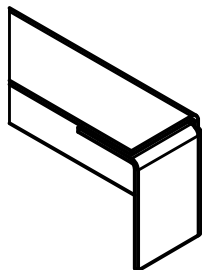
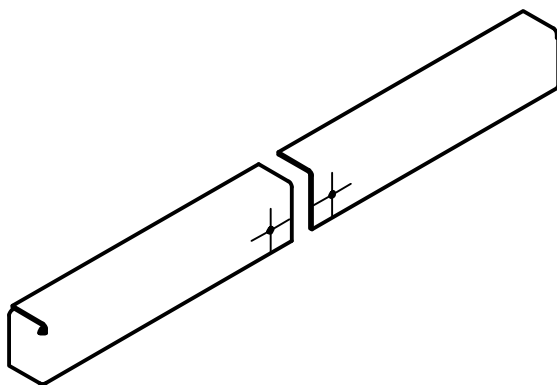
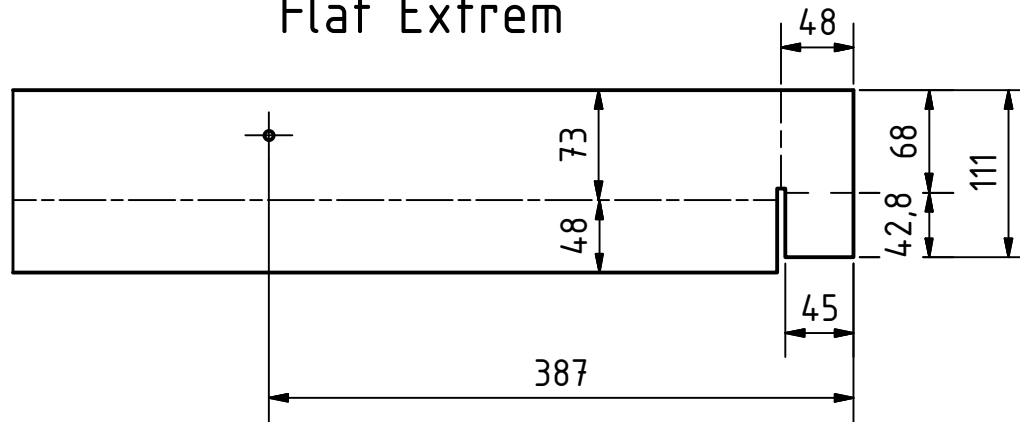


Det. Extr.



Flat Extrem



PROJECT Solar Water Heater with corrugated metal collector	CREATED BY D. MOSQUERA	APPROVED BY A. MORILLO	DATE 16-06-21	VERSION 1.0
PART NAME Angle short	FILE NAME eg_swh_angle2x3.ipt			POS 4.9
DEVELOPED BY ECOTOPE GROUP	REDESIGNED BY OSEG	DOC. TYPE PART	MATERIAL Steel A36	QUANTITY 1
		LICENCE CC-BY-SA 4.0	SCALE 1:4	SHEET 30 /31