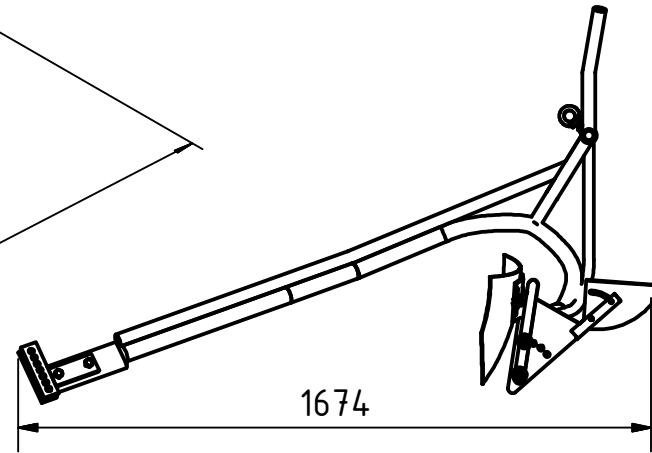
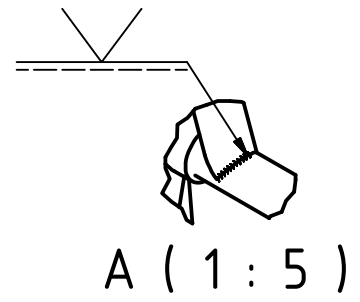
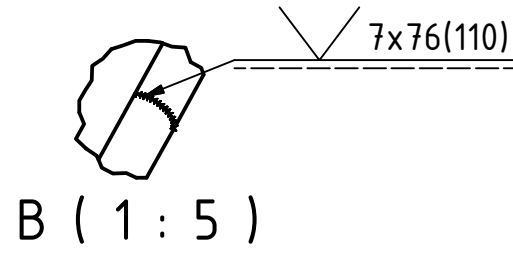
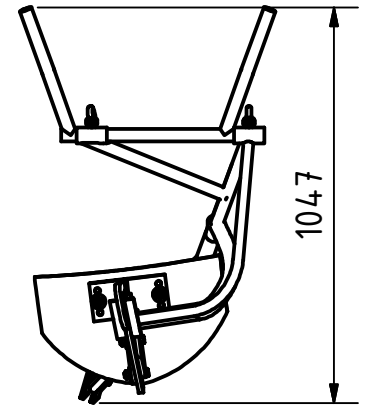


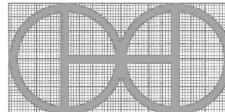
SCALE (1 : 10)



SCALE (1 : 20)



Note: All units in mm.

| | | | | |
|------------------|---|--------------|------------|----------|
| PROJECT | CREATED BY | APPROVED BY | DATE | VERSION |
| Ox-drawn Plough | L. Ruda | A. Morillo | 09/09/2021 | 1.0 |
| PART NAME | FILE NAME | POS | | |
| 3d views | pac_odp_ox-drawn_plough | A1 | | |
| DEVELOPED BY | REDESIGNED BY | DOC. TYPE | MATERIAL | QUANTITY |
| |  | Assembly | | 1 |
| Practical Action | OHO e.V. | LICENCE | SCALE | SHEET |
| | | CC-BY-SA 4.0 | 1:20 | 1 /26 |