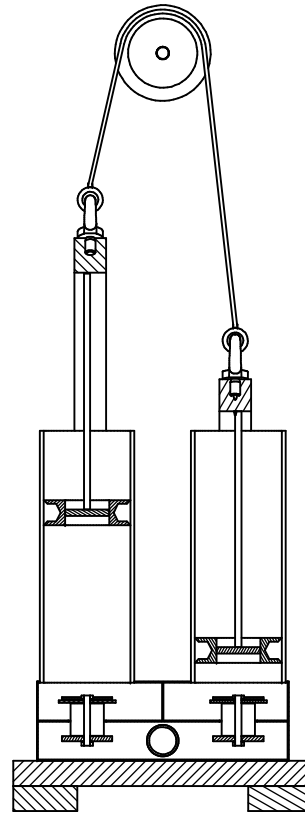
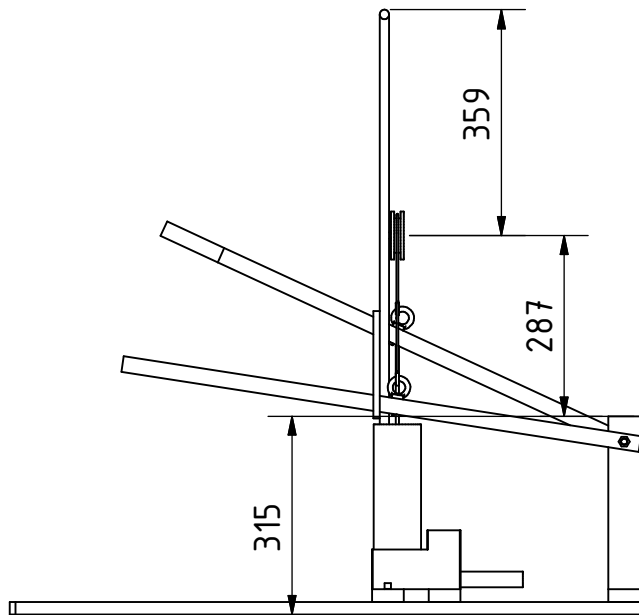
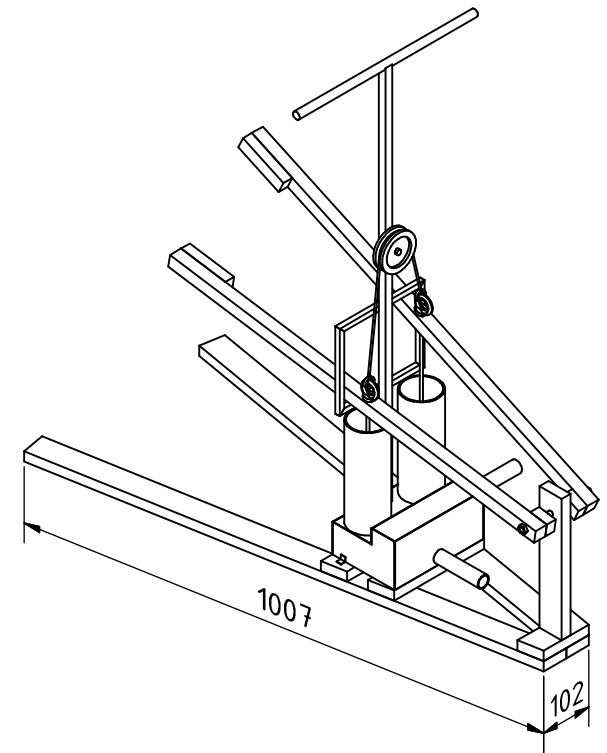
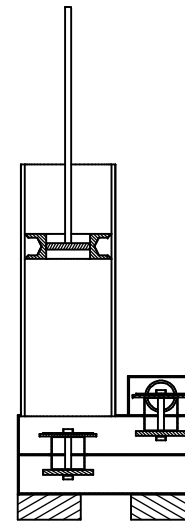


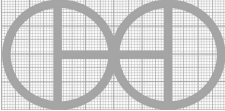
A-A (1 : 6)



B-B (1 : 6)



Note: All units in mm.

PROJECT	CREATED BY	APPROVED BY	DATE	VERSION
Threadle pump	J. Zeron	A. Morillo	03/09/2021	1.0
PART NAME	FILE NAME	POS		
3d views	Threadle pump.iam	A1		
DEVELOPED BY	REDESIGNED BY	DOC. TYPE	MATERIAL	QUANTITY
		Assembly		
University of Warwick, DTU OHO e.V.		LICENCE	SCALE	SHEET
		CC-BY-SA 4.0	1:12	1 /29