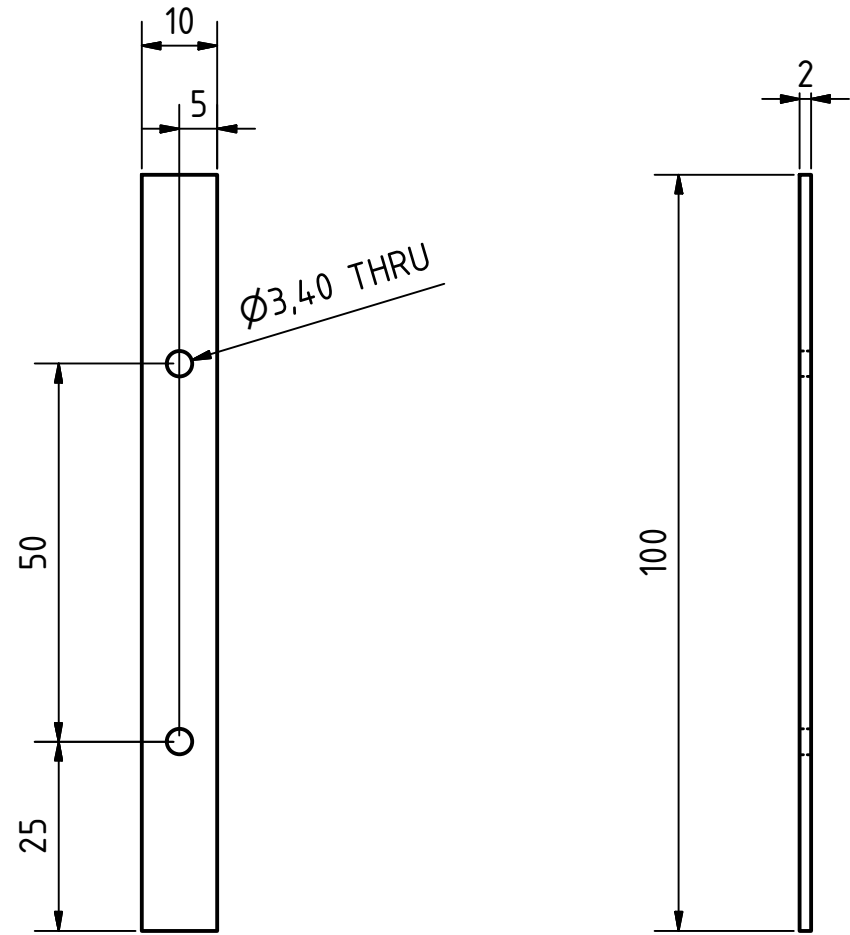


SCALE (1 : 1)



SCALE (1 : 1)

Note: All units in mm.

PROJECT Peeling Machine for Sunflower Seeds		CREATED BY L. Ruda		APPROVED BY A. Morillo		DATE 16/09/2021	VERSION 1.0	
PART NAME Blade		FILE NAME Blade.ipt					POS 2.2.2	
DEVELOPED BY		REDESIGNED BY		DOC. TYPE Part	MATERIAL Steel A53		QUANTITY 6	
Tropical Products Institute		OHO e.V.		LICENCE CC-BY-SA 4.0	SCALE 1:1		SHEET 30 /71	

