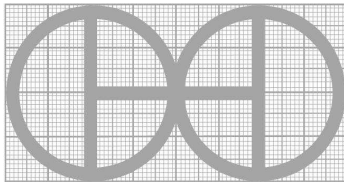
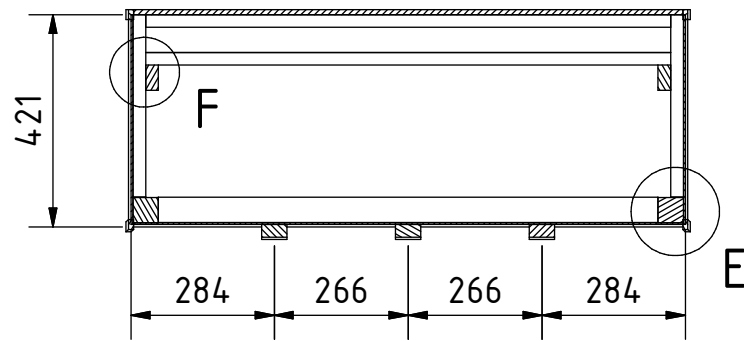


Note: All units in mm.

PROJECT	CREATED BY	APPROVED BY	DATE	VERSION
Flat Bottom Boat Scow-Type	J. Zeron	A. Morillo	08/10/2021	1.0
PART NAME	FILE NAME			POS
3D views	Flat Bottom Boat Scow-Type.iam			A1
PUBLISHED BY		DOC. TYPE	MATERIAL	QUANTITY
OHO e.V.		Assembly		1
		LICENCE	SCALE	SHEET
		CC-BY-SA 4.0	1:25	1 / 17

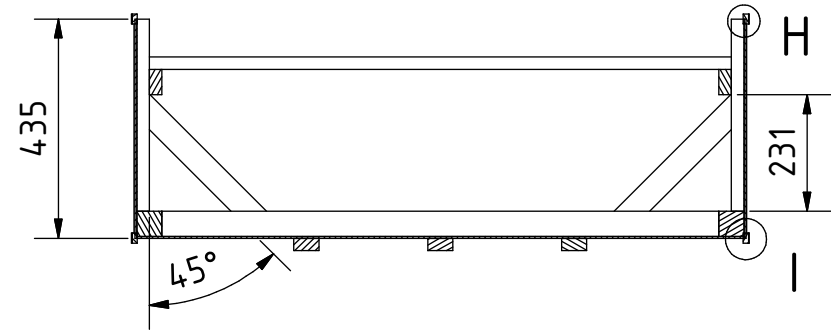
B-B



E (1 : 5)

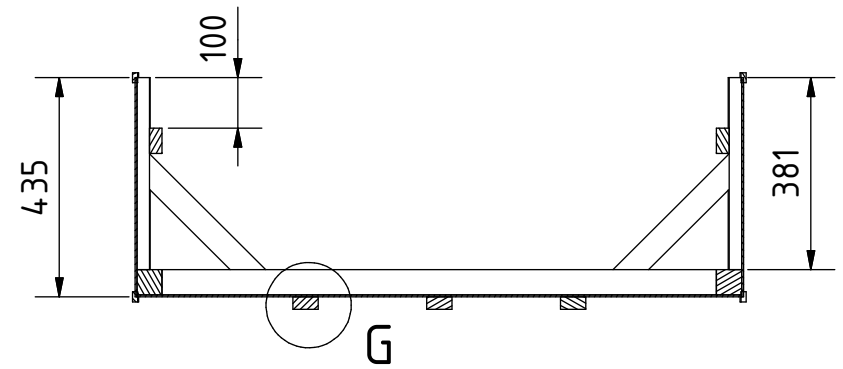
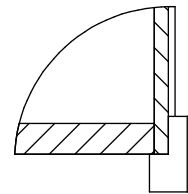
F (1 : 5)

C-C



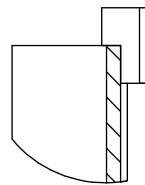
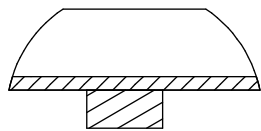
D-D

I (1 : 2)

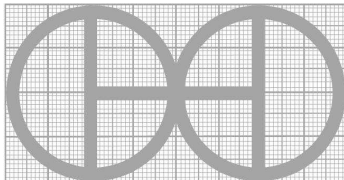


G (1 : 5)

H (1 : 2)



Note: All units in mm.

PROJECT	CREATED BY	APPROVED BY	DATE	VERSION
Flat Bottom Boat Scow-Type	J. Zeron	A. Morillo	08/10/2021	1.0
PART NAME	FILE NAME			POS
3D views	Flat Bottom Boat Scow-Type.iam			A1
PUBLISHED BY		DOC. TYPE	MATERIAL	QUANTITY
OHO e.V.		Assembly		1
		LICENCE	SCALE	SHEET
	CC-BY-SA 4.0	1:15	2 / 17	