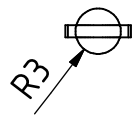
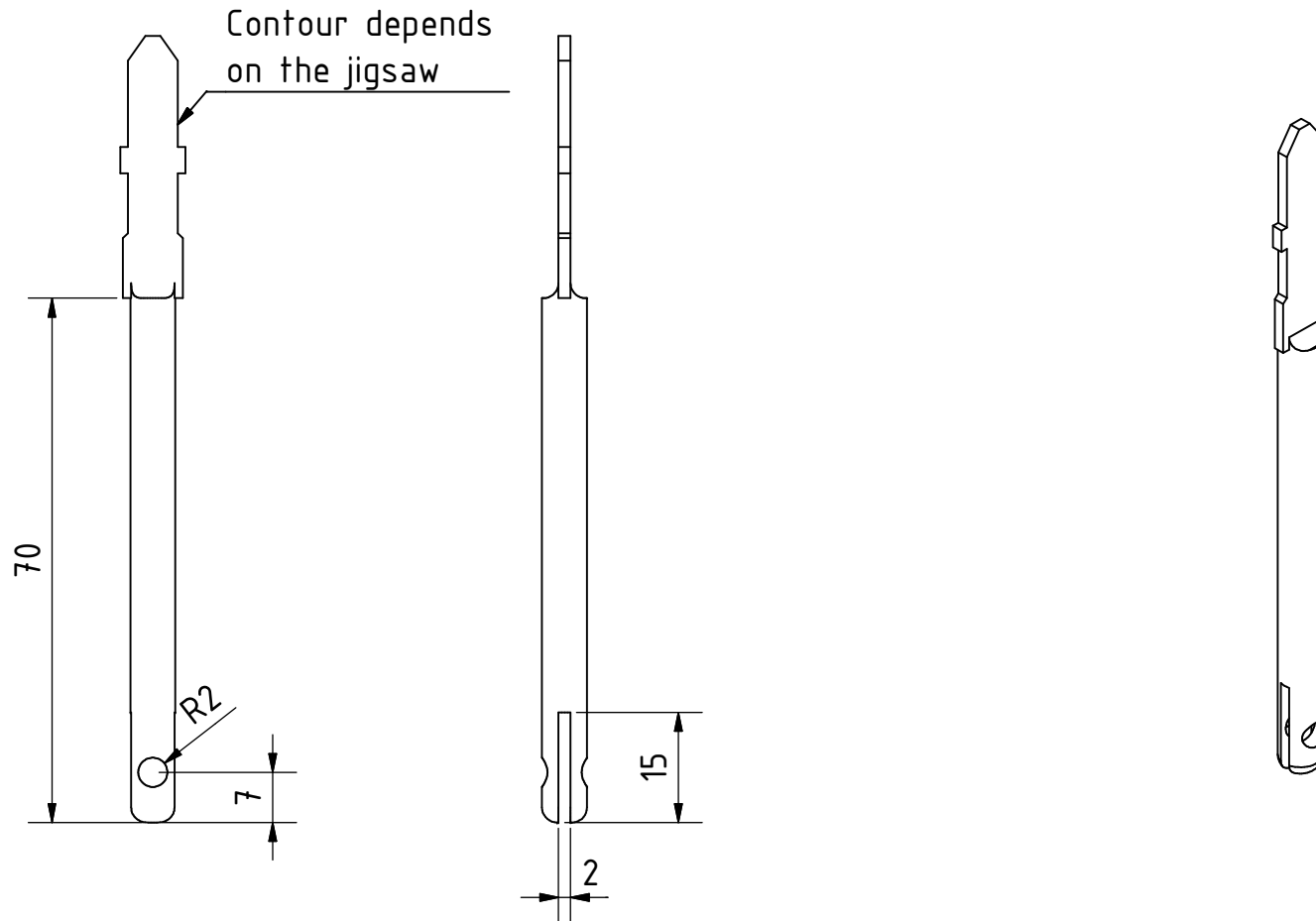



ELEVATION (1 : 1)



Note: All units in mm.

PROJECT Electrical Saw for Small Metal Works	CREATED BY J. Zeron	APPROVED BY A. Morillo	DATE 10/08/202	VERSION 1.0
PART NAME Guide bolt B	FILE NAME Guide bolt B.ipt			POS 12
PUBLISHED ON		DOC. TYPE Part	MATERIAL Steel C45	QUANTITY 1
 OPEN HARDWARE OBSERVATORY Free Blueprints for Sustainable Development www.oho.wiki		LICENCE CC-BY-SA 4.0	SCALE 1:1	SHEET 9 /11