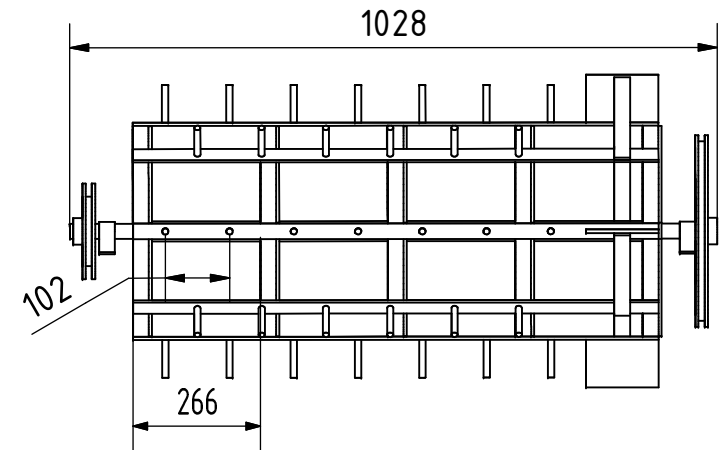
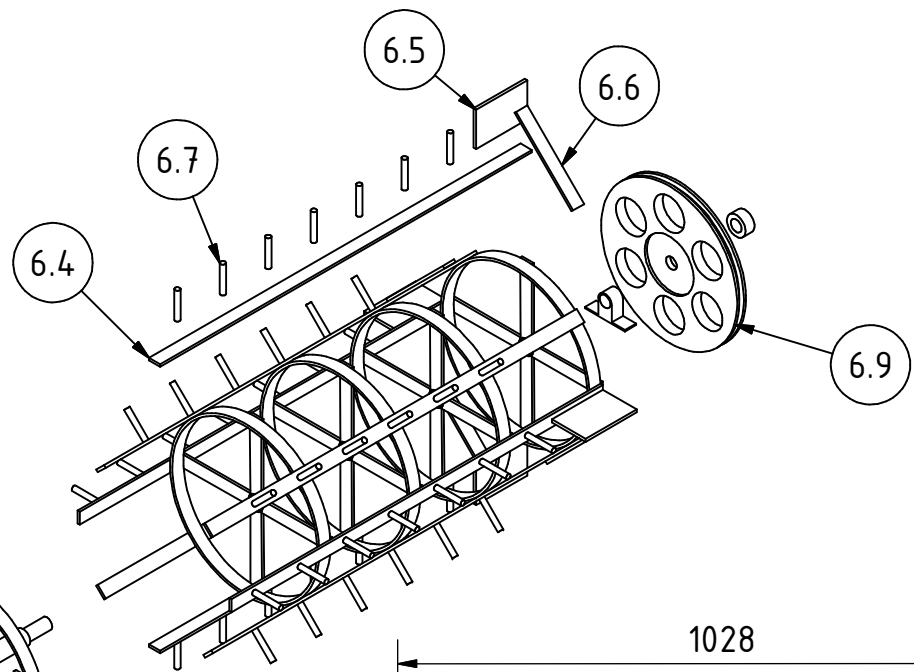
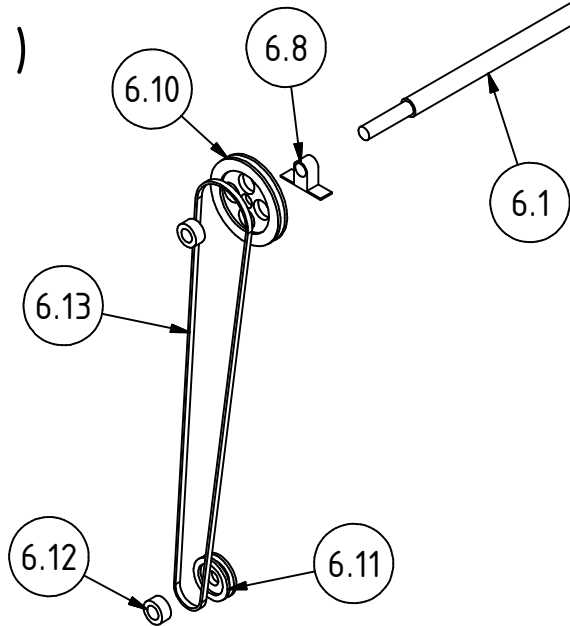


A (1 : 3)



B (1 : 3)



All metal parts are welded.
Note: All units in mm.

PROJECT Power Thresher for rice and wheat	CREATED BY J. Zeron	APPROVED BY A. Morillo	DATE 30/08/2021	VERSION 1.0
PART NAME Thresher cylinder	FILE NAME Thresher cylinder.ipn			POS 6.0
DEVELOPED BY Practical Action	REDESIGNED BY OHO e.V.	DOC. TYPE Assembly	MATERIAL	QUANTITY 1
		LICENCE CC-BY-SA 4.0	SCALE 1:12	SHEET 35 /43