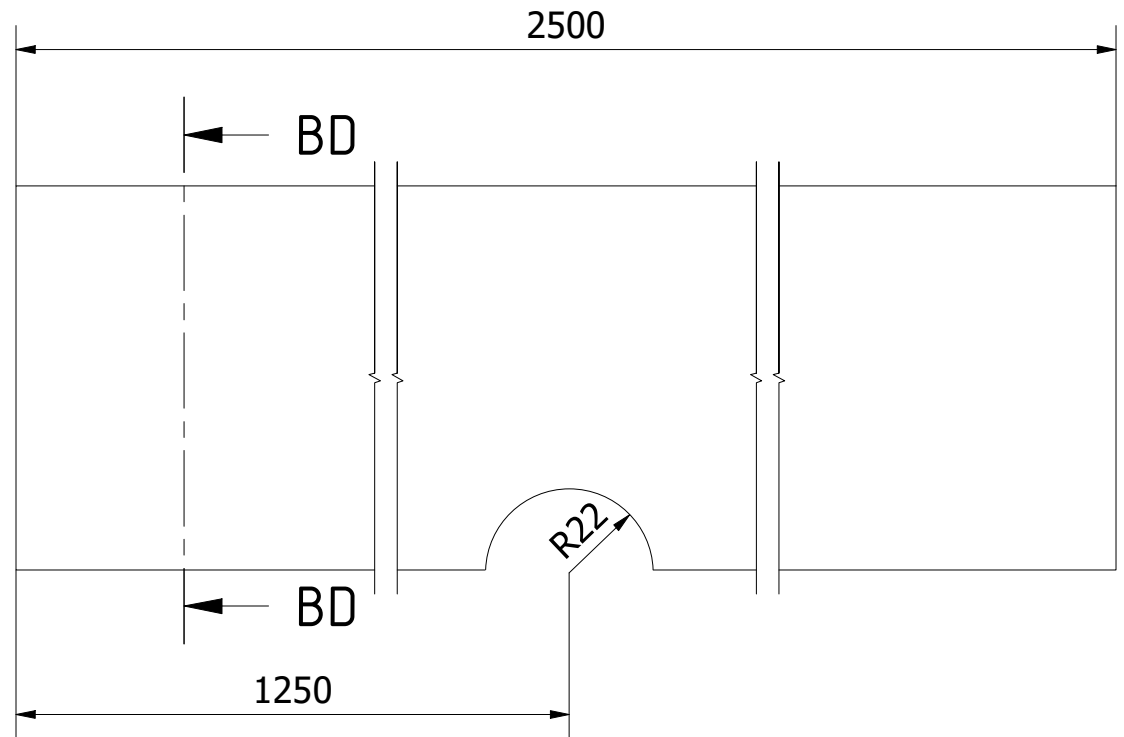



BD-BD ( 1 : 2 )



NOTE: All units in mm.

PROJECT Wind turbine with vertical metal drum sails	CREATED BY J. Rosciano	APPROVED BY A. Morillo	DATE 27/10/2021	VERSION 1.1
PART NAME Base support	FILE NAME Base support.ipt			POS 3.6
PUBLISHED BY  OPEN HARDWARE OBSERVATORY Free Blueprints for Sustainable Development	DOC. TYPE Part	MATERIAL Hardwood	QUANTITY 2	
OHO e.V.	LICENCE CC-BY-SA 4.0	SCALE 1/1	SHEET 32 /41	