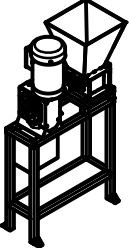
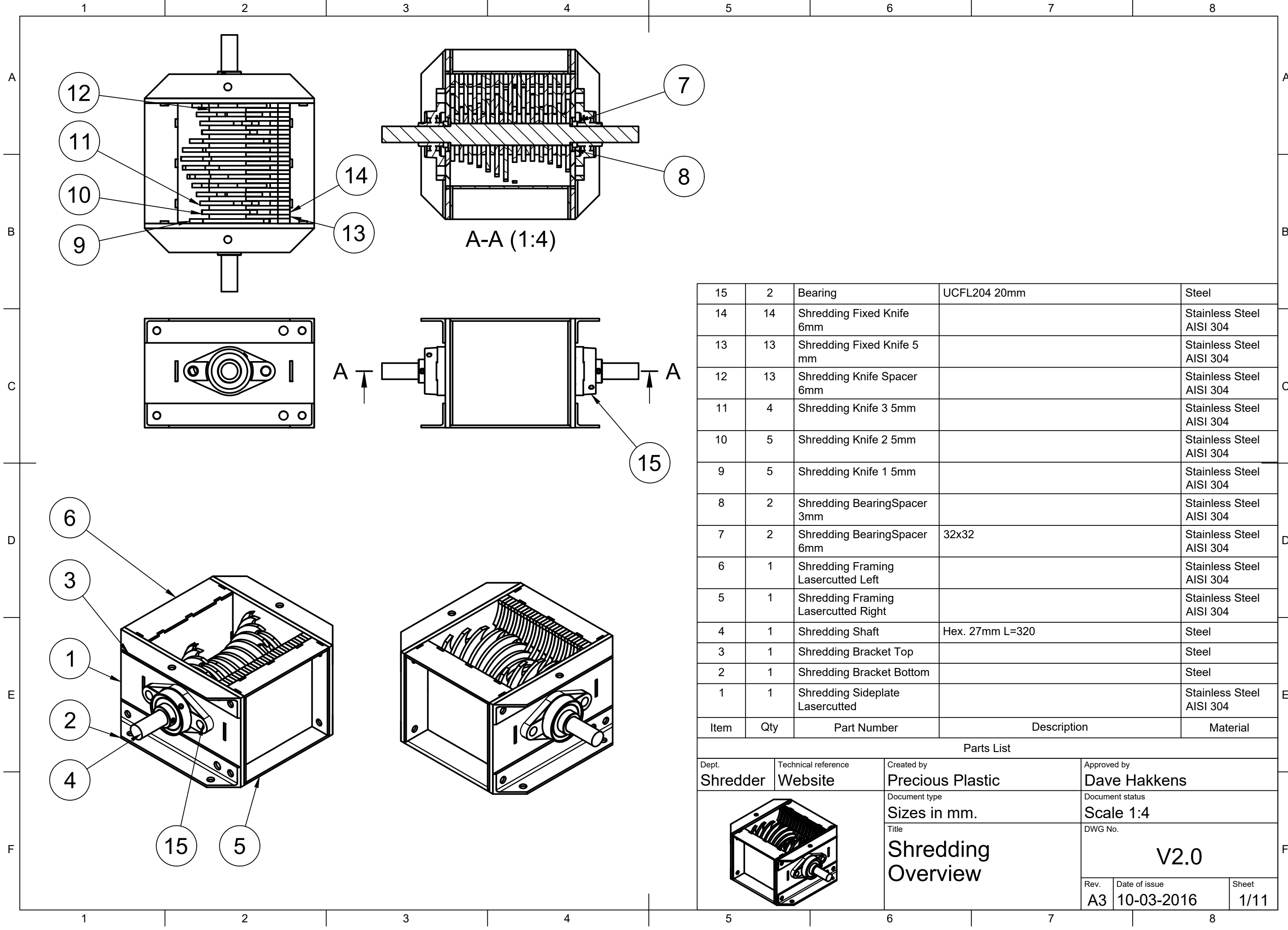


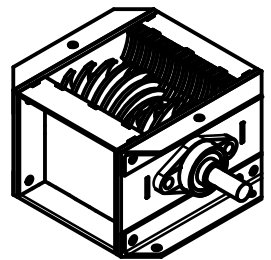
8	1	Geared Motor		
7	1	Motorcoupling		Steel
6	1	Wood	145x535 mm	Plywood, Sheathing
5	1	Hopper Assembled	01.04.23	Steel
4	1	Electronics Box		Steel
3	1	Framework	01.04.25	Steel
2	1	Shredding Sieve	01.04.10	Stainless Steel AISI 304
1	1	Shredding Overview		
Item	Qty	Part Number	Description	Material

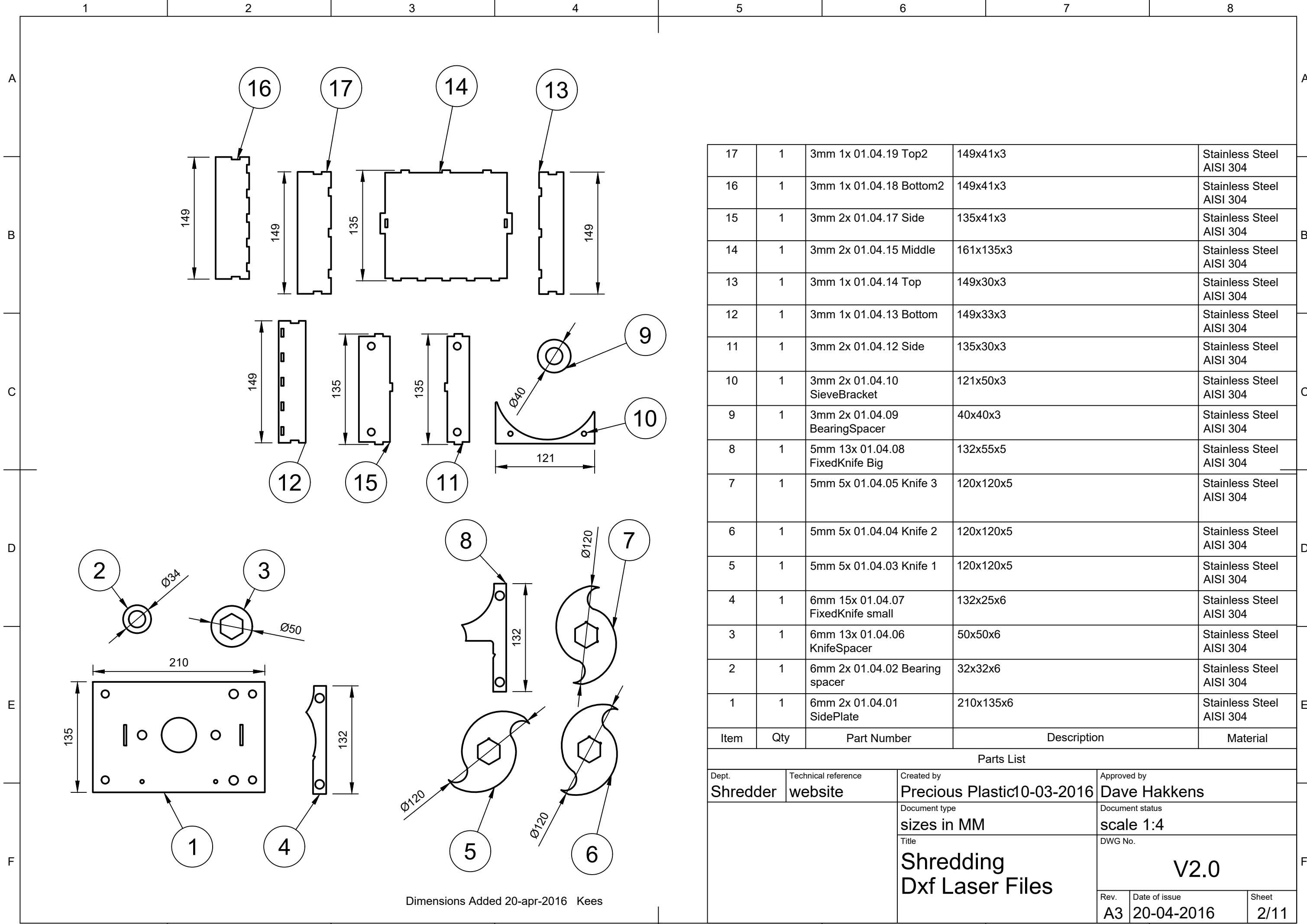
Parts List				
Dept. Shredder	Technical reference Website	Created by Precious Plastic	Approved by Dave Hakkens	
		Document type Sizes in mm.	Document status Scale 1:16 / 1:10	
		Title Shredder Overview	DWG No. V2.0	
Rev. A3	Date of issue Scale 1:?	Sheet 0/11		



15	2	Bearing	UCFL204 20mm	Steel
14	14	Shredding Fixed Knife 6mm		Stainless Steel AISI 304
13	13	Shredding Fixed Knife 5 mm		Stainless Steel AISI 304
12	13	Shredding Knife Spacer 6mm		Stainless Steel AISI 304
11	4	Shredding Knife 3 5mm		Stainless Steel AISI 304
10	5	Shredding Knife 2 5mm		Stainless Steel AISI 304
9	5	Shredding Knife 1 5mm		Stainless Steel AISI 304
8	2	Shredding BearingSpacer 3mm		Stainless Steel AISI 304
7	2	Shredding BearingSpacer 6mm	32x32	Stainless Steel AISI 304
6	1	Shredding Framing Lasercutted Left		Stainless Steel AISI 304
5	1	Shredding Framing Lasercutted Right		Stainless Steel AISI 304
4	1	Shredding Shaft	Hex. 27mm L=320	Steel
3	1	Shredding Bracket Top		Steel
2	1	Shredding Bracket Bottom		Steel
1	1	Shredding Sideplate Lasercutted		Stainless Steel AISI 304
Item	Qty	Part Number	Description	Material

Parts List

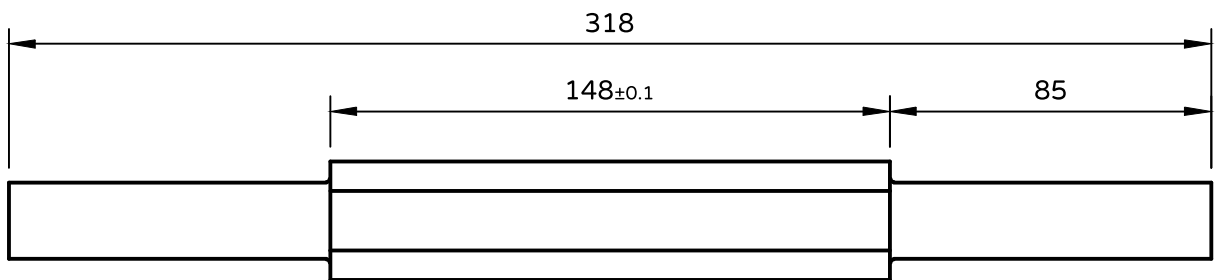
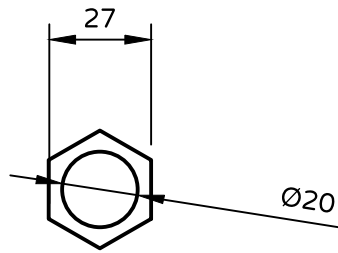
Dept. Shredder	Technical reference Website	Created by Precious Plastic	Approved by Dave Hakkens
		Document type Sizes in mm.	Document status Scale 1:4
		Title Shredding Overview	DWG No. V2.0
Rev. A3	Date of issue 10-03-2016	Sheet 1/11	

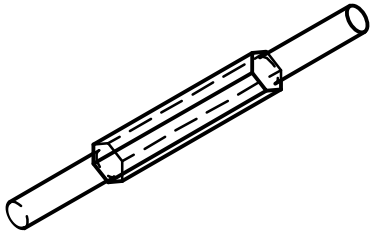


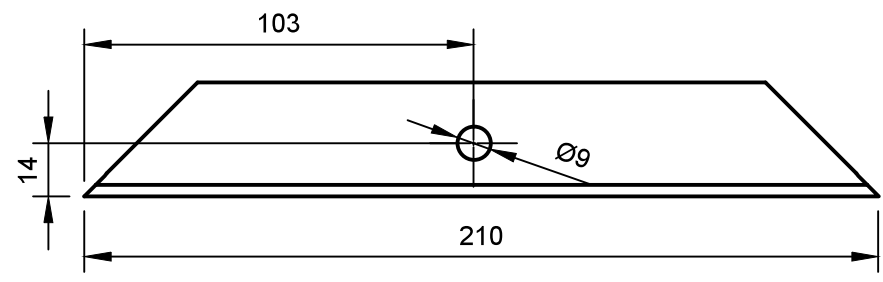
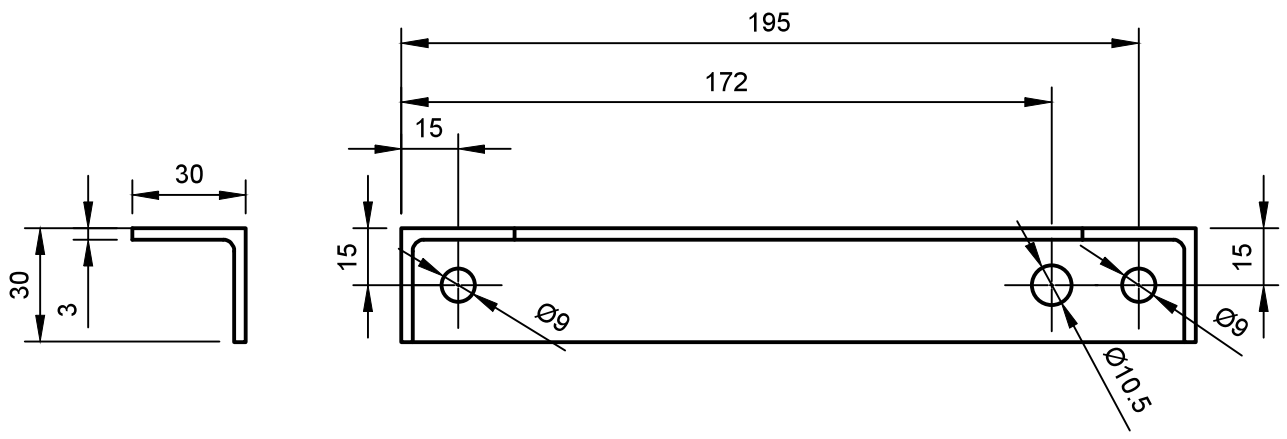
17	1	3mm 1x 01.04.19 Top2	149x41x3	Stainless Steel AISI 304
16	1	3mm 1x 01.04.18 Bottom2	149x41x3	Stainless Steel AISI 304
15	1	3mm 2x 01.04.17 Side	135x41x3	Stainless Steel AISI 304
14	1	3mm 2x 01.04.15 Middle	161x135x3	Stainless Steel AISI 304
13	1	3mm 1x 01.04.14 Top	149x30x3	Stainless Steel AISI 304
12	1	3mm 1x 01.04.13 Bottom	149x33x3	Stainless Steel AISI 304
11	1	3mm 2x 01.04.12 Side	135x30x3	Stainless Steel AISI 304
10	1	3mm 2x 01.04.10 SieveBracket	121x50x3	Stainless Steel AISI 304
9	1	3mm 2x 01.04.09 BearingSpacer	40x40x3	Stainless Steel AISI 304
8	1	5mm 13x 01.04.08 FixedKnife Big	132x55x5	Stainless Steel AISI 304
7	1	5mm 5x 01.04.05 Knife 3	120x120x5	Stainless Steel AISI 304
6	1	5mm 5x 01.04.04 Knife 2	120x120x5	Stainless Steel AISI 304
5	1	5mm 5x 01.04.03 Knife 1	120x120x5	Stainless Steel AISI 304
4	1	6mm 15x 01.04.07 FixedKnife small	132x25x6	Stainless Steel AISI 304
3	1	6mm 13x 01.04.06 KnifeSpacer	50x50x6	Stainless Steel AISI 304
2	1	6mm 2x 01.04.02 Bearing spacer	32x32x6	Stainless Steel AISI 304
1	1	6mm 2x 01.04.01 SidePlate	210x135x6	Stainless Steel AISI 304
Item	Qty	Part Number	Description	Material

Parts List				
Dept. Shredder	Technical reference website	Created by Precious Plastic10-03-2016	Approved by Dave Hakkens	
		Document type sizes in MM	Document status scale 1:4	
		Title Shredding Dxf Laser Files	DWG No. V2.0	
Rev. A3	Date of issue 20-04-2016	Sheet 2/11		

Dimensions Added 20-apr-2016 Kees



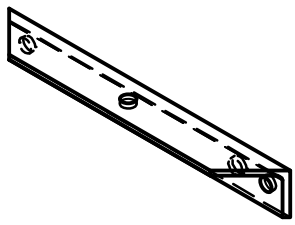
Dept. Shredding	Technical reference website	Created by Precious Plastic	Approved by Dave Hakkens	
		Document type sizes in MM	Document status scale 1:2	
		Title Shredding Axe	DWG No. V2.0	
		Rev. A4	Date of issue 10-03-2016	Sheet 3//11

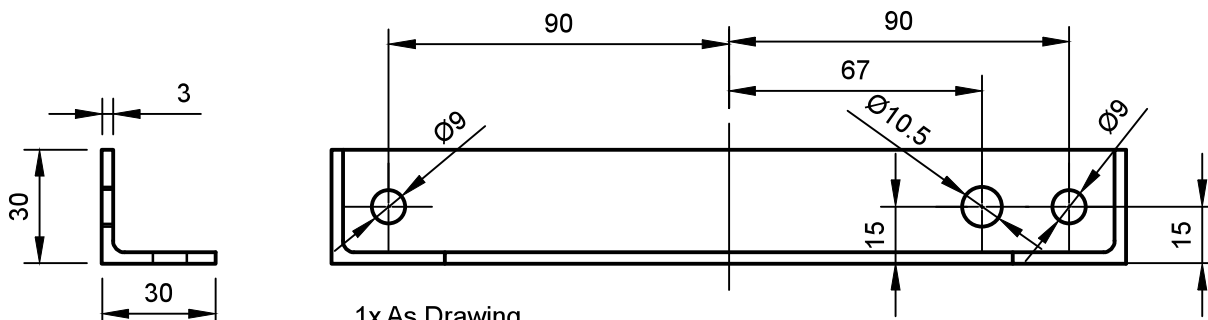
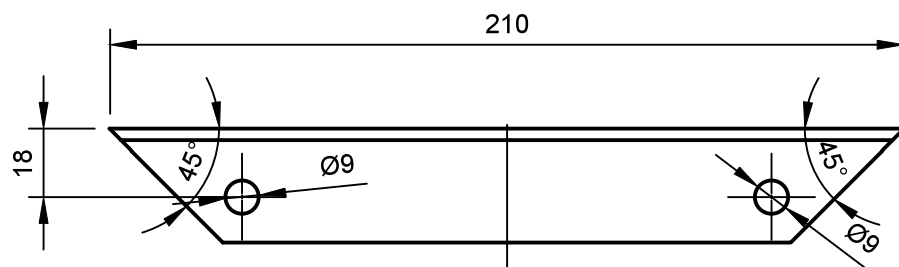


1x As Drawing
1x Mirrored

1	1	Angle 30x30x3 (1)	L=210	Steel
Item	Qty	Part Number	Description	Material

Parts List

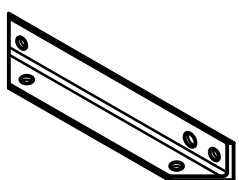
Dept. Shredding	Technical reference website	Created by Precious Plastic	Approved by Dave Hakkens	
		Document type sizes in MM	Document status scale 1:2	
		Title Shredding bracket top		DWG No. V2.0
		Rev. A4	Date of issue 10-03-2016	Sheet 4/11

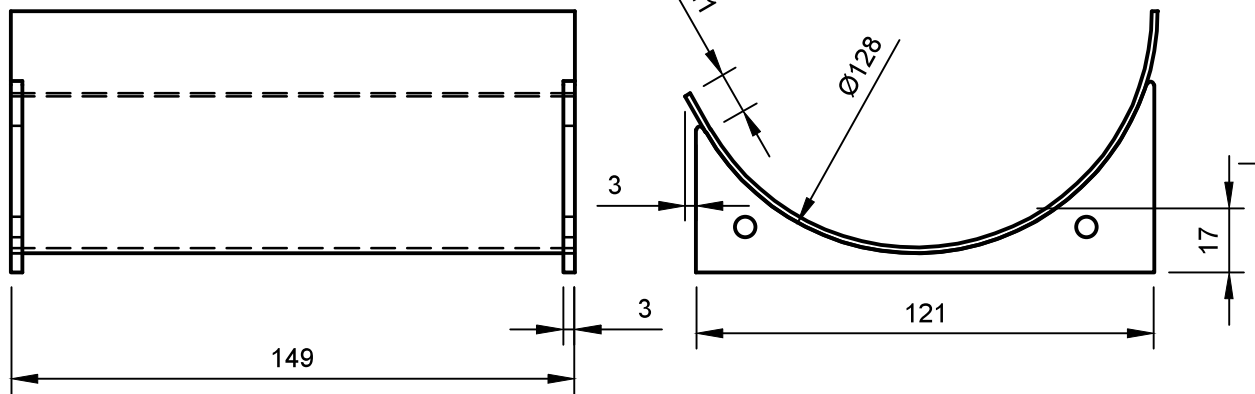
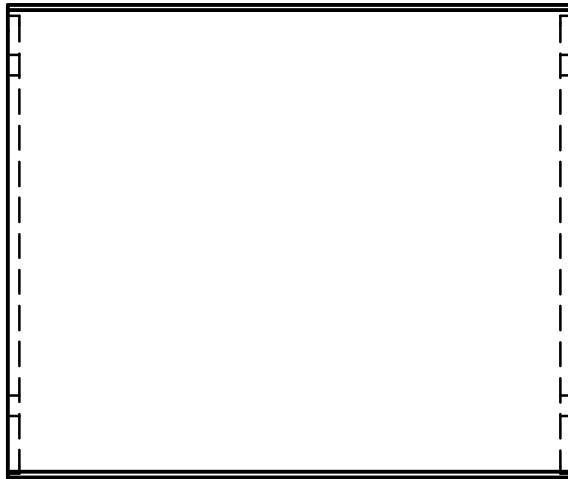


1x As Drawing
1x Mirrored

1	1	Angle 30x30x3	L=210	Steel
Item	Qty	Part Number	Description	Material

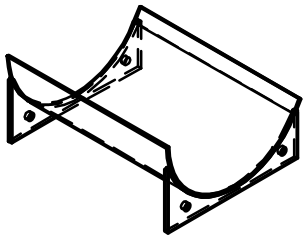
Parts List

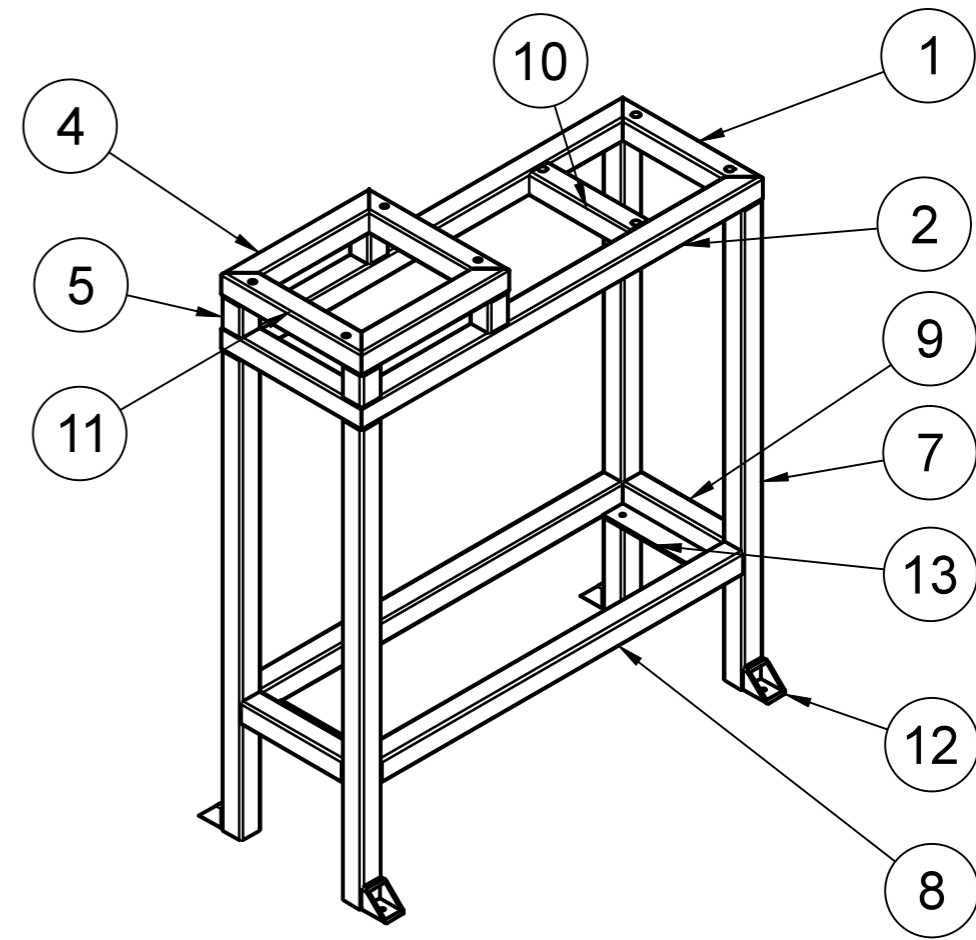
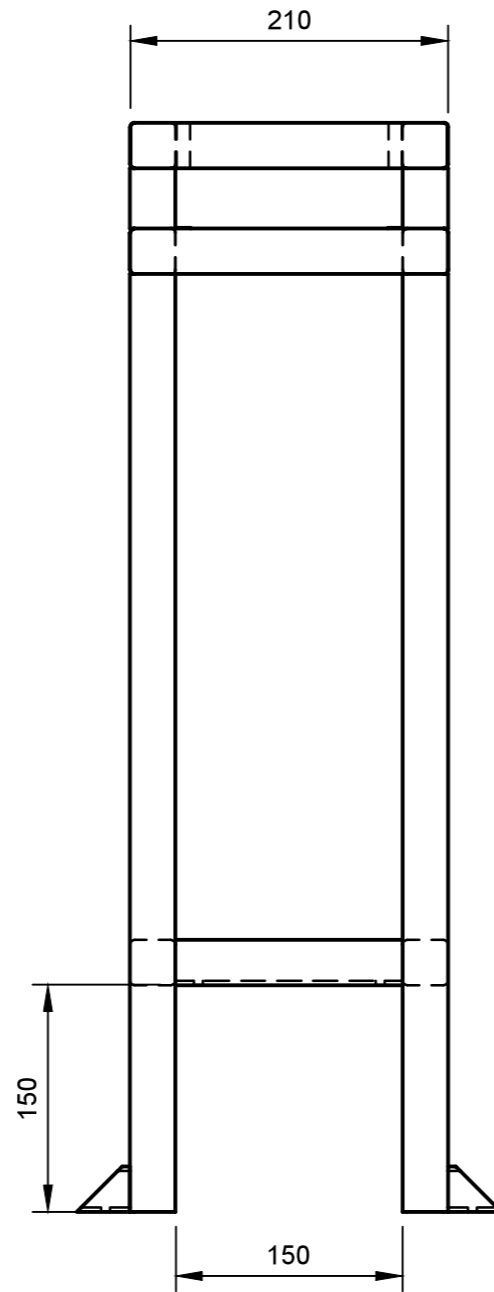
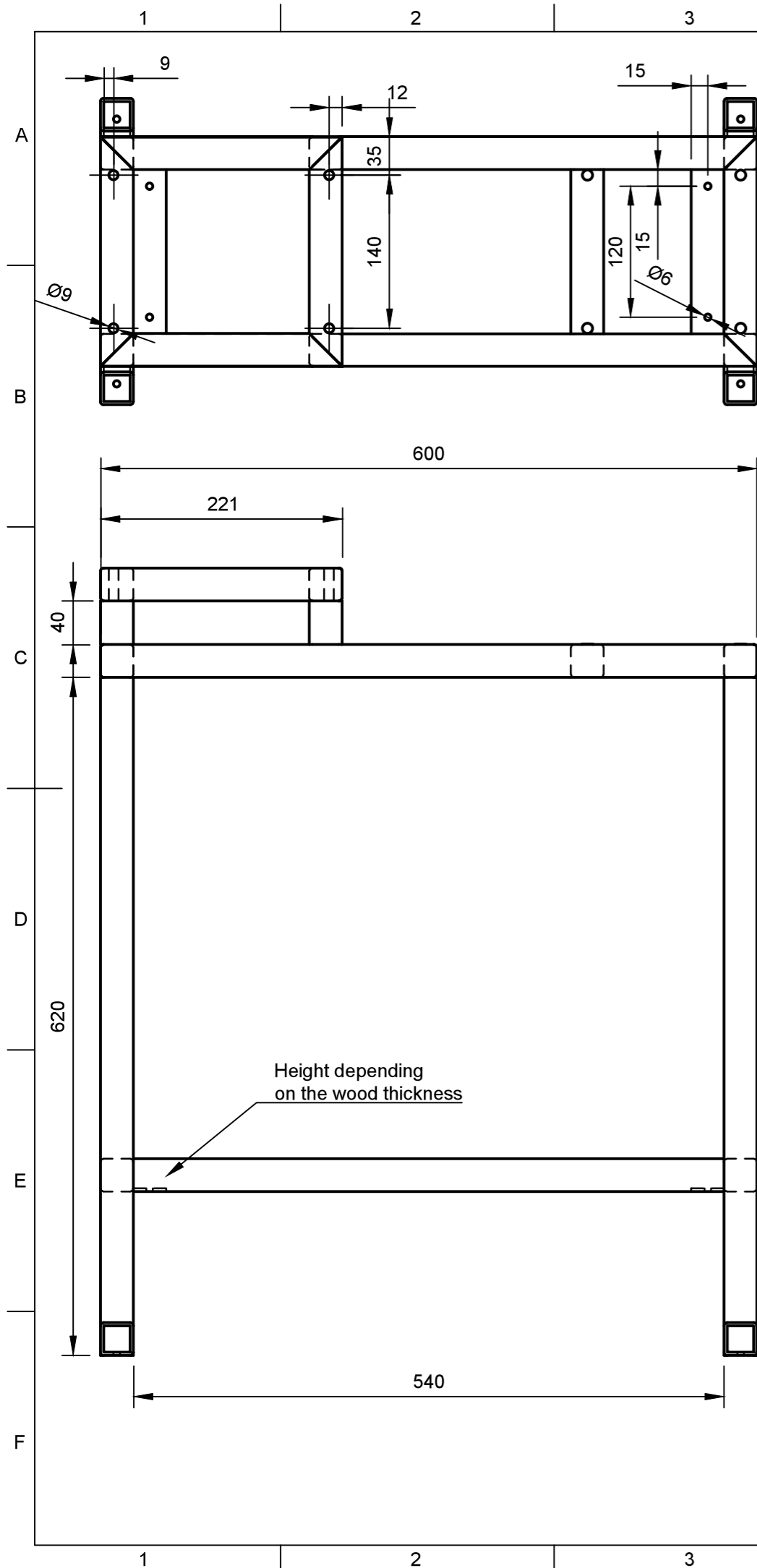
Dept. Shredder	Technical reference Website	Created by Precious Plastic	Approved by Dave Hakkens
	Document type sizes in mm	Document status scale 1:2	
	Title Shredding bracket bottom	DWG No. V2.0	
	Rev. A4	Date of issue 10-03-2016	Sheet 5/11



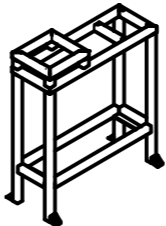
2	1	Sieve	149x180 x1.5	Stainless Steel AISI 304
1	2	Mountingplate	121x50x3	Stainless Steel AISI 304
Item	Qty	Part Number	Description	Material

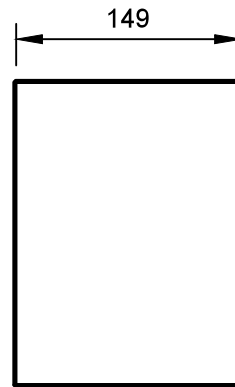
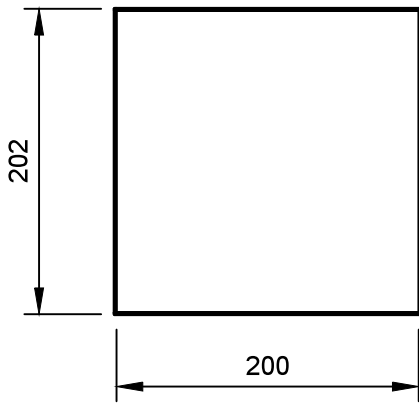
Parts List

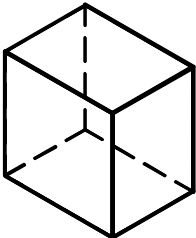
Dept. Shredder	Technical reference Website	Created by Precious Plastic	Approved by Dave Hakkens
		Document type sizes in mm	Document status scale 1:2
		Title Shredding sieve	DWG No. V2.0
Rev. A4	Date of issue 10-03-2016	Sheet 6/11	

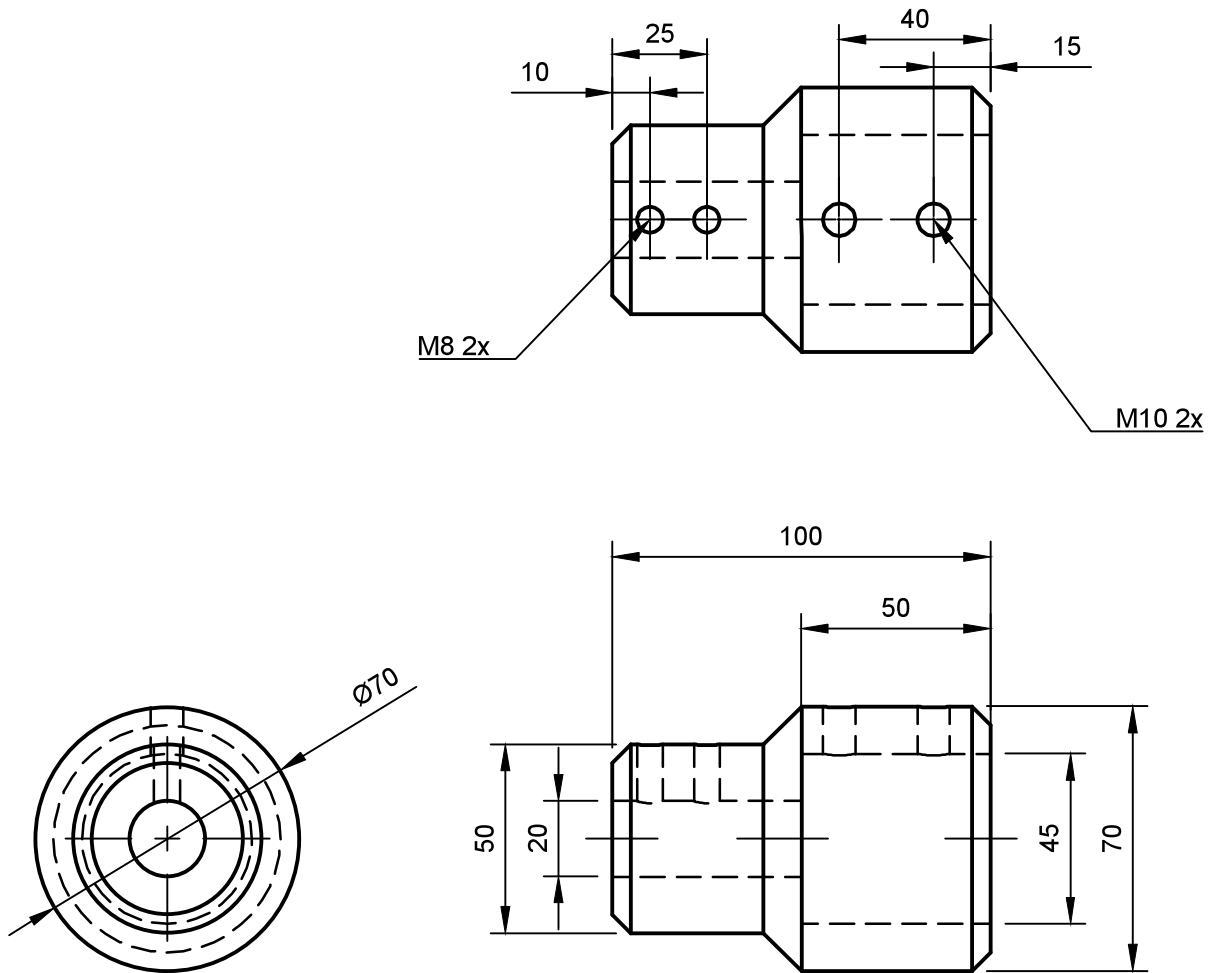


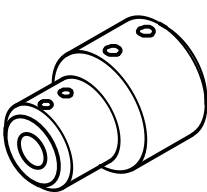
13	2	Flat 30x30x3	L=150	Steel
12	4	Tube 30x30x3 (6)	L=35	Steel
11	2	Tube 30x30x3	L=210	Steel
10	1	Tube 30x30x3 (4) (1)	L=150	Steel
9	2	Tube 30x30x3 (4)	L=150	Steel
8	2	Tube 30x30x3 (3)	L=540	Steel
7	4	Tube 30x30x3 (2) (2)	L=620	Steel
6	2	Tube 30x30x3 (2) (1)	L=40	Steel
5	2	Tube 30x30x3 (2)	L=40	Steel
4	2	Tube 30x30x3 (1) (1) (1)	L=221	Steel
2	2	Tube 30x30x3 (1)	L=600	Steel
1	2	Tube 30x30x3	L=210	Steel
Item	Qty	Part Number	Description	Material

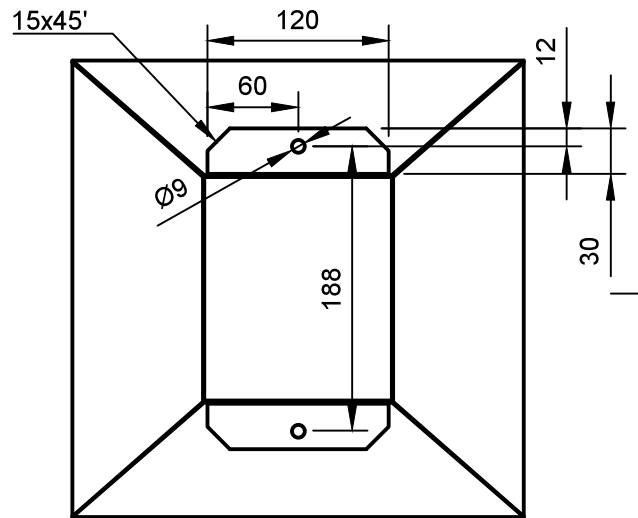
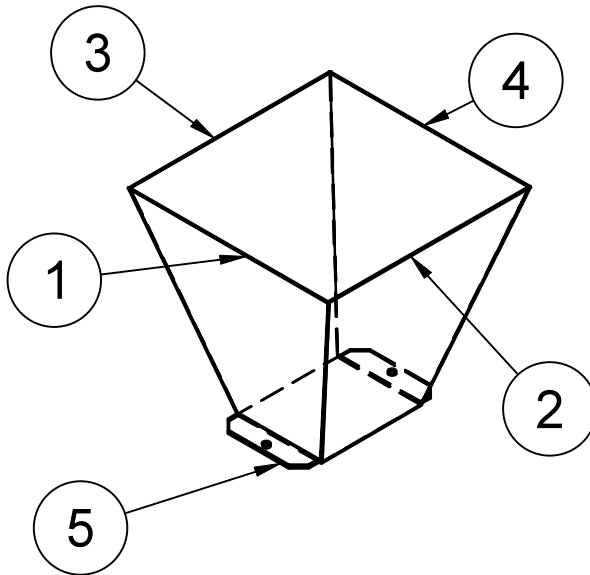
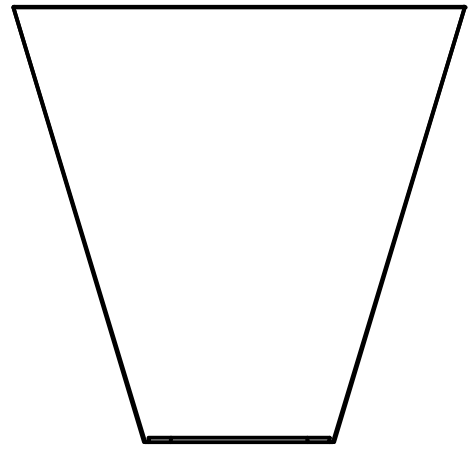
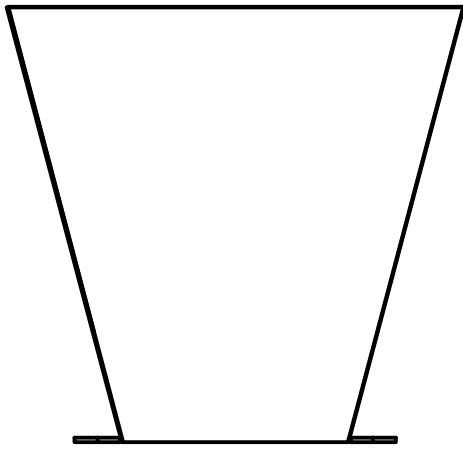
Parts List			
Dept. Shredder	Technical reference Website	Created by Precious Plastic	Approved by Dave Hakkens
		Document type sizes in mm	Document status scale 1:5
		Title Framework	DWG No. V2.0
Rev. A3	Date of issue 10-03-2016	Sheet 7/11	



Dept. Shredder	Technical reference Website	Created by Precious Plastic	Approved by Dave Hakkens
	Document type sizes in mm	Document status scale 1:5	
	Title Electronics Box	DWG No. V2.0	
	Rev. A4	Date of issue 10-03-2016	Sheet 8/11

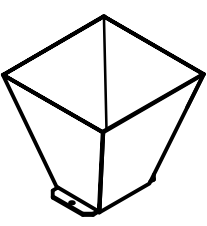


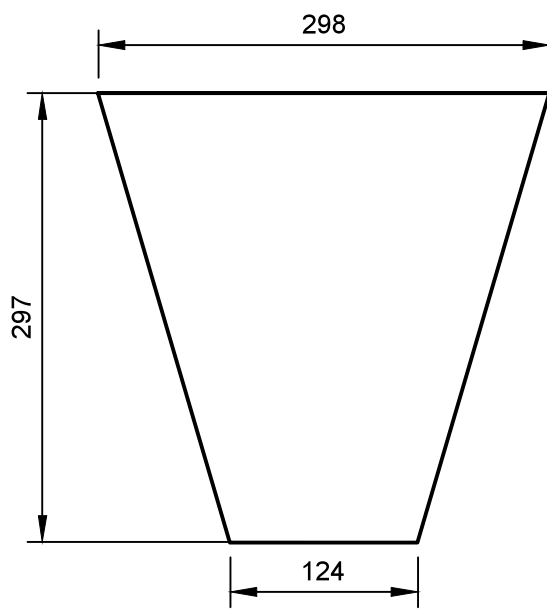
Dept. Shredder	Technical reference Website	Created by Precious Plastic	Approved by sizes in mm
	Document type sizes in mm	Document status scale 1:2	V2.0
	Title Electronics Motor connector 20->45 mm	DWG No.	
	Rev. A4	Date of issue 10-03-2016	Sheet 9/11



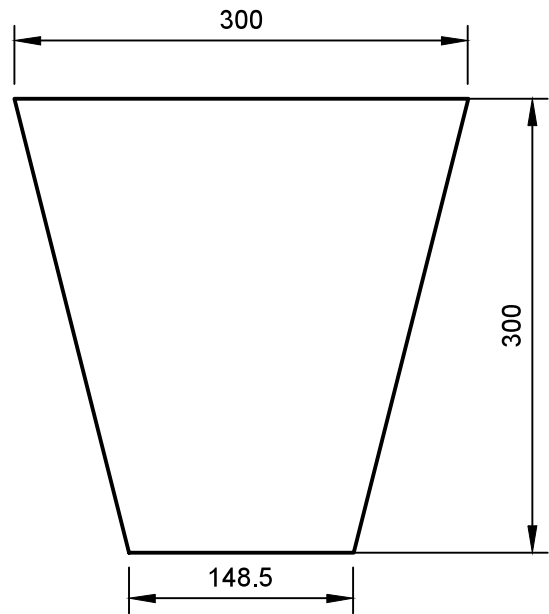
5	2	Bracket	Flat 30x30x3 L=120	Steel
4	1	Side(Mirror)	01.04.24	Steel
3	1	Front(Mirror)	01.04.24	Steel
2	1	Front	01.04.24	Steel
1	1	Side	01.04.24	Steel
Item	Qty	Part Number	Description	Material

Parts List

Dept. Shredder	Technical reference Website	Created by Precious Plastic	Approved by Dave Hakkens
		Document type sizes in mm	Document status scale 1:5
		Title Hopper Assembled	DWG No. V2.0
		Rev. A4	Date of issue 10-03-2016



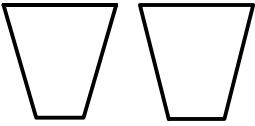
2x



2x

2	1	Front (1)	300x300x1mm	Steel
1	1	Side (1)	298x297x1mm	Steel
Item	Qty	Part Number	Description	Material

Parts List

Dept. Shredder	Technical reference Website	Created by Precious Plastic	Approved by Dave Hakkens
		Document type sizes in mm	Document status scale 1:5
		Title Hopper Sheets	DWG No. V2.0
Rev. A4	Date of issue 10-03-2016	Sheet 11/11	