

D

D

C

C

B

B

A

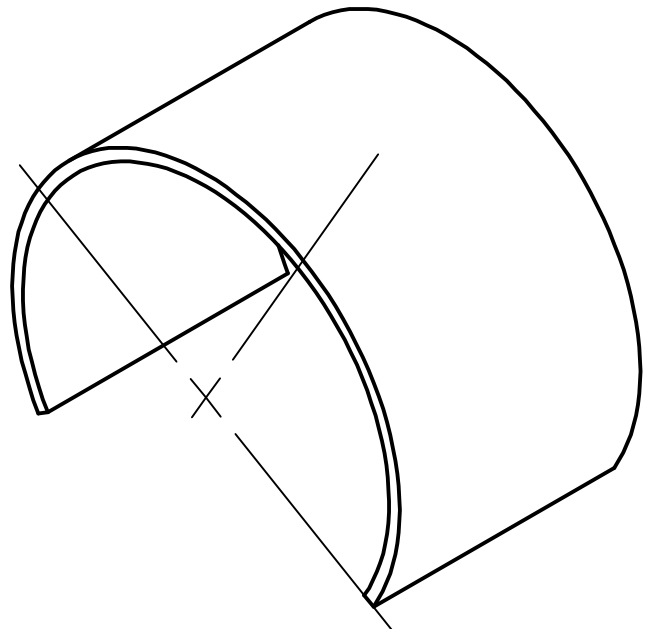
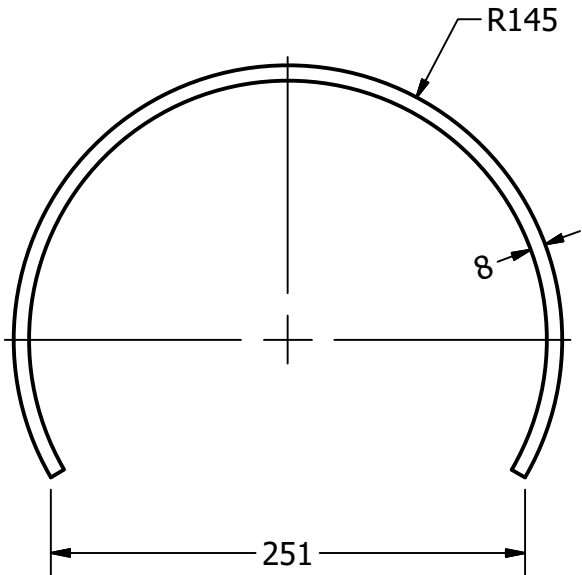
A


2

1

2

1



Proyect Small water turbine		Created by D. Mosquera		Approved by D. Jeager	
Part Name front flange		Part Code 3.3		Document Type part	
Redesigned by  OPEN SOURCE ECOLOGY GERMANY	Original drawing from Practical ACTION		License CERN-OHL		File Name oseg_swt_curve-plate.ipt
					Scale 1 / 4
					Sheet 14
					Date 18.01.21