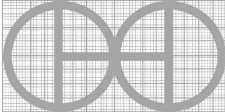
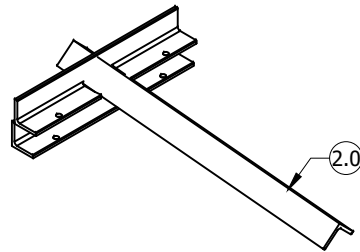
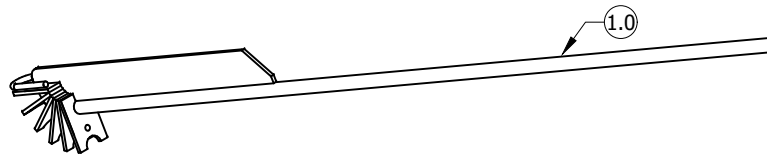
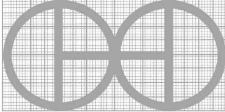


Note: All units in mm.

PROJECT	CREATED BY	APPROVED BY	DATE	VERSION
Pipe Bending Tool	J. Laffont	A. Morillo	14/06/2021	1.0
PART NAME	FILE NAME			POS
3d views	Pipe Bending Tool			A1
DEVELOPED BY	REDESIGNED BY	DOC. TYPE	MATERIAL	QUANTITY
		Assembly		1
Practical action	OHO e.V.	LICENCE	SCALE	SHEET
		CC-BY-SA 4.0	1/10	1/12

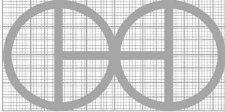


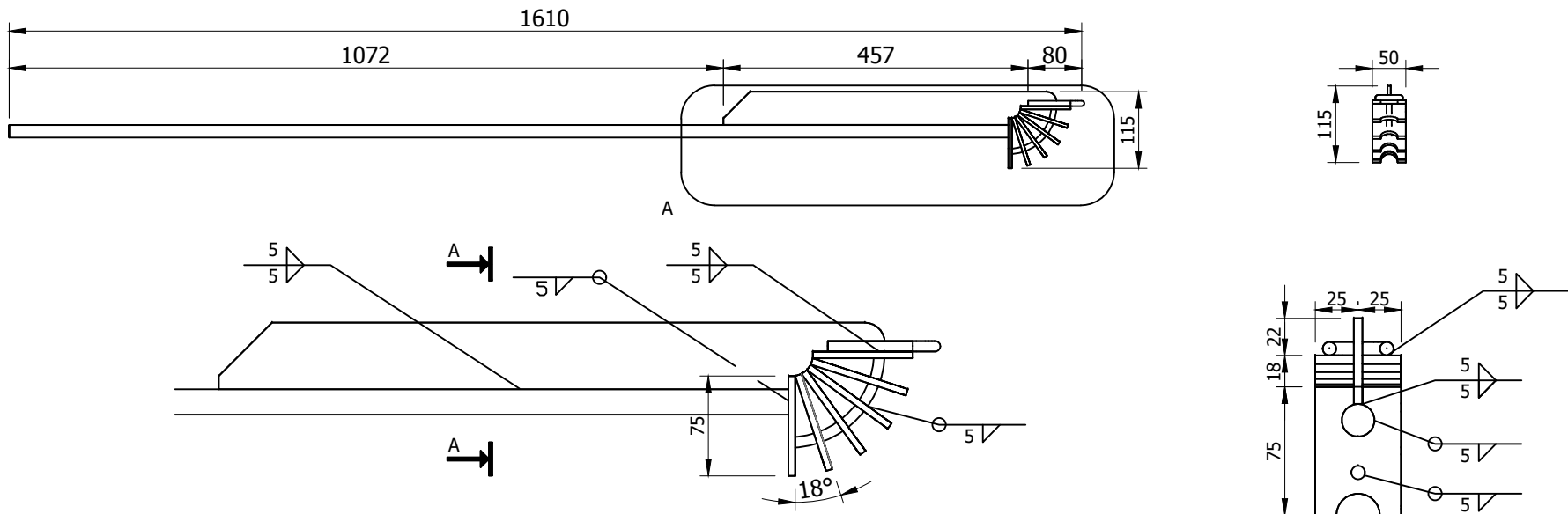
Note: All units in mm.

PROJECT	CREATED BY	APPROVED BY	DATE	VERSION
Pipe Bending Tool	J. Laffont	A. Morillo	14/06/2021	1.0
PART NAME	FILE NAME			POS
Exploded 3D view	Pipe Bending Tool			A2
DEVELOPED BY	REDESIGNED BY	DOC. TYPE	MATERIAL	QUANTITY
		Assembly		1
Practical action	OHO e.V.	LICENCE	SCALE	SHEET
		CC-BY-SA 4.0	1/10	2/12

PART LIST						1	
POS	POS.OLD	QTY	PART NAME	PART CODE	PART TYPE	SPECIFICATIONS	SHEET
A1		1	3d views	A1			1
A2		1	Exploded 3d view	A2			2
B1		1	Parts list	B1			3
1.0		1	Bending arm	1.0			4
1.1		6	Bend die	1.1	Production	From flat bar 50*5, Steel A36	5
1.2		1	Die rod	1.2	Production	D8*120, Steel A36	6
1.3		1	Handle	1.3	Production	EN 10210-2 - 25 x 25 x 2, Steel A36	7
1.4		1	Stiffener	1.4	Production	Flat bar 50*5, Steel A36	8
1.5		1	Shackle	1.5	Buy	DIN 8063 Bonded MGA 25	9
2.0		1	Clamp	2.0			10
2.1		1	Guide angle	2.1	Production	EN 10025-2 – 40*40*5, Steel A36	11
2.2		1	Top angle	2.2	Production	EN 10025-2 – 40*40*5, Steel A36	12
2.3		1	Base angle	2.3	Production	EN 10025-2 – 40*40*5, Steel A36	13
2.4		1	Clamp bolts	2.4	Standard	Hex M8*30	
2.5		1	Clamp nuts	2.5	Standard	Hex M8	

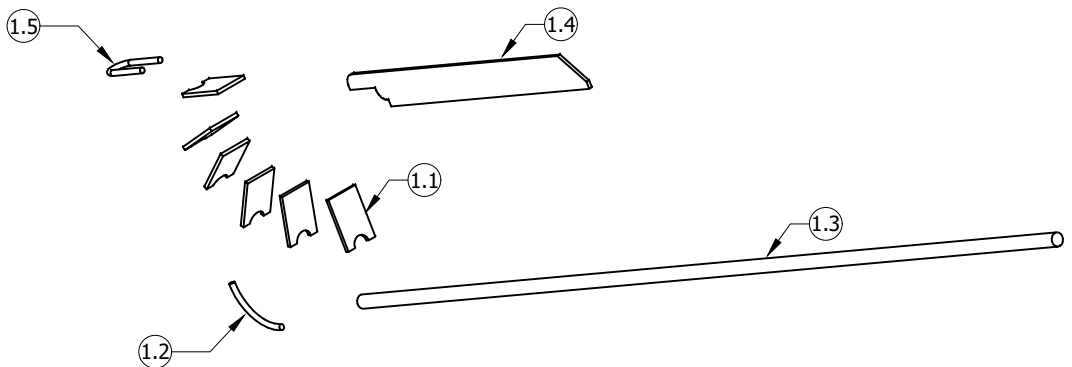
Note: All units in mm.

PROJECT	CREATED BY	APPROVED BY	DATE	VERSION
Pipe Bending Tool	J. Laffont	A. Morillo	14/06/2021	1.0
PART NAME	FILE NAME			POS
Parts list	Pipe Bending Tool			B1
DEVELOPED BY	REDESIGNED BY	DOC. TYPE	MATERIAL	QUANTITY
		Part list		1
Practical action	OHO e.V.	LICENCE	SCALE	SHEET
		CC-BY-SA 4.0		3/12

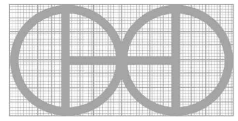


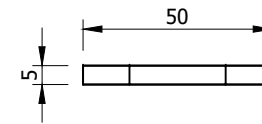
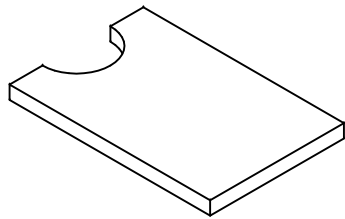
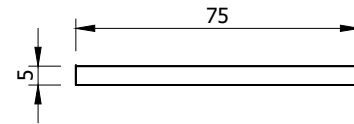
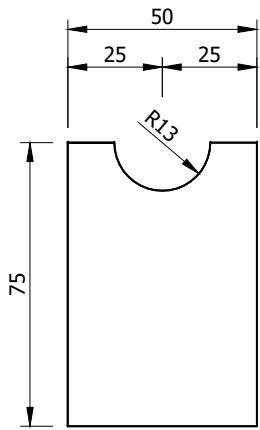
A (1:5)

A-A (1:5)

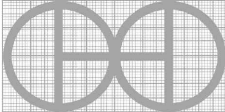


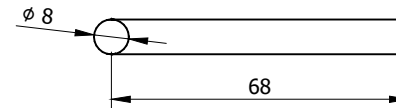
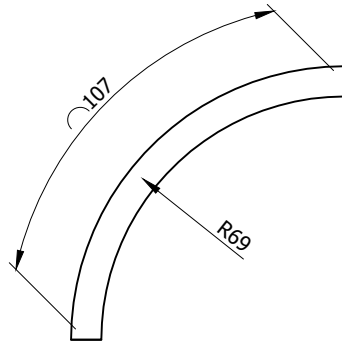
Note: All units in mm.

PROJECT	CREATED BY	APPROVED BY	DATE	VERSION
Pipe Bending Tool	J. Laffont	A. Morillo	14/06/2021	1.0
PART NAME	FILE NAME			POS
Bending arm	Pipe Bending Tool			1.0
DEVELOPED BY	REDESIGNED BY	DOC. TYPE	MATERIAL	QUANTITY
		Assembly		1
Pratical action	OHO e.V.	LICENCE	SCALE	SHEET
		CC-BY-SA 4.0	1/10	4/12

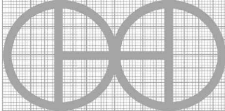


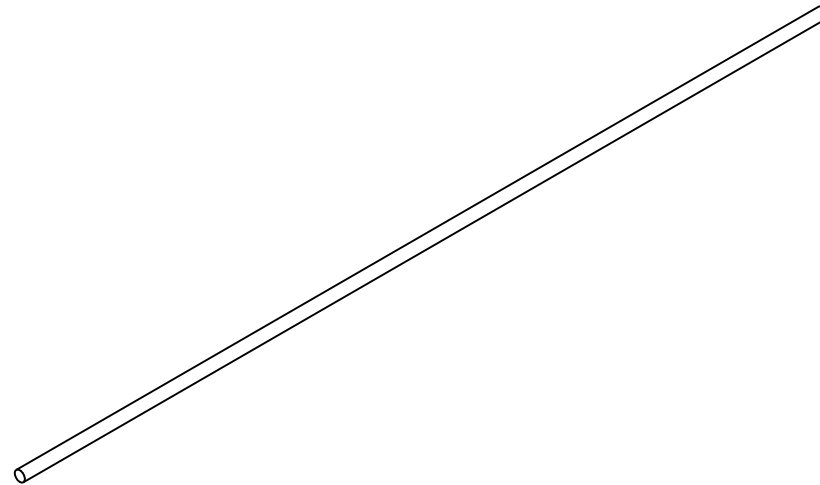
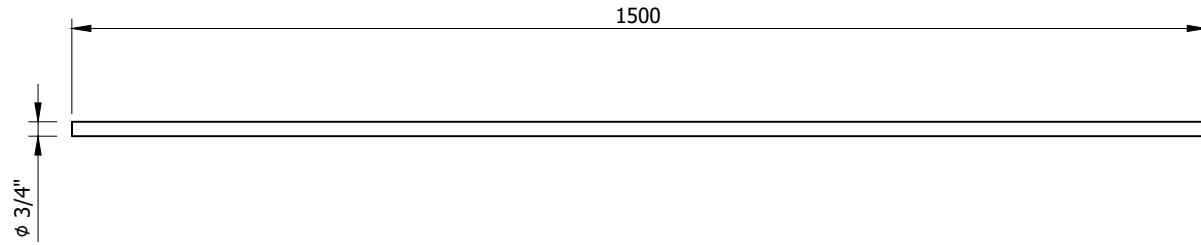
Note: All units in mm.

PROJECT	CREATED BY	APPROVED BY	DATE	VERSION
Pipe Bending Tool	J. Laffont	A. Morillo	14/06/2021	1.0
PART NAME	FILE NAME	POS		
Bend die	Pipe Bending Tool	1.1		
DEVELOPED BY	REDESIGNED BY	DOC. TYPE	MATERIAL	QUANTITY
Practical action	 OHO e.V.	Part	Steel A36	6
		LICENCE	SCALE	SHEET
		CC-BY-SA 4.0	1/2	5/12

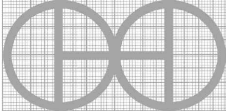


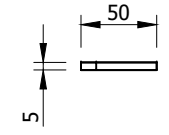
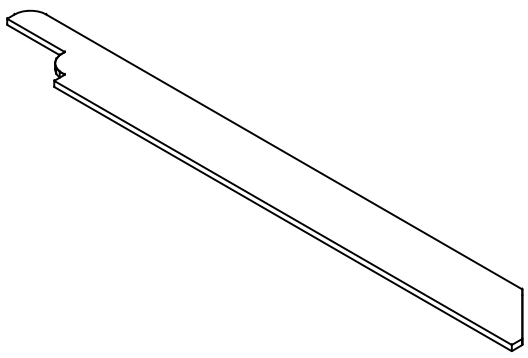
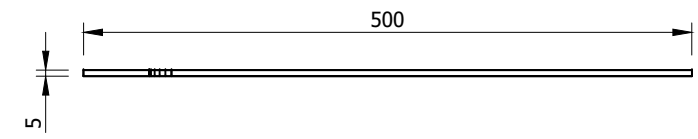
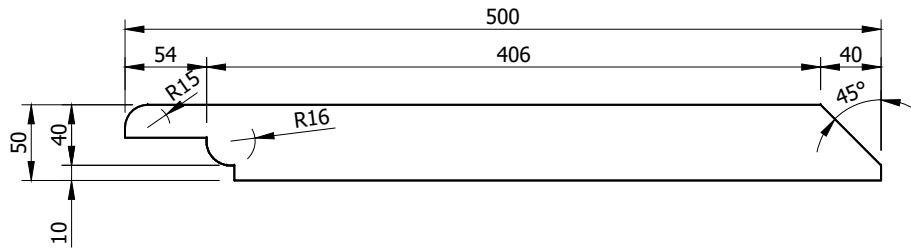
Note: All units in mm.

PROJECT	CREATED BY	APPROVED BY	DATE	VERSION
Pipe Bending Tool	J. Laffont	A. Morillo	14/06/2021	1.0
PART NAME	FILE NAME			POS
Die rod	Pipe Bending Tool			1.2
DEVELOPED BY	REDESIGNED BY	DOC. TYPE	MATERIAL	QUANTITY
Practical action	 OHO e.V.	Part	Steel A36	1
		LICENCE	SCALE	SHEET
		CC-BY-SA 4.0	1/2	6/12

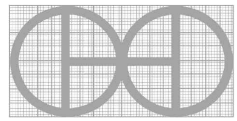


Note: All units in mm.

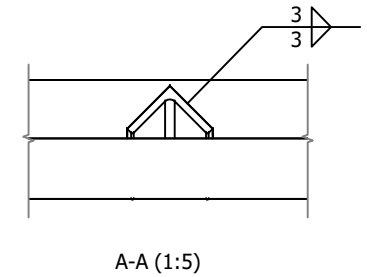
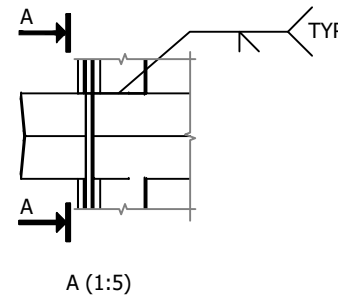
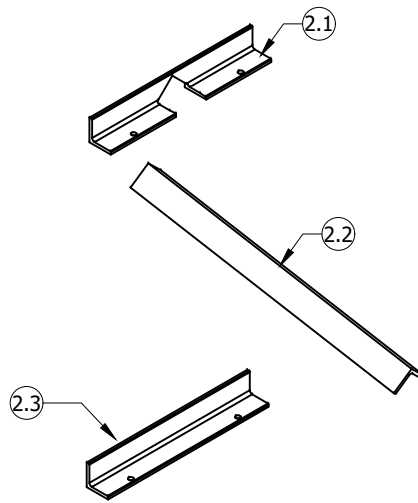
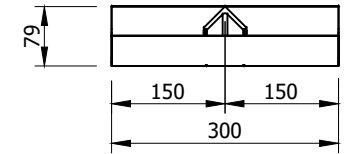
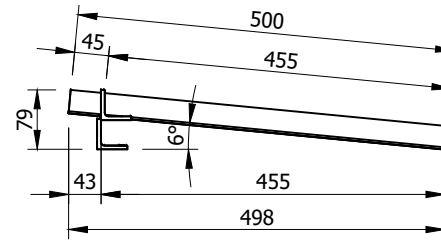
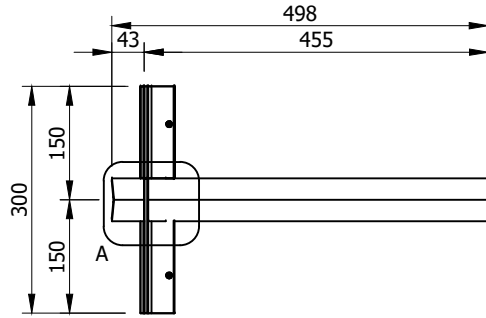
PROJECT	CREATED BY	APPROVED BY	DATE	VERSION
Pipe Bending Tool	J. Laffont	A. Morillo	14/06/2021	1.0
PART NAME	FILE NAME			POS
Handle	Pipe Bending Tool			1.3
DEVELOPED BY	REDESIGNED BY	DOC. TYPE	MATERIAL	QUANTITY
		Part	Steel A36	1
Practical action	OHO e.V.	LICENCE	SCALE	SHEET
		CC-BY-SA 4.0	1/10	7/12



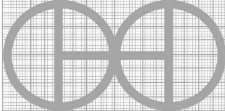
Note: All units in mm.

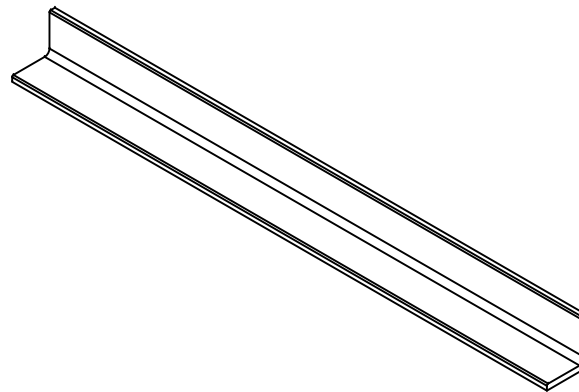
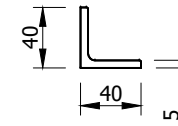
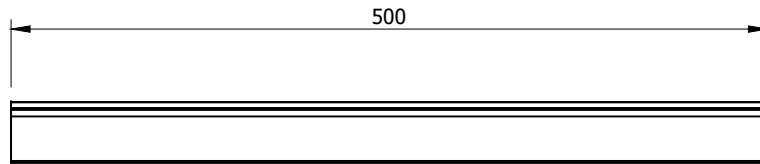
PROJECT	CREATED BY	APPROVED BY	DATE	VERSION
Pipe Bending Tool	J. Laffont	A. Morillo	14/06/2021	1.0
PART NAME	FILE NAME	POS		
Stiffener	Pipe Bending Tool	1.4		
DEVELOPED BY	REDESIGNED BY	DOC. TYPE	MATERIAL	QUANTITY
Pratical action	 OHO e.V.	Part	Steel A36	1
		LICENCE	SCALE	SHEET
		CC-BY-SA 4.0	1/5	8/12



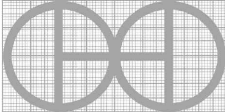


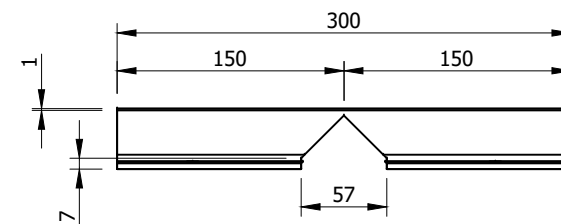
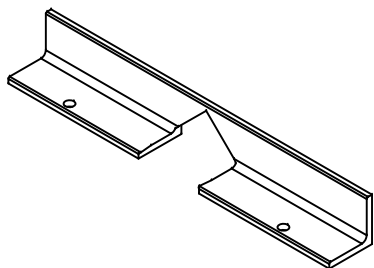
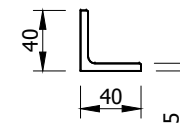
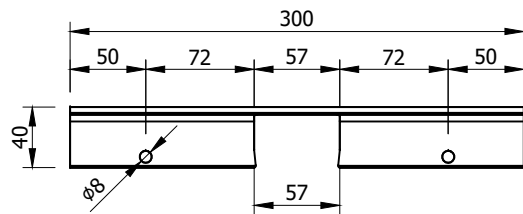
Note: All units in mm.

PROJECT	CREATED BY	APPROVED BY	DATE	VERSION
Pipe Bending Tool	J. Laffont	A. Morillo	14/06/2021	1.0
PART NAME	FILE NAME			POS
Clamp	Pipe Bending Tool			2.0
DEVELOPED BY	REDESIGNED BY	DOC. TYPE	MATERIAL	QUANTITY
		Assembly		1
Practical action	OHO e.V.	LICENCE	SCALE	SHEET
		CC-BY-SA 4.0	1/10	9/12

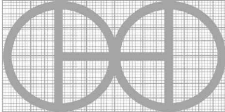


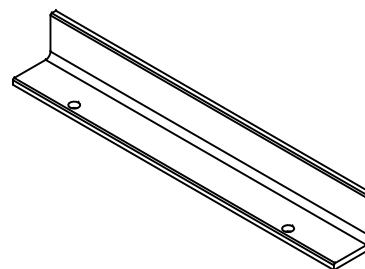
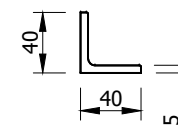
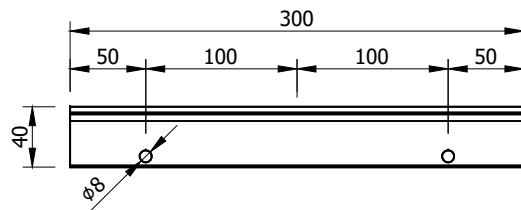
Note: All units in mm.

PROJECT	CREATED BY	APPROVED BY	DATE	VERSION
Pipe Bending Tool	J. Laffont	A. Morillo	14/06/2021	1.0
PART NAME	FILE NAME			POS
Guide angle	Pipe Bending Tool			2.1
DEVELOPED BY	REDESIGNED BY	DOC. TYPE	MATERIAL	QUANTITY
		Part	Steel A36	1
Practical action	OHO e.V.	LICENCE	SCALE	SHEET
		CC-BY-SA 4.0	1/5	10/12

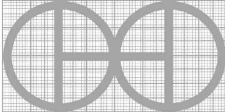


Note: All units in mm.

PROJECT	CREATED BY	APPROVED BY	DATE	VERSION
Pipe Bending Tool	J. Laffont	A. Morillo	14/06/2021	1.0
PART NAME	FILE NAME	POS		
Top angle	Pipe Bending Tool	2.2		
DEVELOPED BY	REDESIGNED BY	DOC. TYPE	MATERIAL	QUANTITY
		Part	Steel A36	1
Practical action	OHO e.V.	LICENCE	SCALE	SHEET
		CC-BY-SA 4.0	1/5	11/12



Note: All units in mm.

PROJECT	CREATED BY	APPROVED BY	DATE	VERSION
Pipe Bending Tool	J. Laffont	A. Morillo	14/06/2021	1.0
PART NAME	FILE NAME			POS
Base angle	Pipe Bending Tool			2.3
DEVELOPED BY	REDESIGNED BY	DOC. TYPE	MATERIAL	QUANTITY
Practical action	 OHO e.V.	Part	Steel A36	1
		LICENCE	SCALE	SHEET
		CC-BY-SA 4.0	1/5	12/12