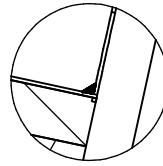
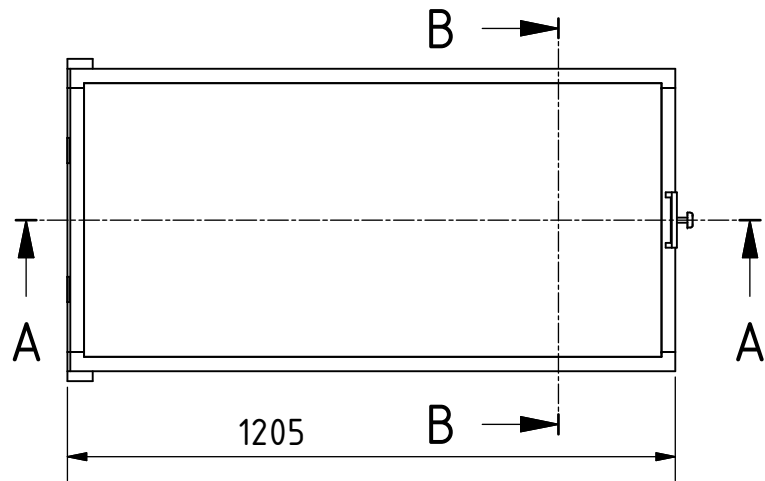
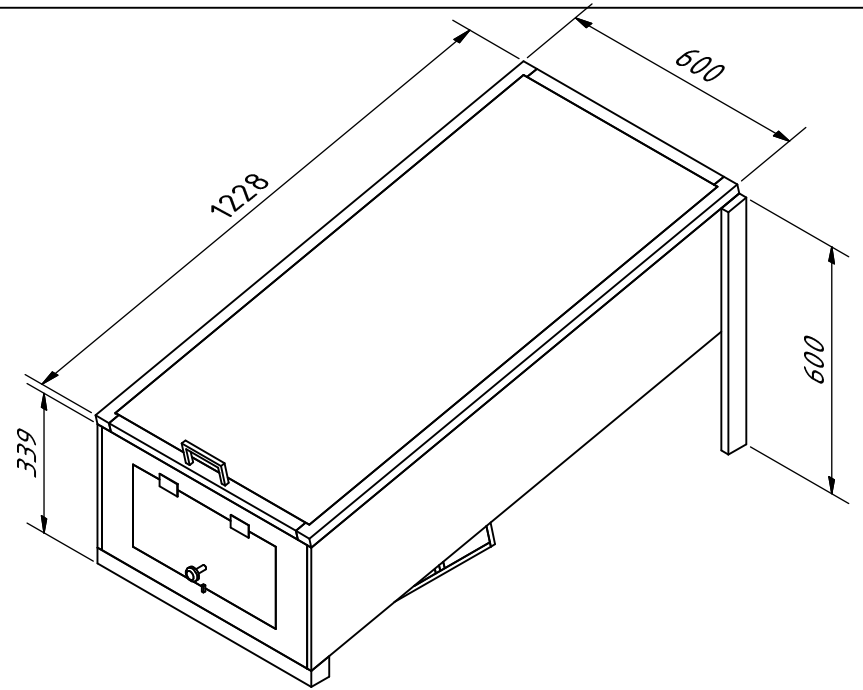
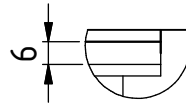


C (0.5 : 1)

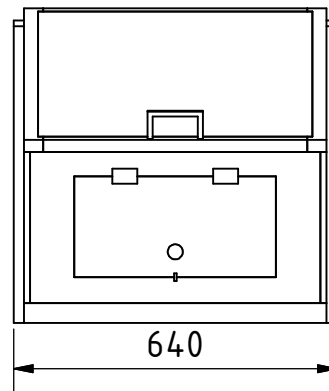


D (0.5 : 1)

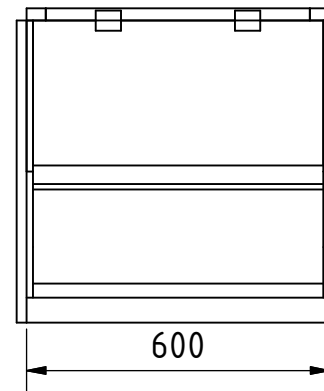


A-A

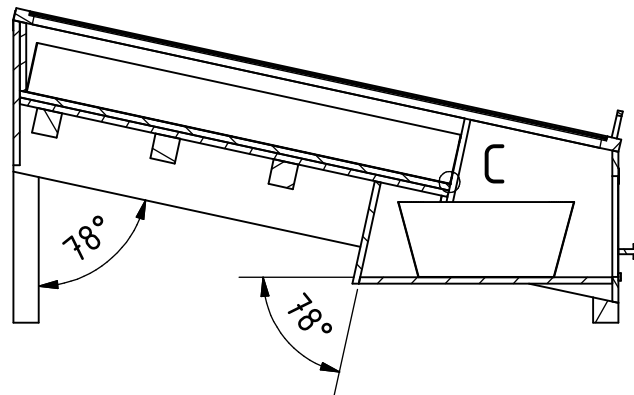
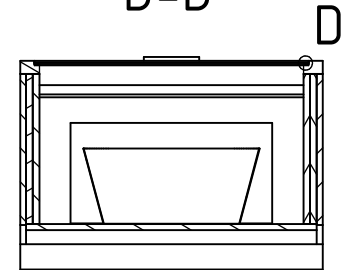
Front



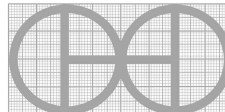
Back



B-B



Note: All units in mm.

PROJECT	CREATED BY	APPROVED BY	DATE	VERSION
Solar Wax Melter	J. Zeron	A. Morillo	10/08/2021	1.0
PART NAME	FILE NAME			POS
3d views	uoc_swm_solar-wax-melter.iam			A1
DEVELOPED BY	REDESIGNED BY	DOC. TYPE	MATERIAL	QUANTITY
		Assembly		
University of California	OHO e.V.	LICENCE	SCALE	SHEET
		CC-BY-SA 4.0	1:15	1 / 17