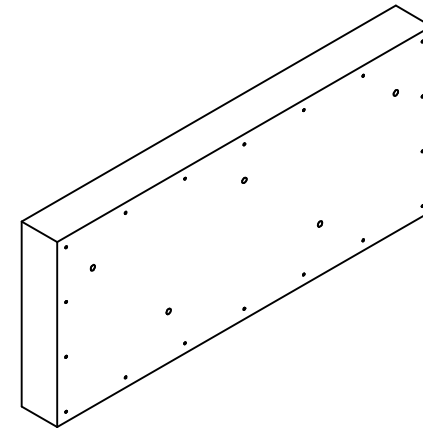
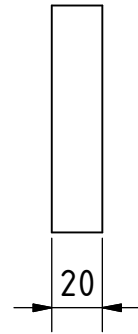
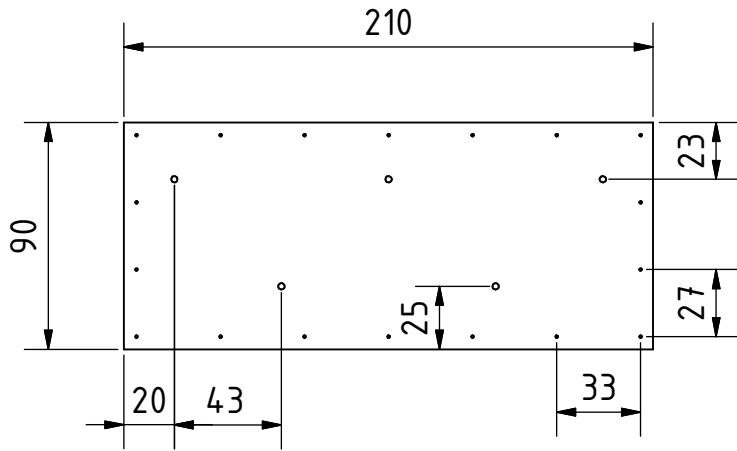
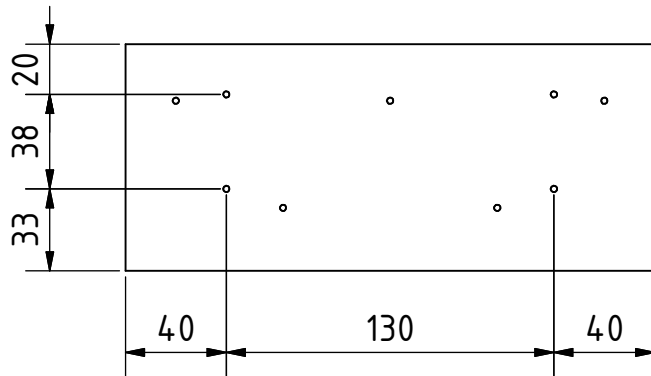


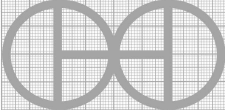
FRONT (1 : 3)



BACK (1 : 3)



Note: All units in mm.

PROJECT	CREATED BY	APPROVED BY	DATE	VERSION
Hay Manger	J. Zeron	A. Morillo	31/07/2021	1.0
PART NAME	FILE NAME			POS
Base	Base.ipt			1
DEVELOPED BY	REDESIGNED BY	DOC. TYPE	MATERIAL	QUANTITY
		Part	Kiln dried wood	2
Christian Veterinary Mission	OHO e.V.	LICENCE	SCALE	SHEET
		CC-BY-SA 4.0	1:3	5 /14