
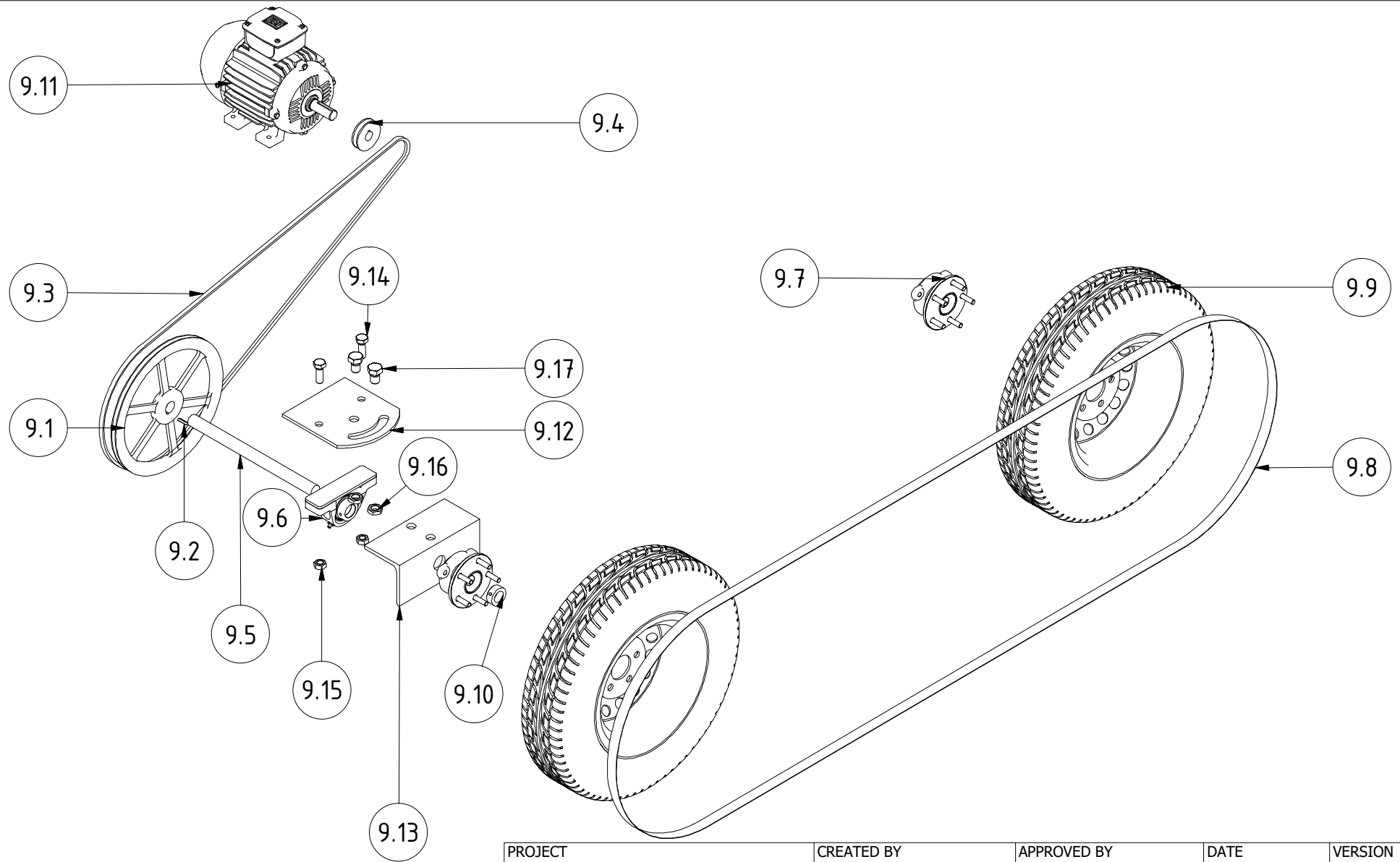



Note: All units in mm.

PROJECT	CREATED BY	APPROVED BY	DATE	VERSION
Bandsaw mill	J. Rosciano	A. Morillo	11/09/2021	1.1
PART NAME	FILE NAME			POS
Drive assembly	Drive assembly.iam			9.0
PUBLISHED BY	DOC. TYPE	MATERIAL		QUANTITY
 <b>OPEN HARDWARE OBSERVATORY</b> Free Blueprints for Sustainable Development	Assembly			1
	LICENCE	SCALE		SHEET
OHO e.V.	CC-BY-SA 4.0	1/15		66 /71



PROJECT	CREATED BY	APPROVED BY	DATE	VERSION
Bandsaw mill	J. Rosciano	A. Morillo	11/09/2021	1.1
PART NAME	FILE NAME	POS		
Drive assembly	Drive assembly.ipn	9.0		
PUBLISHED BY	DOC. TYPE	MATERIAL	QUANTITY	
 <b>OPEN HARDWARE OBSERVATORY</b> Free Blueprints for Sustainable Development	Assembly		1	
	LICENCE	SCALE	SHEET	
OHO e.V.	CC-BY-SA 4.0	1/11	67 /71	