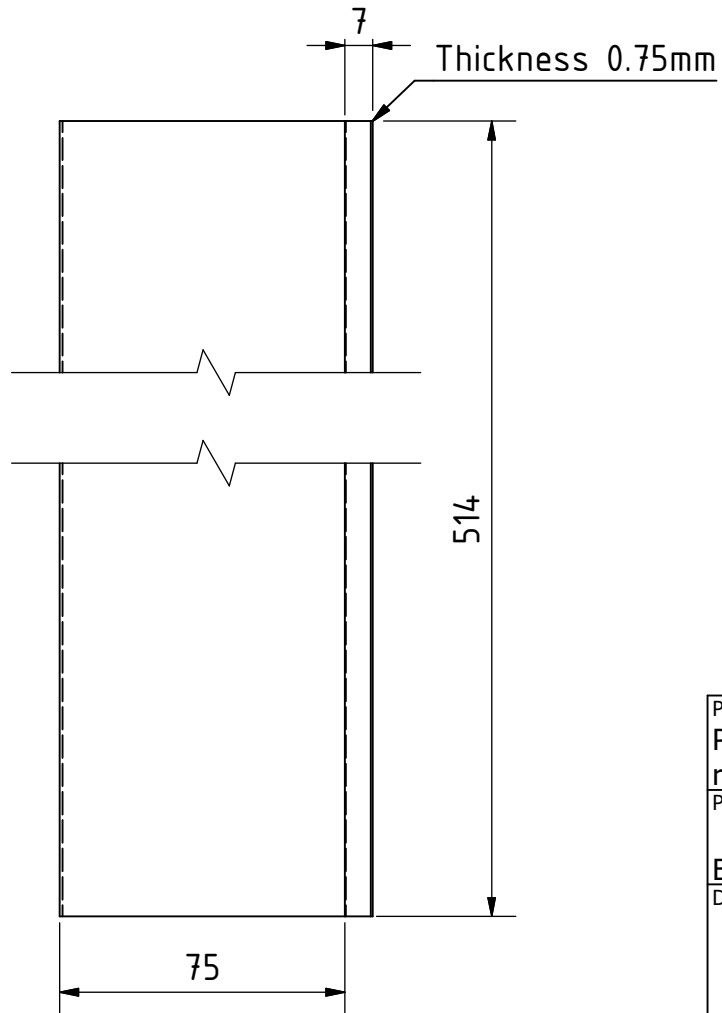
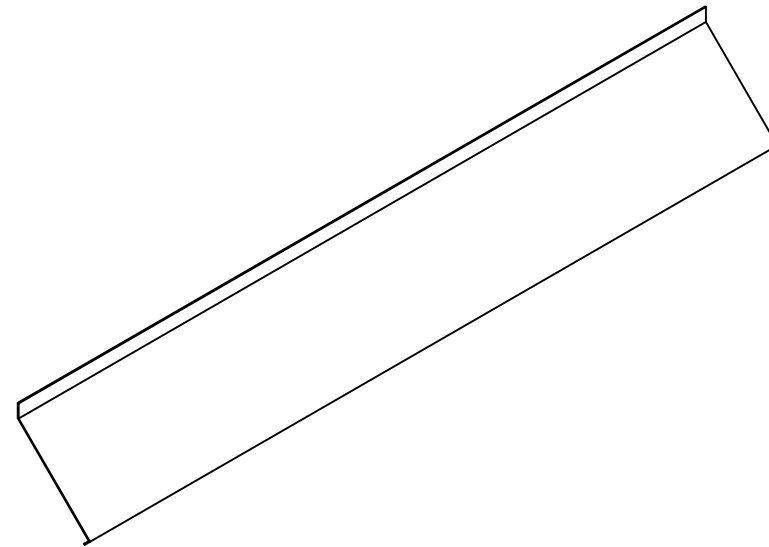


ISOMETRIC ( 1 : 4 )



Note: All units in mm.

PROJECT Power Thresher for rice and wheat		CREATED BY J. Zeron	APPROVED BY A. Morillo	DATE 30/08/2021	VERSION 1.0
PART NAME Blade		FILE NAME Blade.ipt			POS 8.4
DEVELOPED BY Practical Action	REDESIGNED BY OHO e.V.	DOC. TYPE Part	MATERIAL Steel C45	QUANTITY 4	
		LICENCE CC-BY-SA 4.0	SCALE 1:2	SHEET 22 /43	