
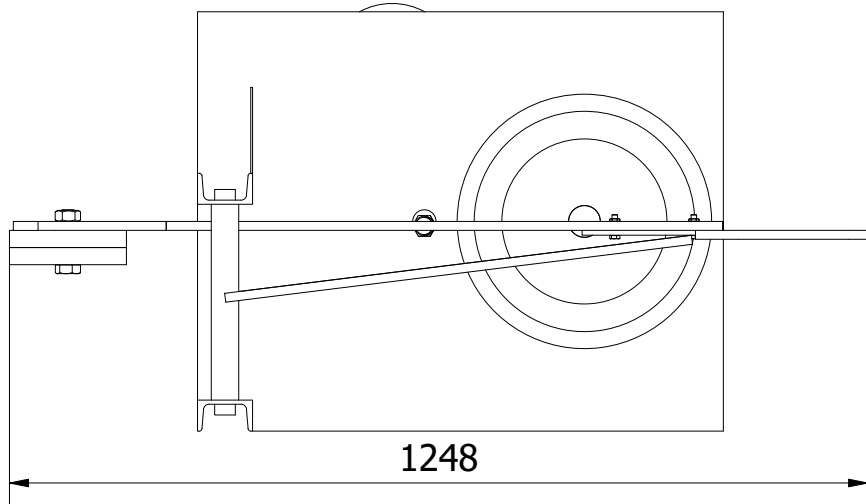
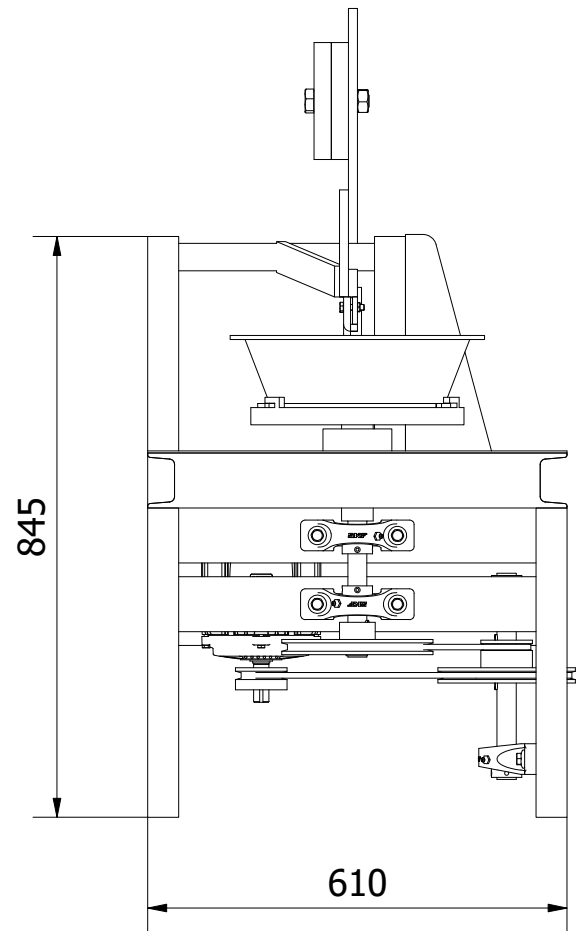
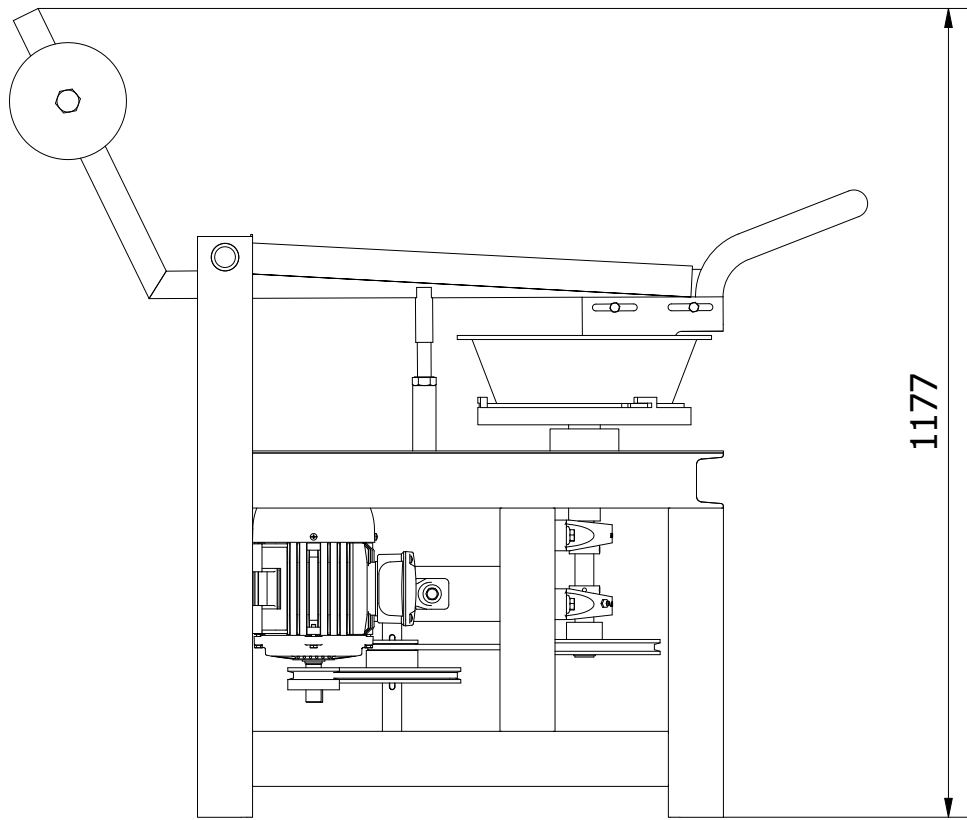



Note: All units in mm.

| | | | | |
|------------------|---|--------------|------------|----------|
| PROJECT | CREATED BY | APPROVED BY | DATE | VERSION |
| Potery wheel | J. Rosciano | A. Morillo | 17/06/2021 | 1.2 |
| PART NAME | FILE NAME | | | POS |
| 3d views | Pac_Pw_Pottery-Wheel.iam | | | A1 |
| DEVELOPED BY | REDESIGNED BY | DOC. TYPE | MATERIAL | QUANTITY |
| |  | Assembly | | 1 |
| Practical Action | OHO e.V. | LICENCE | SCALE | SHEET |
| | | CC-BY-SA 4.0 | 1/10 | 1 /46 |



Note: All units in mm.

| | | | | |
|------------------|---|--------------|------------|----------|
| PROJECT | CREATED BY | APPROVED BY | DATE | VERSION |
| Potery wheel | J. Rosciano | A. Morillo | 17/06/2021 | 1.2 |
| PART NAME | FILE NAME | POS | | |
| 3d views | Pac_Pw_Pottery-Wheel.iam | | | A1 |
| DEVELOPED BY | REDESIGNED BY | DOC. TYPE | MATERIAL | QUANTITY |
| |  | Assembly | | 1 |
| Practical Action | OHO e.V. | LICENCE | SCALE | SHEET |
| | | CC-BY-SA 4.0 | 1/20 | 2 /46 |