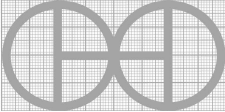
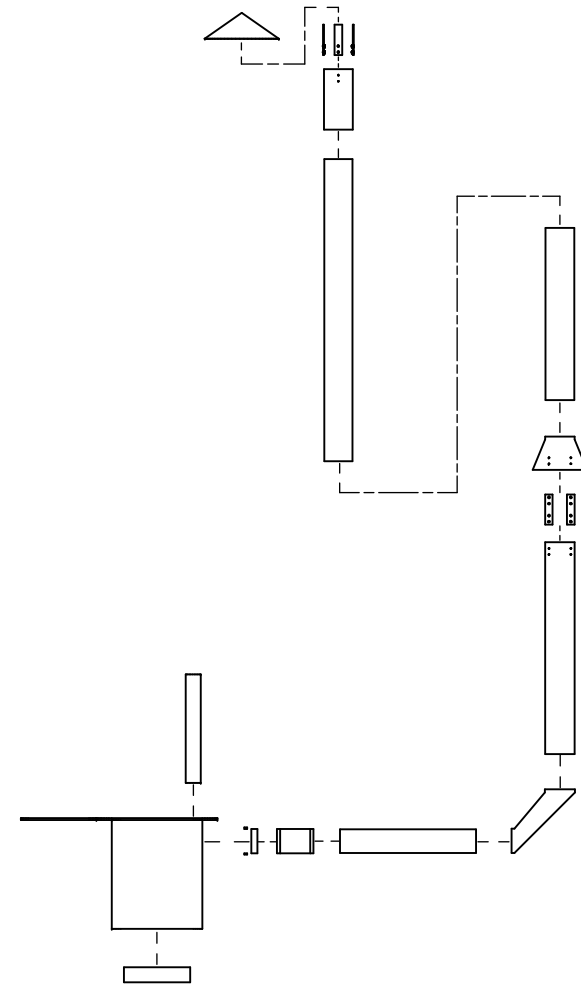
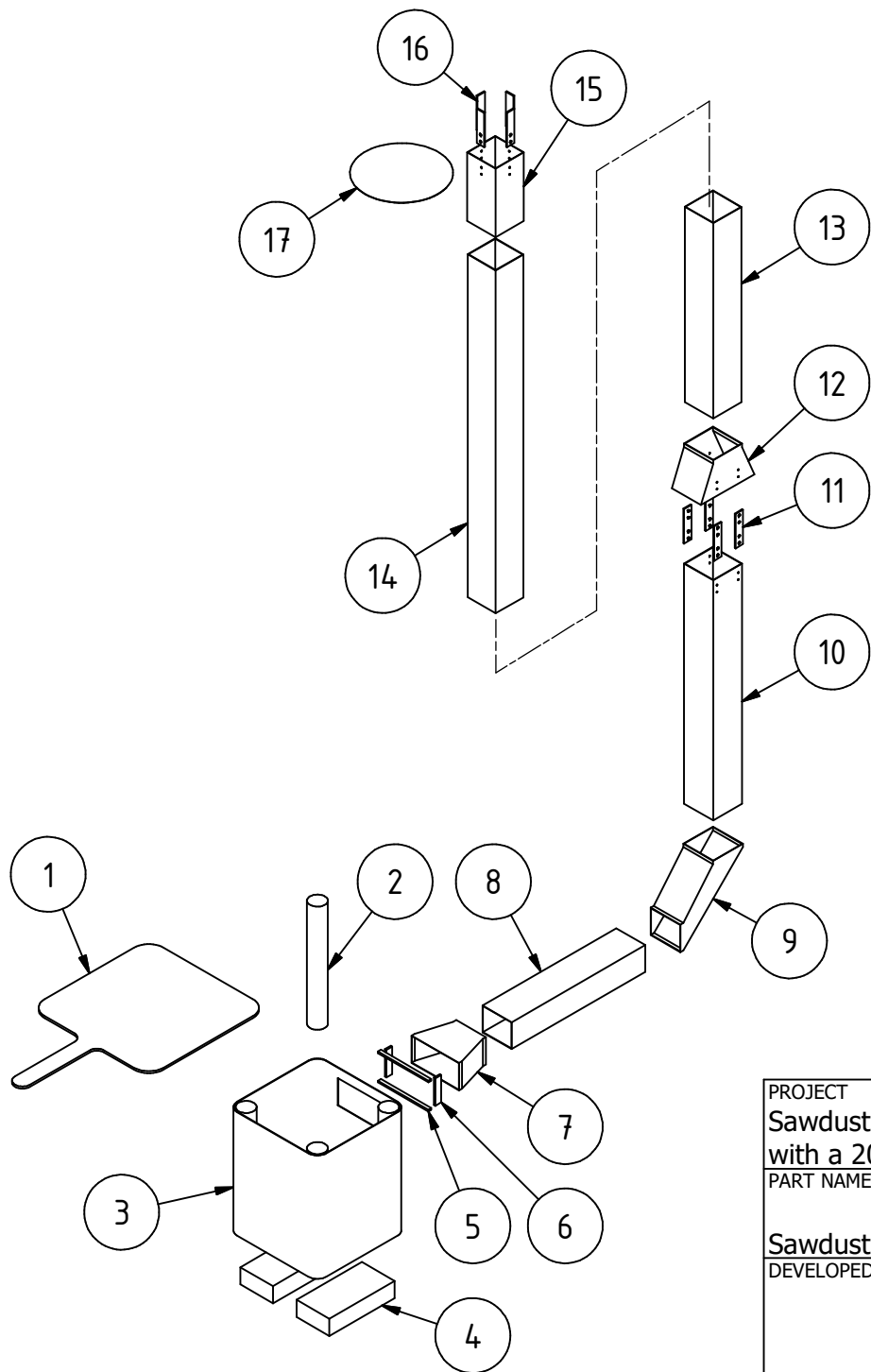
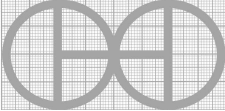


Note: All units in mm.

PROJECT Sawdust stove made with a 20 L tin can		CREATED BY J. Zeron		APPROVED BY A. Morillo		DATE 23/09/2021		VERSION 1.0	
PART NAME 3d views		FILE NAME Sawdust cooke stove.iam						POS A1	
DEVELOPED BY Vita		REDESIGNED BY OHO e.V.		DOC. TYPE Assembly		MATERIAL		QUANTITY 1	
				LICENCE CC-BY-SA 4.0		SCALE 1:18		SHEET 1 / 17	

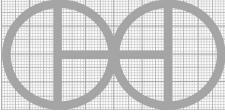


Note: All units in mm.

PROJECT Sawdust stove made with a 20 L tin can	CREATED BY J. Zeron	APPROVED BY A. Morillo	DATE 23/09/2021	VERSION 1.0
PART NAME Sawdust cooke stove	FILE NAME Sawdust cooke stove.ipn			POS A2
DEVELOPED BY Vita	REDESIGNED BY  OHO e.V.	DOC. TYPE Assembly	MATERIAL	QUANTITY 1
		LICENCE CC-BY-SA 4.0	SCALE 1:17	SHEET 2 /17

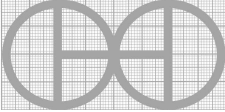
Parts list

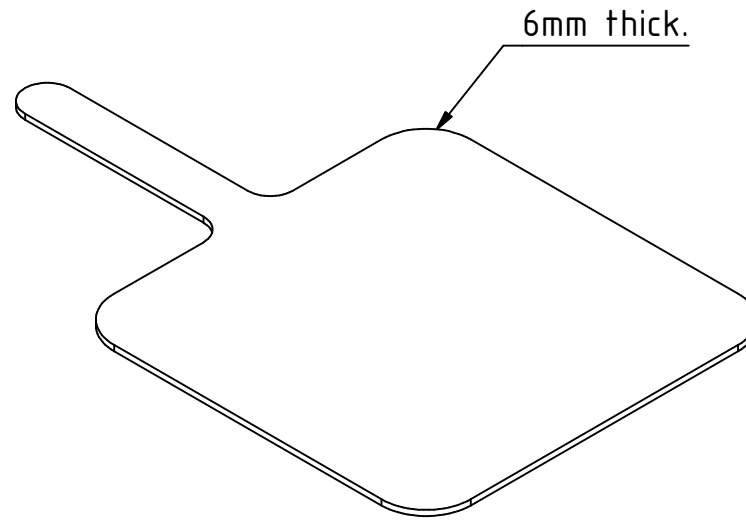
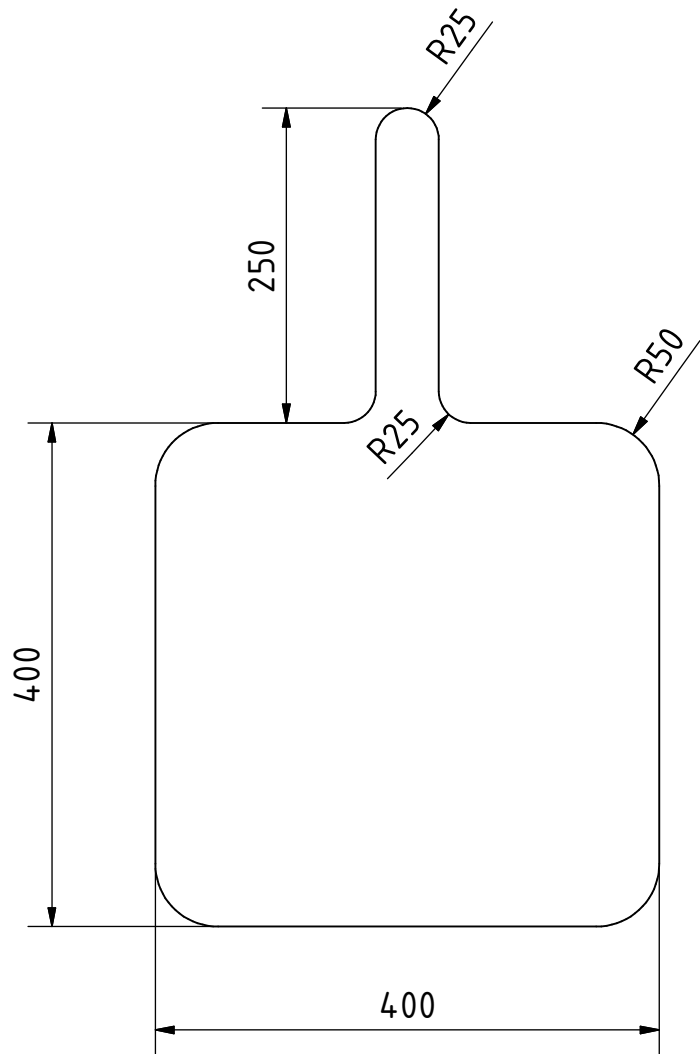
POS	QTY	PART NAME	FILE NAME	PART TYPE	SPECIFICATIONS	SHEET
A1	-	3d views	Sawdust cooke stove.iam	-	-	1
A2	-	Exploded 3d view	Sawdust cooke stove.ipn	-	-	2
B1	-	Parts list	Sawdust cooke stove.csv	-	-	3
C1	-	Technical notes	-	-	-	4
1	1	Stove	Stove.ipt	Production	Steel C45 6mm thick	5
2	4	Broomstick	-	Production	Wodden rod D:50mm, L:359mm	-
3	1	Pail	Pail.ipt	Production	Metal pail, 20 litres, 26 gauge	6
4	2	Brick	-	Buy	Firebrick 220x110x50mm	-
5	2	Frame A	-	Production	Hardwood 5x10x170mm	-
6	2	Frame B	-	Production	Hardwood 5x20x80mm	-
7	1	Reducer fitting A	Reducer fitting A.ipt	Production	18G 1mm galvanized steel	7
8	1	Duct A	Duct A.ipt	Production	18G 1mm galvanized steel	8
9	1	Reducer fitting B	Reducer fitting B.ipt	Production	18G 1mm galvanized steel	9
10	1	Duct B	Duct B.ipt	Production	18G 1mm galvanized steel	10
11	4	Platen A	Platen A.ipt	Production	Steel A36 platen 25mm	11
12	1	Reducer fitting C	Reducer fitting C.ipt	Production	18G 1mm galvanized steel	12
13	1	Duct C	Duct C.ipt	Production	18G 1mm galvanized steel	13
14	1	Duct D	Duct D.ipt	Production	18G 1mm galvanized steel	14
15	1	Duct E	Duct E.ipt	Production	18G 1mm galvanized steel	15
16	4	Platen B	Platen B.ipt	Production	Steel A36 platen 25mm	16
17	1	Chimney cap	Chimney cap.ipt	Production	18G 1mm galvanized steel	17

PROJECT Sawdust stove made with a 20 L tin can		CREATED BY J. Zeron	APPROVED BY A. Morillo	DATE 23/09/2021	VERSION 1.0
PART NAME Parts list		FILE NAME Sawdust cooke stove.csv			POS B1
DEVELOPED BY Vita	REDESIGNED BY  OHO e.V.	DOC. TYPE Parts list	MATERIAL	QUANTITY	
		LICENCE CC-BY-SA 4.0	SCALE	SHEET 3 / 17	

TECHNICAL NOTES

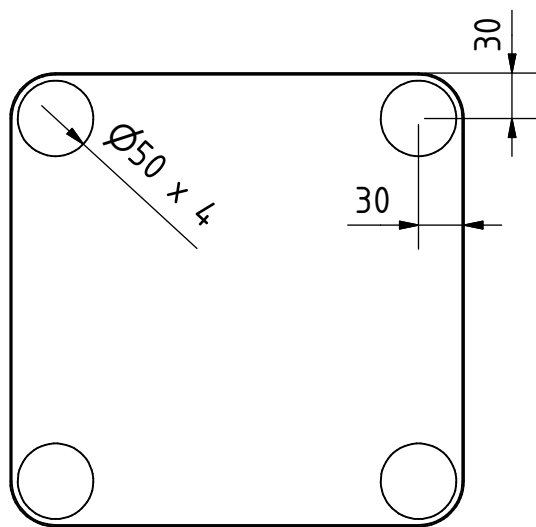
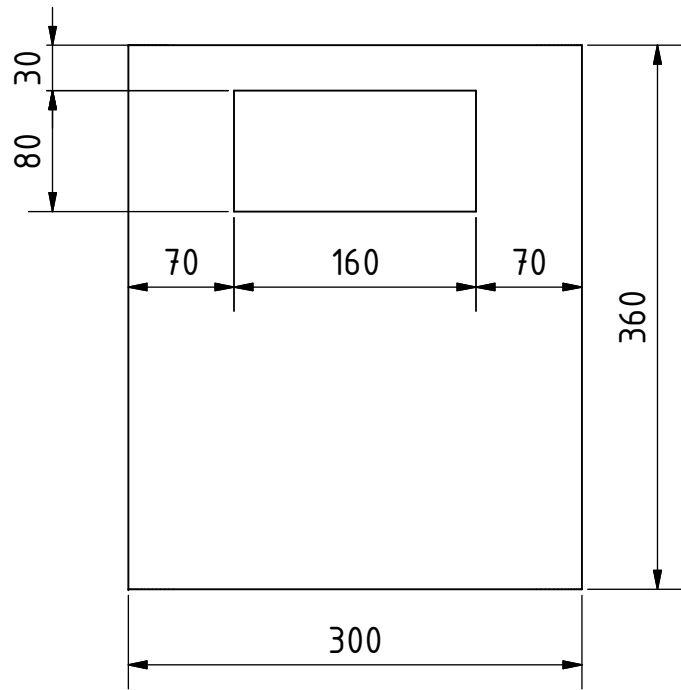
NOTES	CONTENT
GENERAL NOTES	
Notes	<ul style="list-style-type: none"> - All ducts and reducers are riveted. - The wooden adapter is screwed to the pail, for greater ease when replacement the pail. - The adapter can be made of wood or metal. - The chimney will require support, depending on how and where the stove is installed. If the stove is used in a courtyard, the chimney can be attached to the wall with guy wires or metal straps. In this case, the chimney should have about a 300mm clearance from the wall to avoid a fire hazard and to provide adequate draft for the suction exhaust hood. Additional support for the semi-horizontal sections may also be necessary. - The end of the duct that fits into the stove requires its own support, wherever the stove is used. This allows the firebox portion to be moved easily for fueling and/or replacement.

PROJECT Sawdust stove made with a 20 L tin can	CREATED BY J. Zeron	APPROVED BY A. Morillo	DATE 23/09/2021	VERSION 1.0
PART NAME Technical notes	FILE NAME			POS C1
DEVELOPED BY Vita	REDESIGNED BY  OHO e.V.	DOC. TYPE Technical notes	MATERIAL	QUANTITY
		LICENCE CC-BY-SA 4.0	SCALE	SHEET 4 /17

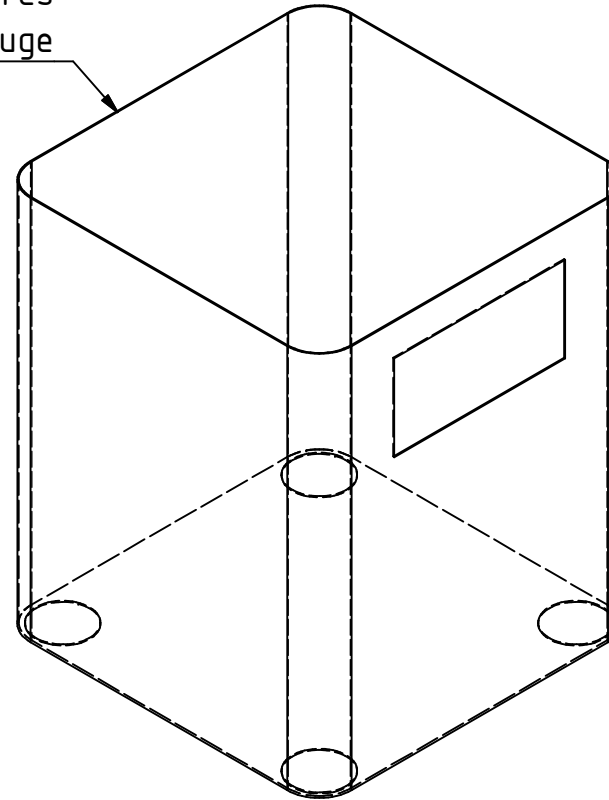


Note: All units in mm.

PROJECT Sawdust stove made with a 20 L tin can		CREATED BY J. Zeron	APPROVED BY A. Morillo	DATE 23/09/2021	VERSION 1.0
PART NAME Stove		FILE NAME Stove.ipt			POS 1
DEVELOPED BY Vita	REDESIGNED BY OHO e.V.	DOC. TYPE Part	MATERIAL Steel C45	QUANTITY 1	
		LICENCE CC-BY-SA 4.0	SCALE 1:6	SHEET 5 /17	

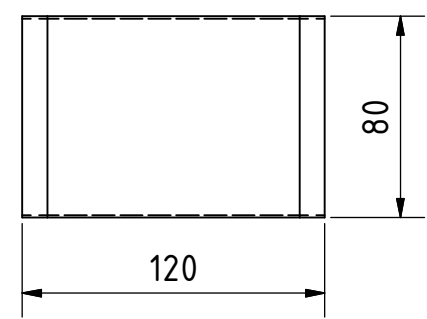
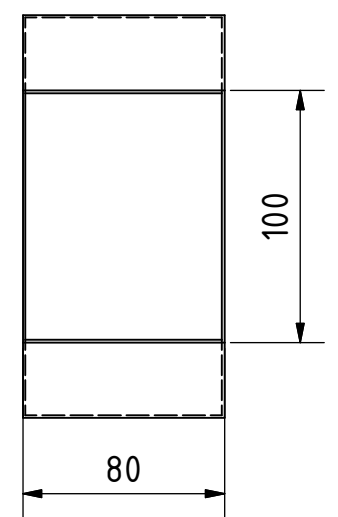
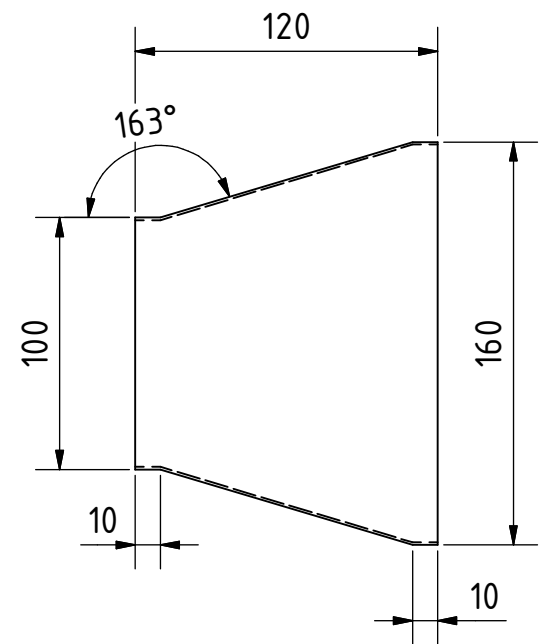
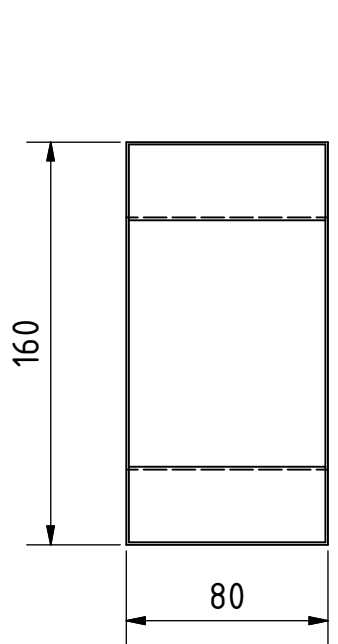


Metal pail
20 litres
26 gauge

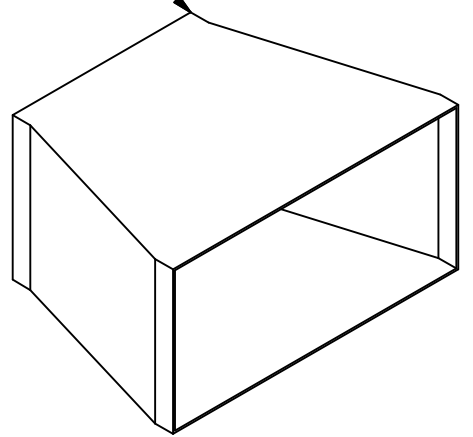


Note: All units in mm.

PROJECT Sawdust stove made with a 20 L tin can		CREATED BY J. Zeron	APPROVED BY A. Morillo	DATE 23/09/2021	VERSION 1.0
PART NAME Pail		FILE NAME Pail.ipt			POS 3
DEVELOPED BY Vita	REDESIGNED BY OHO e.V.	DOC. TYPE Part	MATERIAL Metal pail	QUANTITY 1	
		LICENCE CC-BY-SA 4.0	SCALE 1:5	SHEET 6 / 17	

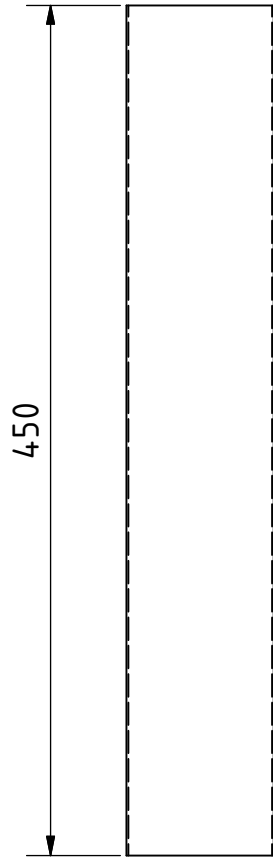


18 gauge
folded sheet.

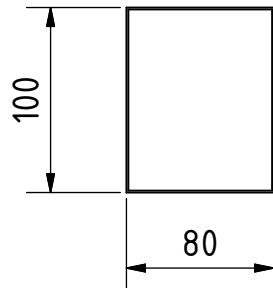
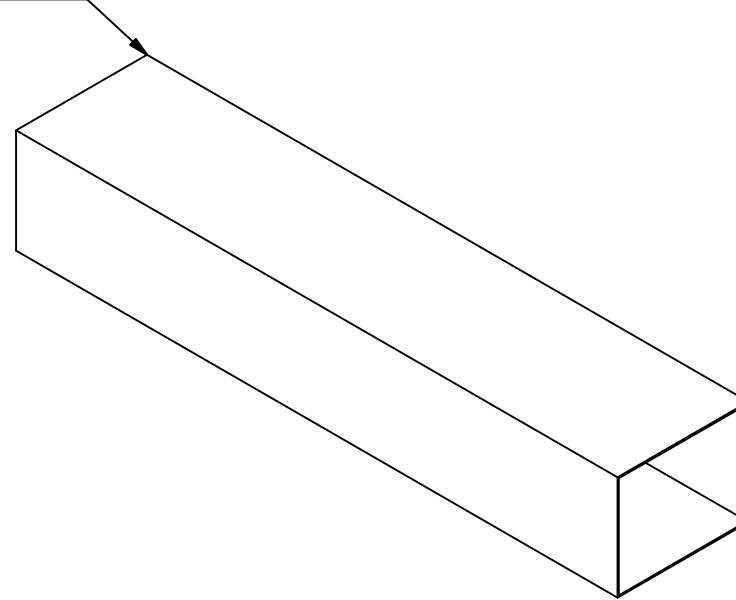


Note: All units in mm.

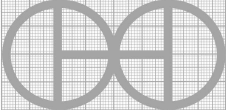
PROJECT Sawdust stove made with a 20 L tin can		CREATED BY J. Zeron		APPROVED BY A. Morillo		DATE 23/09/2021		VERSION 1.0	
PART NAME Reducer fitting A		FILE NAME Reducer fitting A.ipt						POS 7	
DEVELOPED BY Vita		REDESIGNED BY OHO e.V.		DOC. TYPE Part		MATERIAL Galvanized steel		QUANTITY 1	
				LICENCE CC-BY-SA 4.0		SCALE 1:3		SHEET 7 /17	

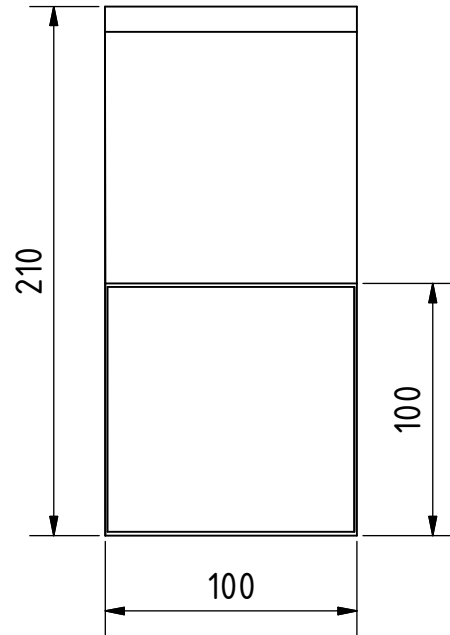
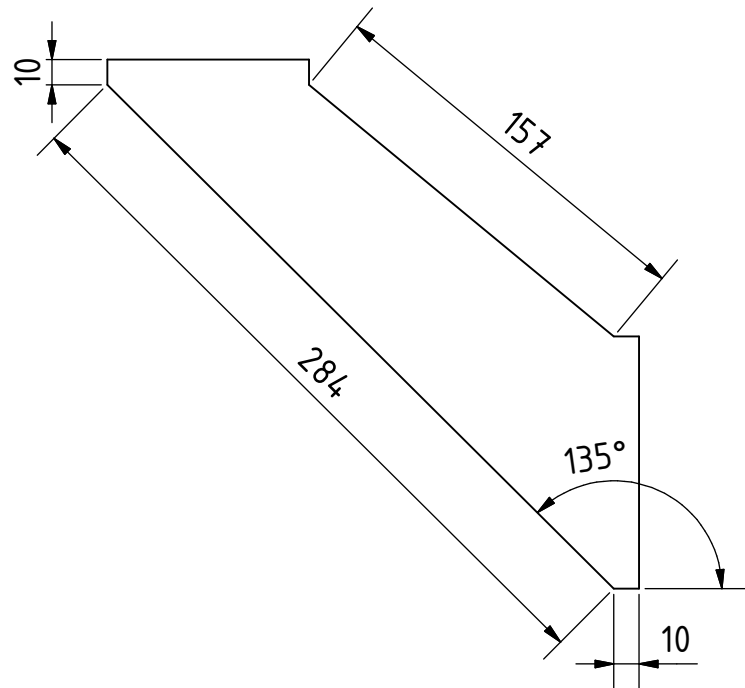


18 gauge
folded sheet.

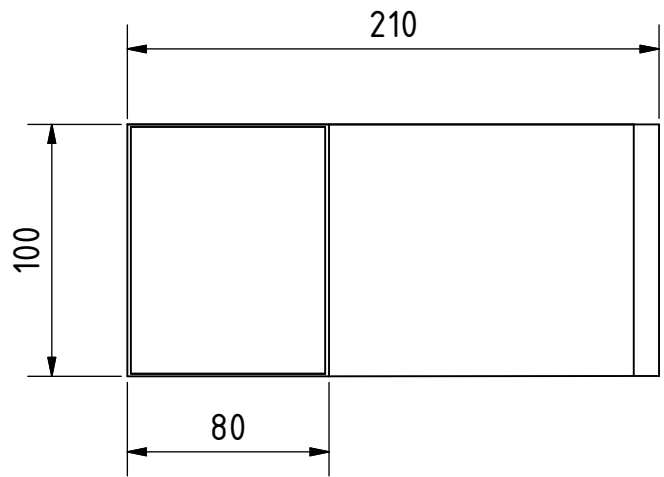
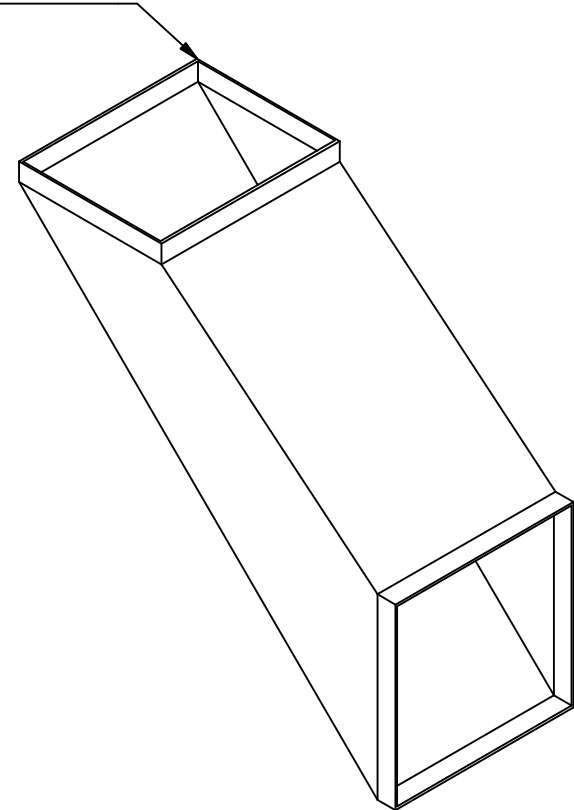


Note: All units in mm.

PROJECT Sawdust stove made with a 20 L tin can		CREATED BY J. Zeron	APPROVED BY A. Morillo	DATE 23/09/2021	VERSION 1.0
PART NAME Duct A		FILE NAME Duct A.ipt			POS 8
DEVELOPED BY Vita	REDESIGNED BY 	DOC. TYPE Part	MATERIAL Galvanized steel	QUANTITY 1	
		LICENCE CC-BY-SA 4.0	SCALE 1:4	SHEET 8 /17	

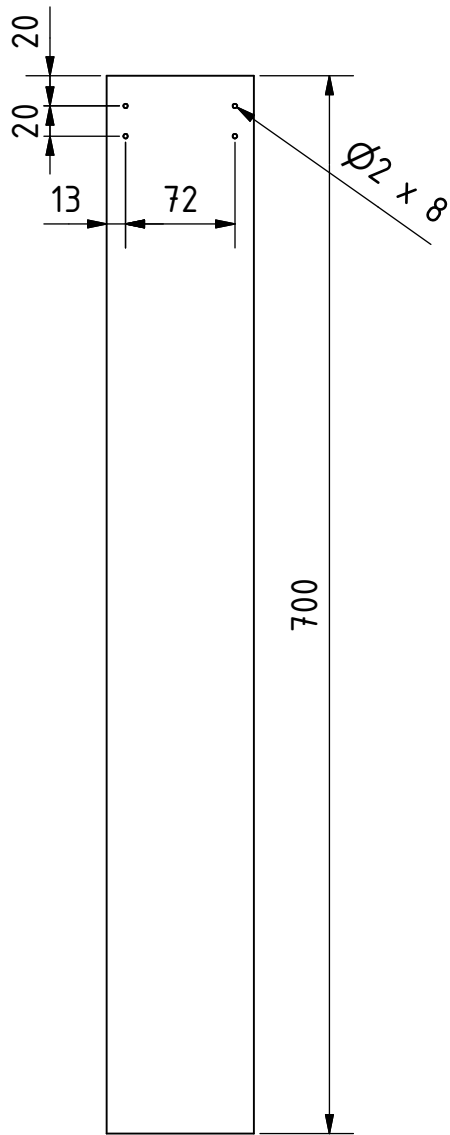


18 gauge
folded sheet.

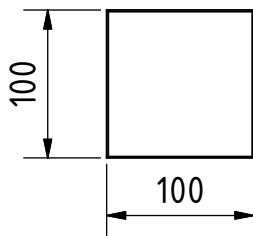
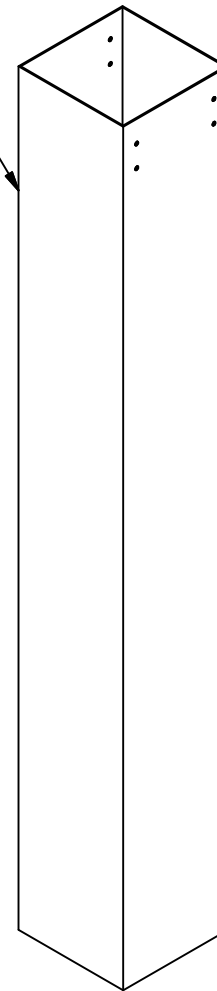


Note: All units in mm.

PROJECT Sawdust stove made with a 20 L tin can		CREATED BY J. Zeron	APPROVED BY A. Morillo	DATE 23/09/2021	VERSION 1.0
PART NAME Reducer fitting B		FILE NAME Reducer fitting B.ipt			POS 9
DEVELOPED BY Vita	REDESIGNED BY OHO e.V.	DOC. TYPE Part	MATERIAL Galvanized steel	QUANTITY 1	
		LICENCE CC-BY-SA 4.0	SCALE 1:3	SHEET 9 /17	

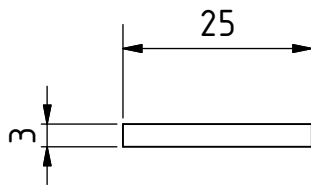
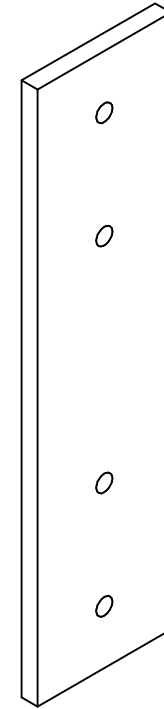
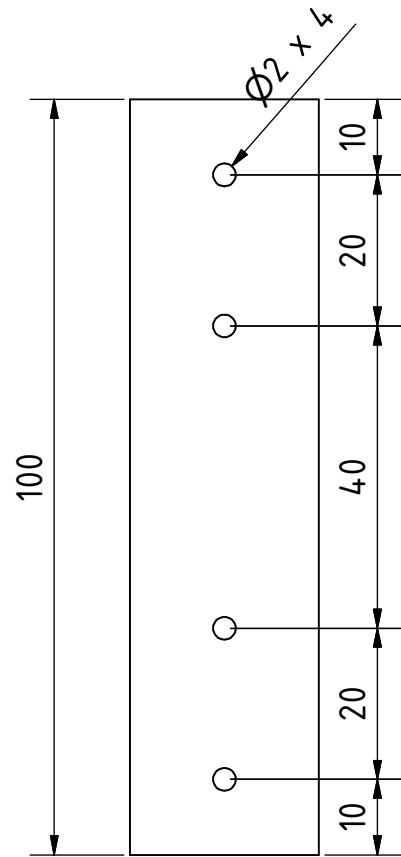


18 gauge
folded sheet.



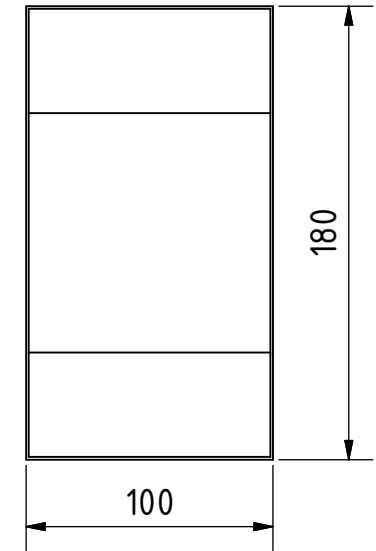
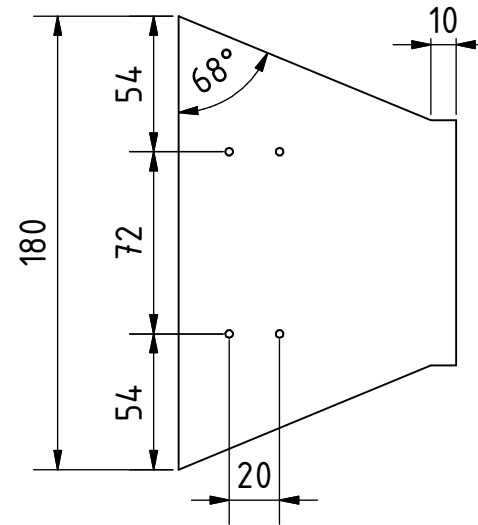
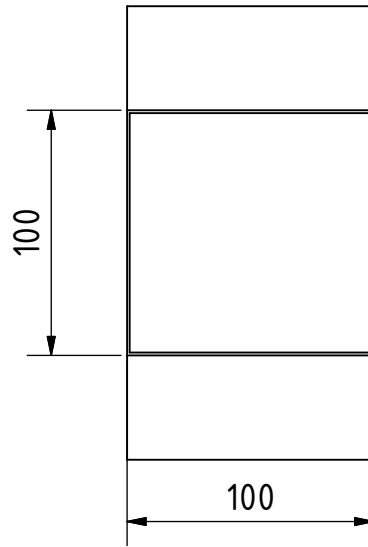
Note: All units in mm.

PROJECT Sawdust stove made with a 20 L tin can		CREATED BY J. Zeron		APPROVED BY A. Morillo		DATE 23/09/2021	VERSION 1.0	
PART NAME Duct B		FILE NAME Duct B.ipt					POS 10	
DEVELOPED BY Vita		REDESIGNED BY OHO e.V.		DOC. TYPE Part	MATERIAL Galvanized steel		QUANTITY 1	
				LICENCE CC-BY-SA 4.0		SCALE 1:5	SHEET 10 /17	

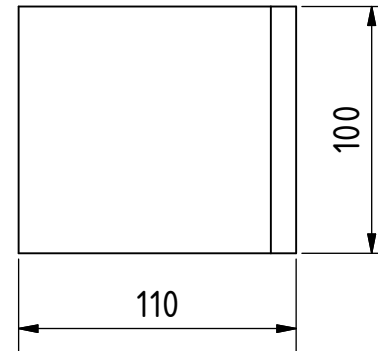
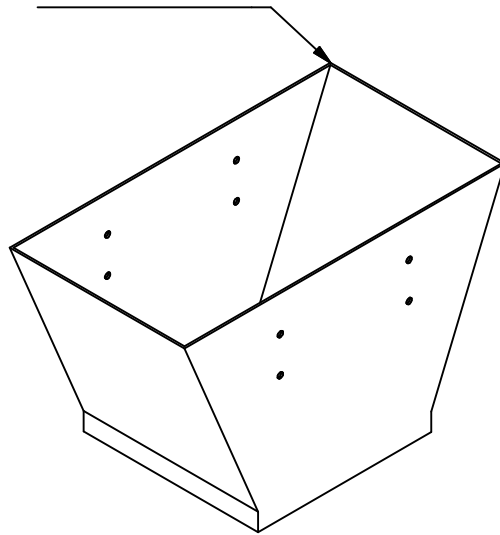


Note: All units in mm.

PROJECT Sawdust stove made with a 20 L tin can		CREATED BY J. Zeron	APPROVED BY A. Morillo	DATE 23/09/2021	VERSION 1.0
PART NAME Platen A		FILE NAME Platen A.ipt			POS 11
DEVELOPED BY Vita	REDESIGNED BY OHO e.V.	DOC. TYPE Part	MATERIAL Steel A36	QUANTITY 4	
		LICENCE CC-BY-SA 4.0	SCALE 1:1	SHEET 11 /17	

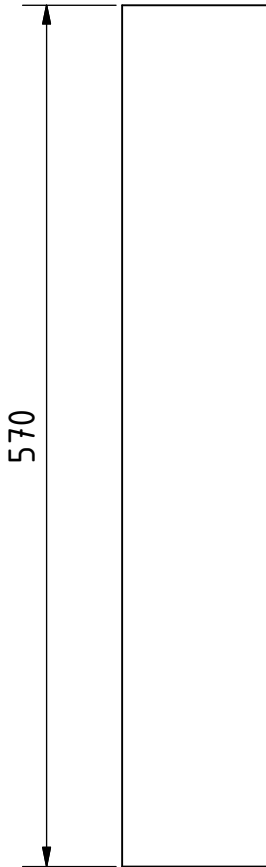


18 gauge
folded sheet.

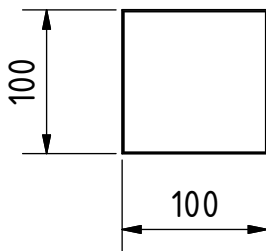


Note: All units in mm.

PROJECT Sawdust stove made with a 20 L tin can		CREATED BY J. Zeron		APPROVED BY A. Morillo	DATE 23/09/2021	VERSION 1.0
PART NAME Reducer fitting C		FILE NAME Reducer fitting C.ipt				POS 12
DEVELOPED BY Vita	REDESIGNED BY OHO e.V.	DOC. TYPE Part	MATERIAL Galvanized steel	QUANTITY 1		
		LICENCE CC-BY-SA 4.0	SCALE 1:3	SHEET 12 /17		

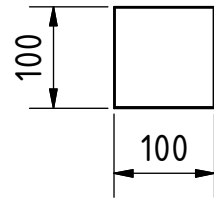
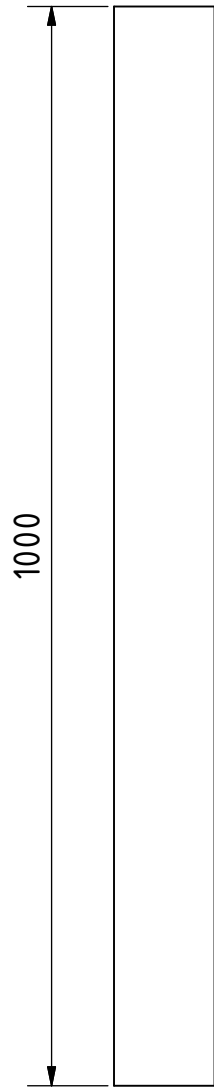


18 gauge
folded sheet.

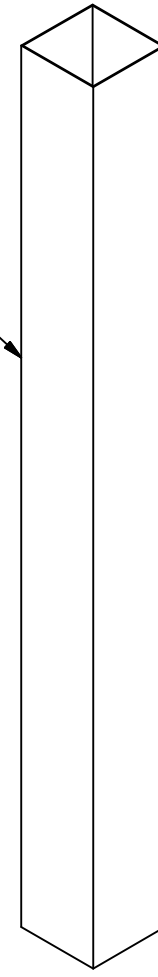


Note: All units in mm.

PROJECT Sawdust stove made with a 20 L tin can		CREATED BY J. Zeron	APPROVED BY A. Morillo	DATE 23/09/2021	VERSION 1.0
PART NAME Duct C		FILE NAME Duct C.ipt			POS 13
DEVELOPED BY Vita	REDESIGNED BY OHO e.V.	DOC. TYPE Part	MATERIAL Galvanized steel	QUANTITY 1	
		LICENCE CC-BY-SA 4.0	SCALE 1:5	SHEET 13 /17	

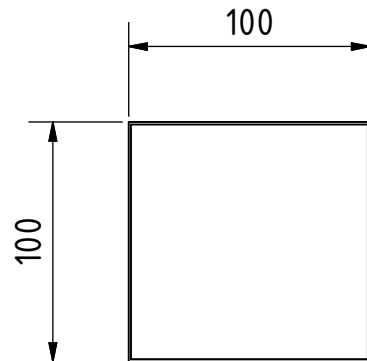
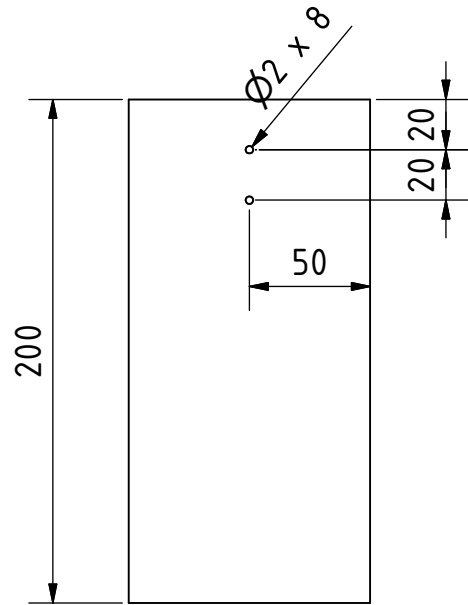


18 gauge
folded sheet.

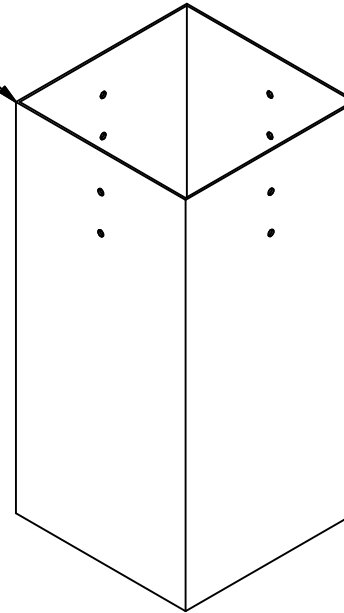


Note: All units in mm.

PROJECT Sawdust stove made with a 20 L tin can		CREATED BY J. Zeron	APPROVED BY A. Morillo	DATE 23/09/2021	VERSION 1.0
PART NAME Duct D		FILE NAME Duct D.ipt			POS 14
DEVELOPED BY Vita	REDESIGNED BY OHO e.V.	DOC. TYPE Part	MATERIAL Galvanized steel	QUANTITY 1	
		LICENCE CC-BY-SA 4.0	SCALE 1:7	SHEET 14 /17	

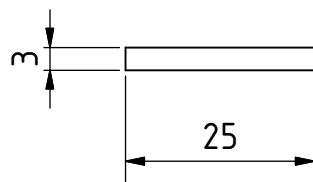
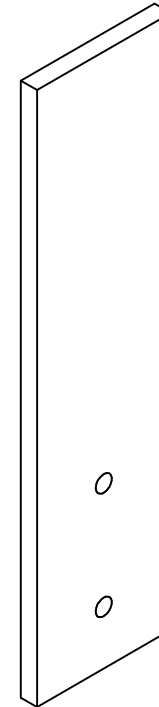
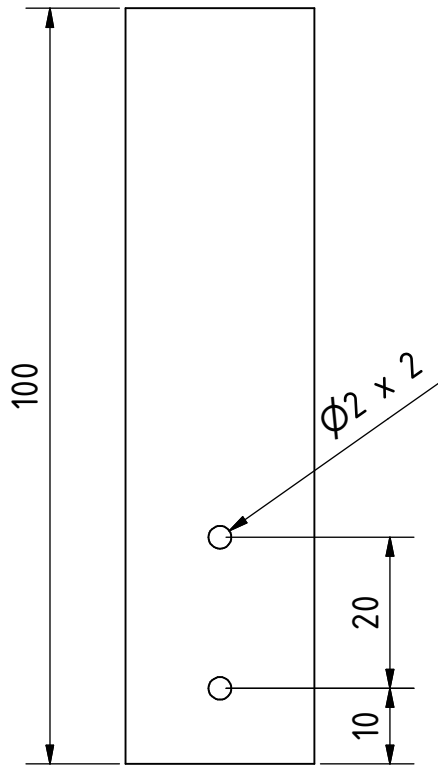


18 gauge
folded sheet.



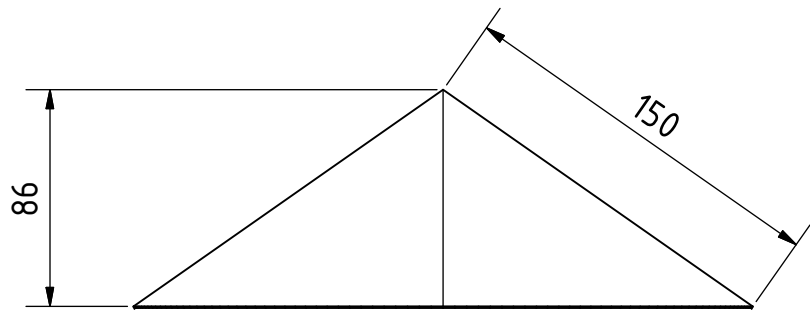
Note: All units in mm.

PROJECT Sawdust stove made with a 20 L tin can		CREATED BY J. Zeron	APPROVED BY A. Morillo	DATE 23/09/2021	VERSION 1.0
PART NAME Duct E		FILE NAME Duct E.ipt			POS 15
DEVELOPED BY Vita	REDESIGNED BY OHO e.V.	DOC. TYPE Part	MATERIAL Galvanized steel	QUANTITY 1	
		LICENCE CC-BY-SA 4.0	SCALE 1:3	SHEET 15 /17	

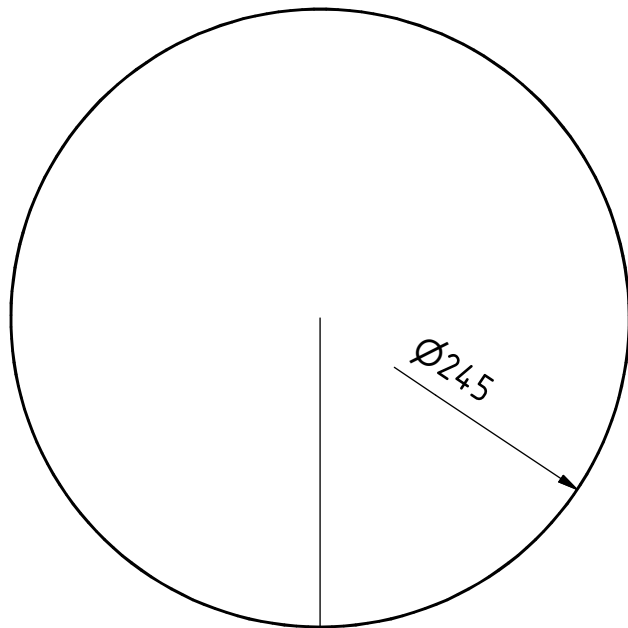
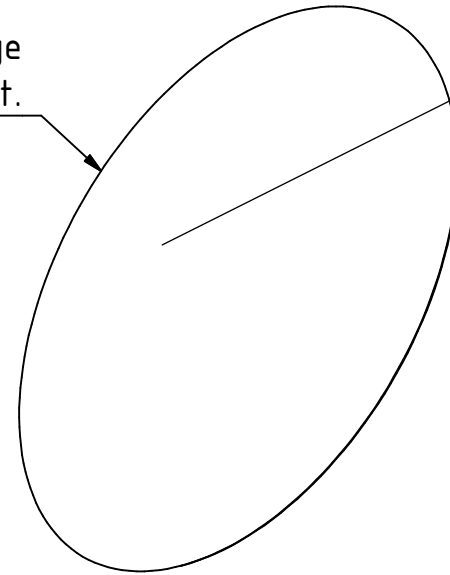


Note: All units in mm.

PROJECT Sawdust stove made with a 20 L tin can		CREATED BY J. Zeron	APPROVED BY A. Morillo	DATE 23/09/2021	VERSION 1.0
PART NAME Platen B		FILE NAME Platen B.ipt			POS 16
DEVELOPED BY Vita	REDESIGNED BY OHO e.V.	DOC. TYPE Part	MATERIAL Steel A36	QUANTITY 4	
		LICENCE CC-BY-SA 4.0	SCALE 1:1	SHEET 16 /17	



18 gauge
folded sheet.



Note: All units in mm.

PROJECT Sawdust stove made with a 20 L tin can	CREATED BY J. Zeron	APPROVED BY A. Morillo	DATE 23/09/2021	VERSION 1.0
PART NAME Chimney cap	FILE NAME Chimney cap.ipt			POS 17
DEVELOPED BY Vita	REDESIGNED BY OHO e.V.	DOC. TYPE Part	MATERIAL Galvanized steel	QUANTITY 1
		LICENCE CC-BY-SA 4.0	SCALE 1:3	SHEET 17 /17