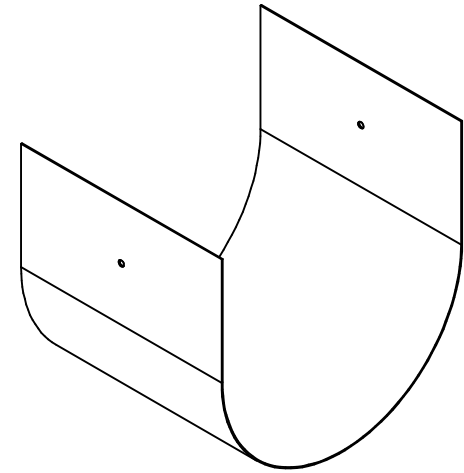
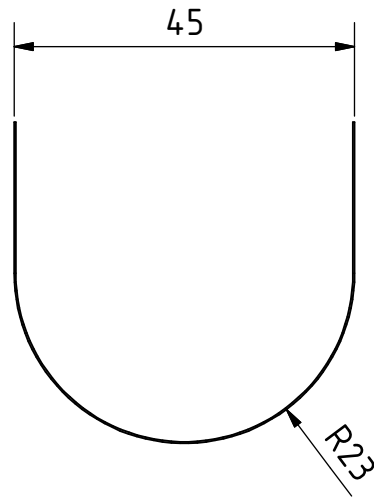
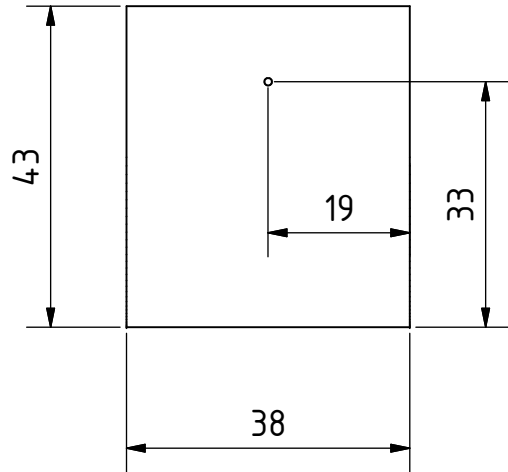
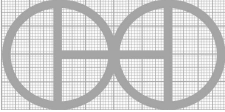


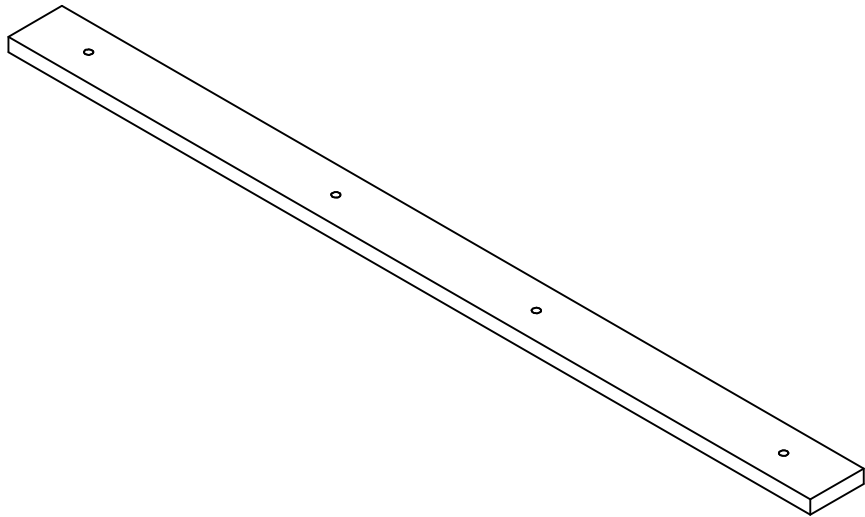
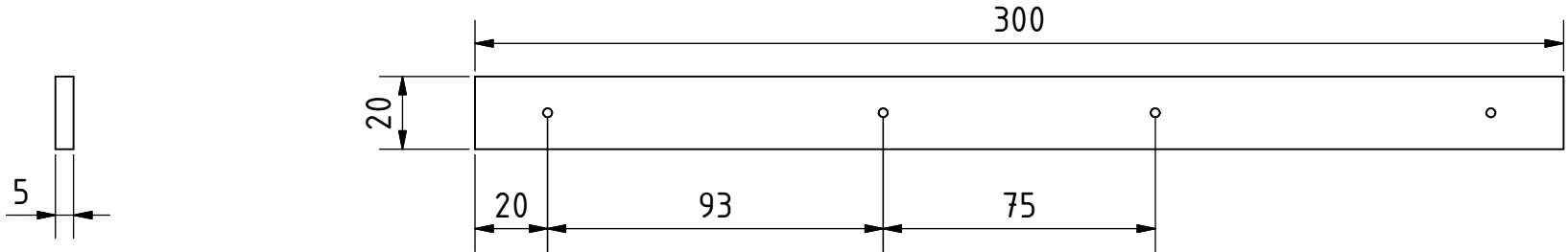
ELEVATION ( 1 : 1 )



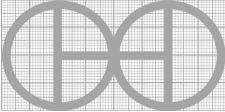
Note: All units in mm.

PROJECT	CREATED BY	APPROVED BY	DATE	VERSION
Hay Manger	J. Zeron	A. Morillo	31/07/2021	1.0
PART NAME	FILE NAME			POS
Circular sheet	Circular sheet.ipt			8
DEVELOPED BY	REDESIGNED BY	DOC. TYPE	MATERIAL	QUANTITY
		Part	Galvanized steel	16
Christian Veterinary Mission	OHO e.V.	LICENCE	SCALE	SHEET
		CC-BY-SA 4.0	1:1	10 /14

# PLAN ( 1 : 2 )



Note: All units in mm.

PROJECT	CREATED BY	APPROVED BY	DATE	VERSION
Hay Manger	J. Zeron	A. Morillo	31/07/2021	1.0
PART NAME	FILE NAME			POS
Metal bar	Metal bar.ipt			8
DEVELOPED BY	REDESIGNED BY	DOC. TYPE	MATERIAL	QUANTITY
Christian Veterinary Mission	 OHO e.V.	Part	Steel A36	1
		LICENCE	SCALE	SHEET
		CC-BY-SA 4.0	1:12	11 /14