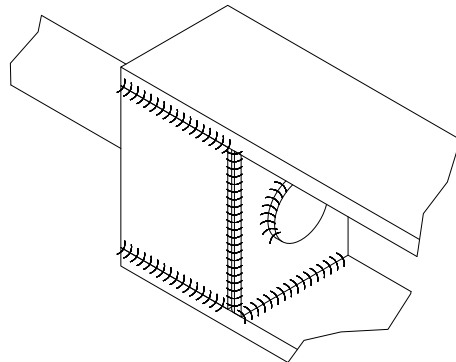
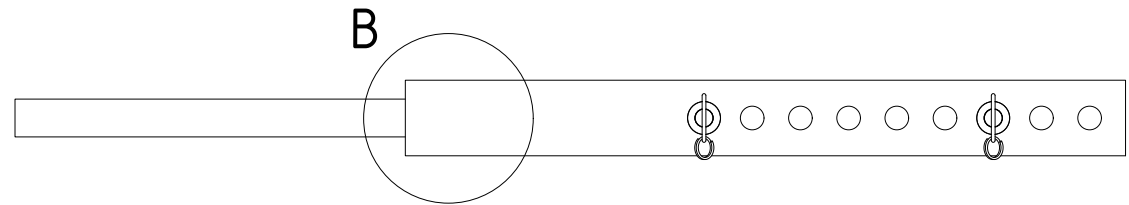



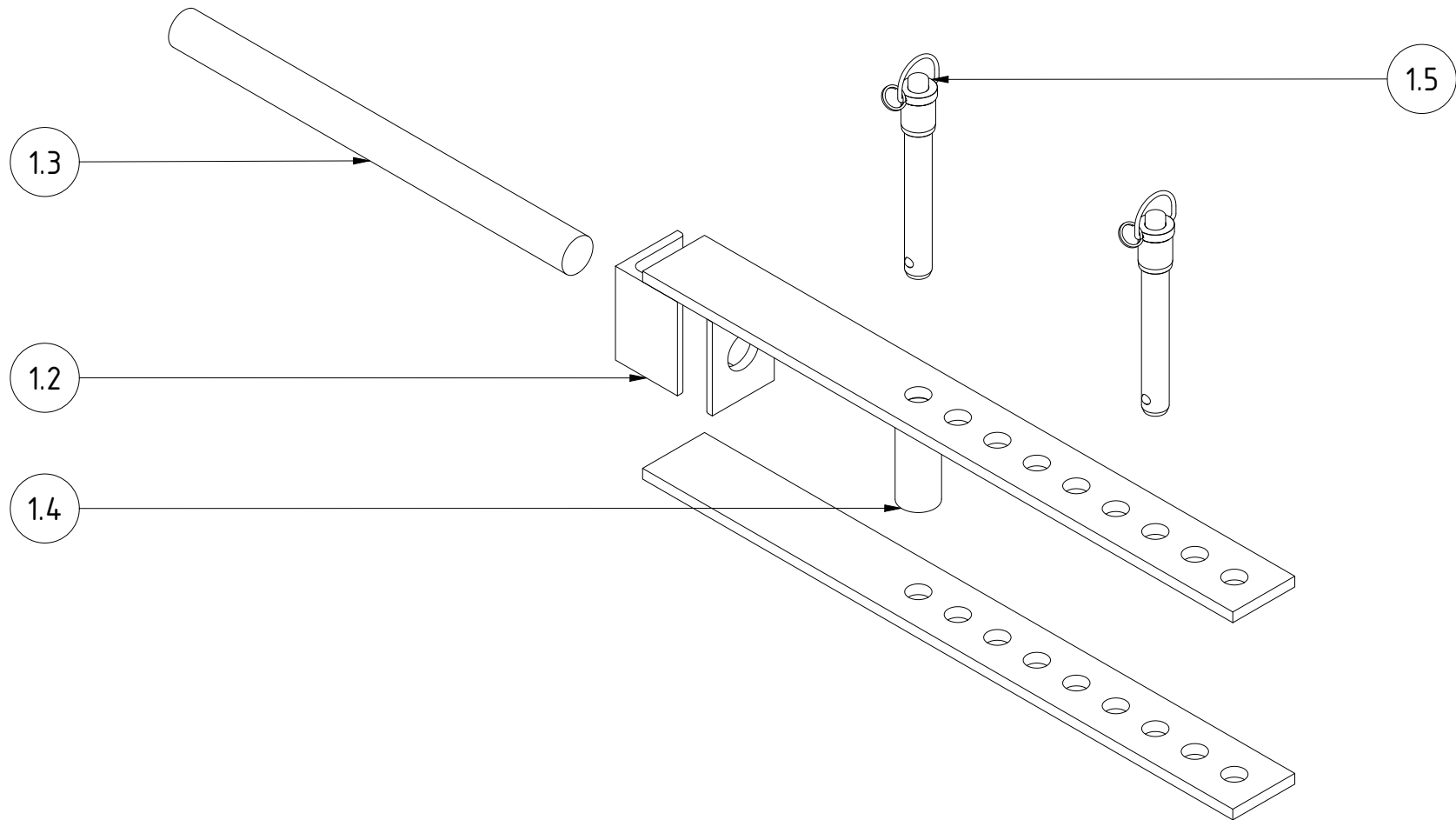
B ( 1 : 2.5 )




A ( 1 : 4 )

Note: All units in mm.

PROJECT	CREATED BY	APPROVED BY	DATE	VERSION
Bench Top Bender	J. Rosciano	A. Morillo	10/08/2021	1.1
PART NAME	FILE NAME			POS
Rotating arm assembly	Rotating arm assembly.iam			1.0
PUBLISHED BY	DOC. TYPE	MATERIAL	QUANTITY	
 <b>OPEN HARDWARE OBSERVATORY</b> Free Blueprints for Sustainable Development	Assembly		1	
	LICENCE	SCALE	SHEET	
OHO e.V.	CC-BY-SA 4.0	1/8	6 /18	



PROJECT	CREATED BY	APPROVED BY	DATE	VERSION
Bench Top Bender	J. Rosciano	A. Morillo	10/08/2021	1.1
PART NAME	FILE NAME			POS
Rotating arm assembly	Rotating arm assembly.ipn			1.0
PUBLISHED BY	DOC. TYPE	MATERIAL	QUANTITY	
 <b>OPEN HARDWARE OBSERVATORY</b> Free Blueprints for Sustainable Development	Assembly		1	
	LICENCE	SCALE	SHEET	
OHO e.V.	CC-BY-SA 4.0	1/6	7 /18	