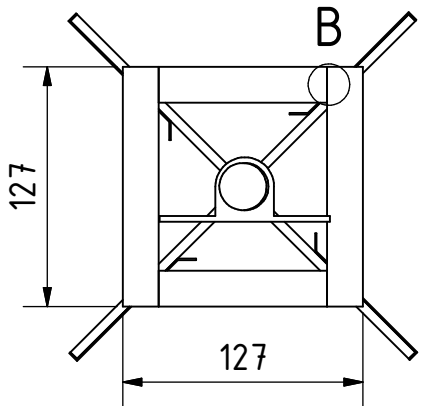
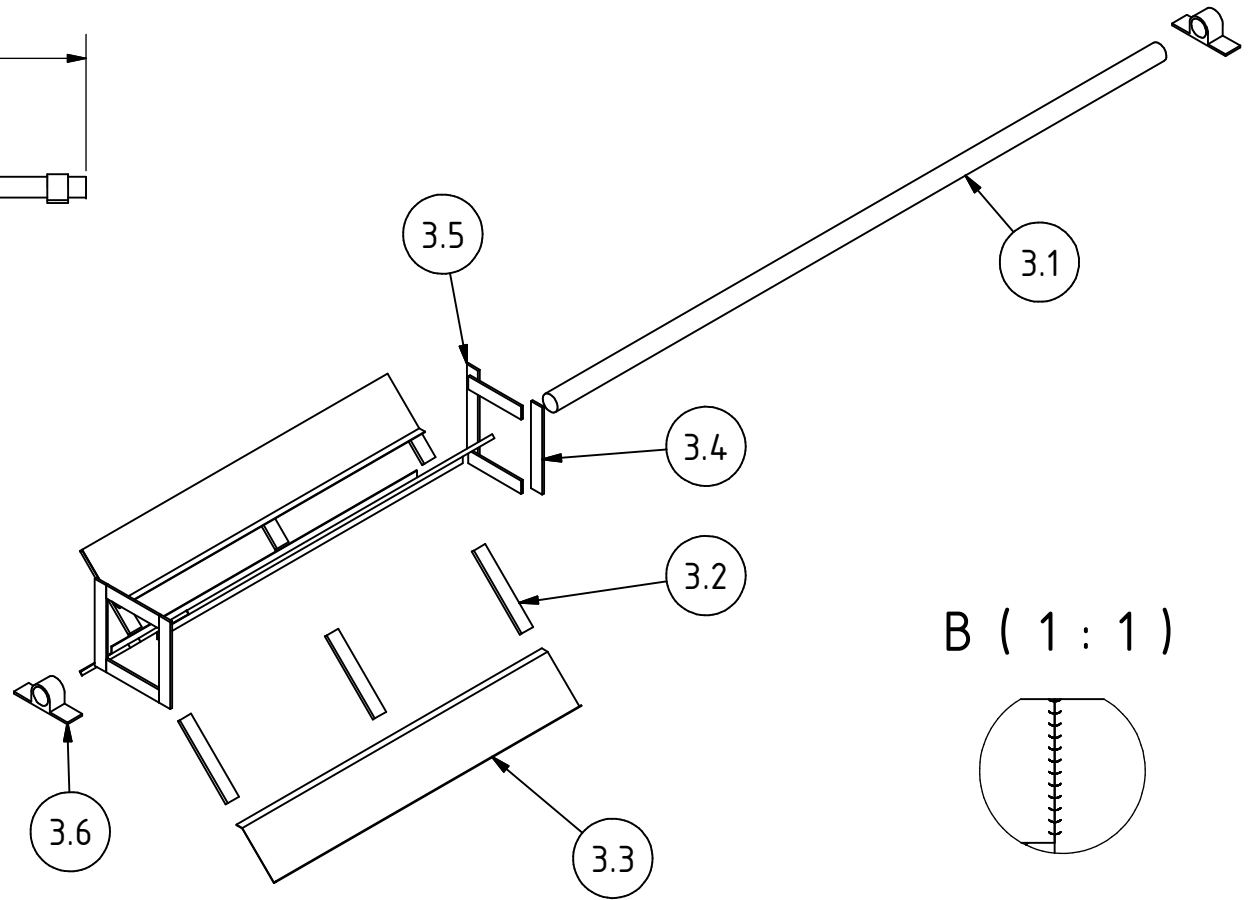
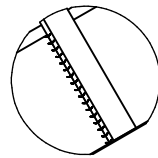


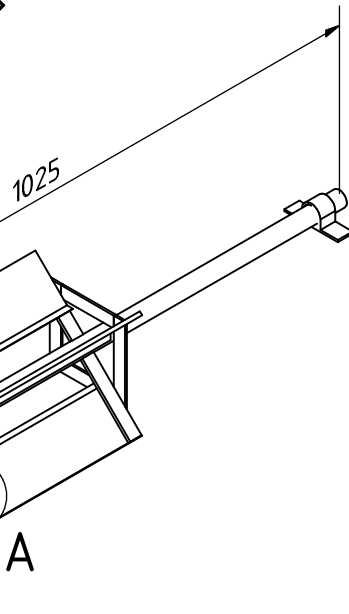
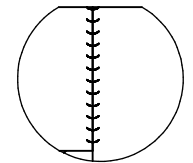
FRONT (1 : 4)



A (0,22 : 1)

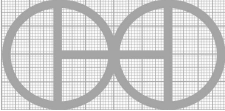


B (1 : 1)



A

All metal parts are welded.
Note: All units in mm.

PROJECT Power Thresher for rice and wheat	CREATED BY J. Zeron	APPROVED BY A. Morillo	DATE 30/08/2021	VERSION 1.0
PART NAME Blower fan	FILE NAME Blower fan.ipn			POS 3.0
DEVELOPED BY	REDESIGNED BY 	DOC. TYPE Assembly	MATERIAL	QUANTITY 1
Practical Action	OHO e.V.	LICENCE CC-BY-SA 4.0	SCALE 1:9	SHEET 21 /43