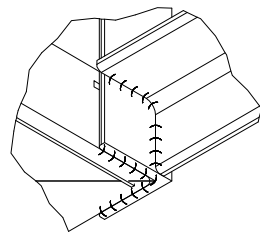
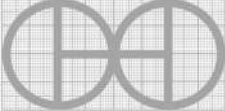


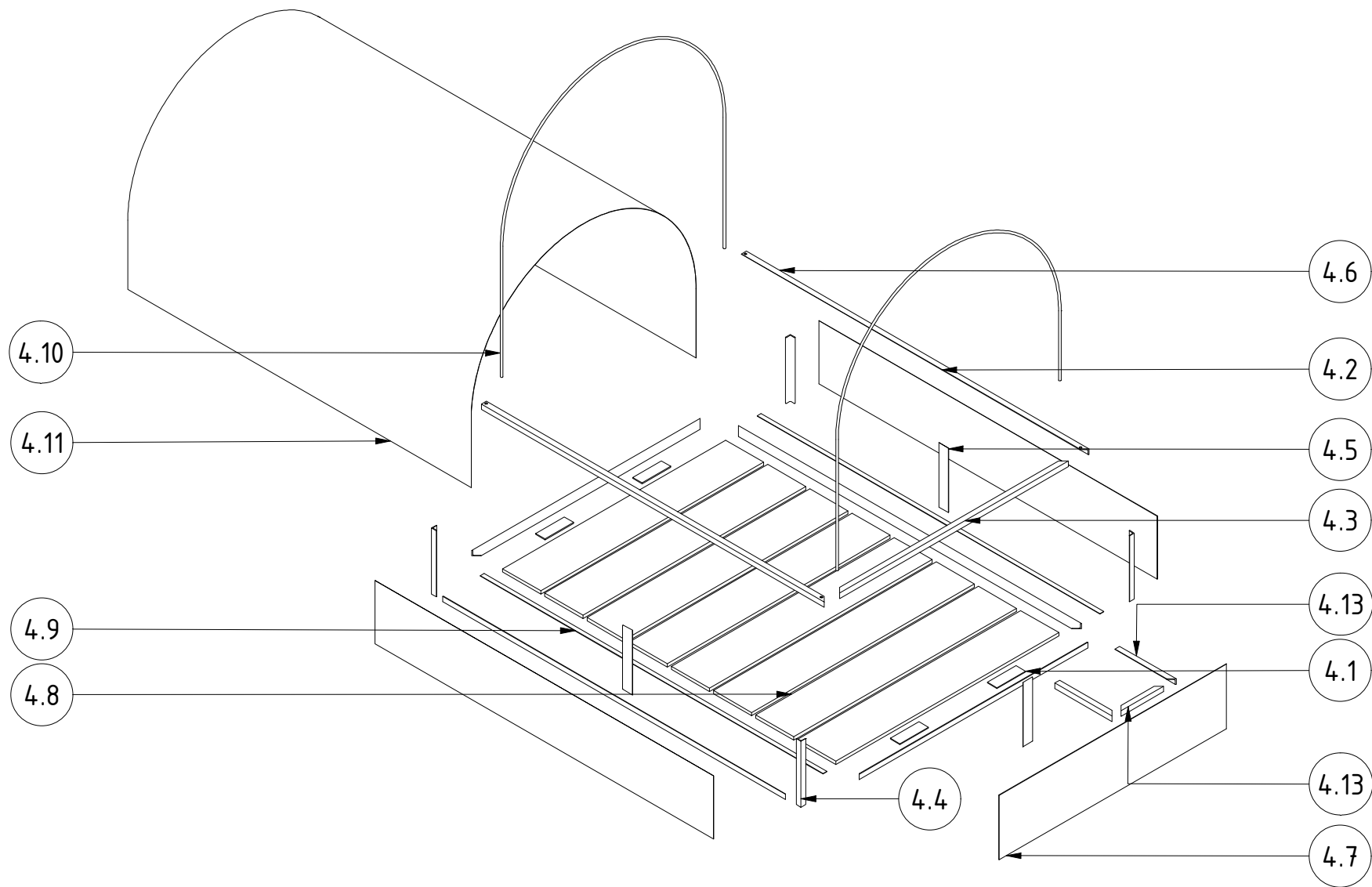
P (1 : 2)

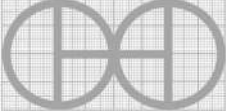


R (1 : 2)

Note: All units in mm.

PROJECT	CREATED BY	APPROVED BY	DATE	VERSION
The donkey cart ambulance	J. Rosciano	A. Morillo	29/07/2021	1.1
PART NAME	FILE NAME			POS
Ambulance conversion	4.0_Ambulance conversion.iam			4.0
DEVELOPED BY	REDESIGNED BY	DOC. TYPE	MATERIAL	QUANTITY
		Assembly		1
Practical Action	OHO e.V.	LICENCE	SCALE	SHEET
		CC-BY-SA 4.0	1/30	26 /37



PROJECT	CREATED BY	APPROVED BY	DATE	VERSION
The donkey cart ambulance	J. Rosciano	A. Morillo	29/07/2021	1.1
PART NAME	FILE NAME			POS
Ambulance conversion	4.0_Ambulance conversion.ipn			4.0
DEVELOPED BY	REDESIGNED BY	DOC. TYPE	MATERIAL	QUANTITY
		Assembly		1
Practical Action	OHO e.V.	LICENCE	SCALE	SHEET
		CC-BY-SA 4.0	1/22	27 /37