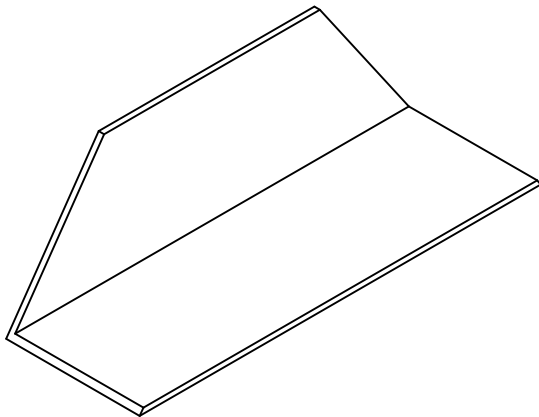
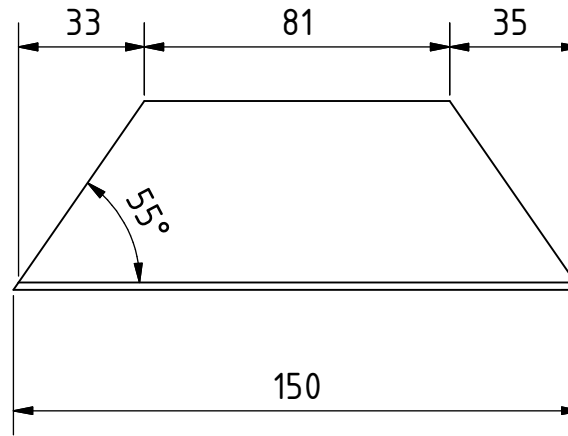
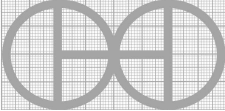


### ELEVATION ( 1 : 2 )



Note: All units in mm.

PROJECT	CREATED BY	APPROVED BY	DATE	VERSION
Donkey Cart Frame	J. Zeron	A. Morillo	31/07/2021	1.0
PART NAME	FILE NAME			POS
Diagonal angle A	Diagonal angle A.ipt			7
DEVELOPED BY	REDESIGNED BY	DOC. TYPE	MATERIAL	QUANTITY
		Part	Steel A36	2
Practical Action	OHO e.V.	LICENCE	SCALE	SHEET
		CC-BY-SA 4.0	1:2	8 /10